

IDS-105G – Industrial Gigabit Switch

5 to 7 Port Compact DIN Rail Switch



- 5 port 10/100/1000Base-T (RJ45)
- 5 port 10/100/1000Base-T (RJ45) with 1 or 2 Gigabit fiber ports (SC/ST/SFP)
- Hazardous Location and Industrial Control Equipment Certification
- Corrosion resistant IP30 aluminum case
- Redundant dual power input 12/24/48 VDC, 18 to 30 VAC
- Overload current and reverse polarity protection
- Industrial operating temperature support up to -40 to 75C

Perle **Industrial-grade Ethernet Switches** are designed for **industrial automation, government, military, oil and gas, mining and outdoor applications.**

The **IDS-105G is a 5 to 7 port Industrial Gigabit Ethernet** switch providing advanced performance enabling real-time deterministic network operation. It requires no configuration and will operate instantly as soon as you power it up.

The IDS-105G which comes in a variety of models with 5 copper ports, 5 copper ports plus 1 fiber port or 5 copper ports plus 2 fiber ports. All are **rugged fanless switches** that are hardened to provide superior reliability in **0 to 60°C**, or harsh extended operating temperatures from **-40 to 75°C**.

Perle has been **designing industrial hardware** for serial ModBus and Profinet to Ethernet conversion environments **for over 35 years** and have used this expertise to design the **toughest Ethernet switches on the market**. Don't trust your critical communications to commercial switch products. Perle Industrial Ethernet switches give you proven assurance that your system will keep running for years to come.

IDS-105G Industrial Gigabit Ethernet Switch Features

Rugged design for harsh environments	<ul style="list-style-type: none"> • Corrosion resistant IP30 aluminum case • UL508A Industrial Control Equipment Safety certified • Hazardous locations - Class1/Div2, ATEX Class1/Zone2
Reliable operation	<ul style="list-style-type: none"> • Fanless, no moving parts • Dual power input. Connect to separate power sources for redundancy. <ul style="list-style-type: none"> ◦ Reverse polarity protection ◦ Overload current protection
Real-time Ethernet performance	<ul style="list-style-type: none"> • Fast wire-speed , store and forward switching, non-blocking architecture • Auto-sensing for speed and duplex • Auto-mdi/mdix-crossover works with straight and crossover cables
Jumbo Frames	Supports Jumbo frames up to 10 KB
Energy Efficient Ethernet (EEE)	Energy Efficient Ethernet (EEE) as per 802.3az. This provides power savings during idle network activity.

Hardware Specifications

Power	
Dual Power Input	<p>Both inputs draw power simultaneously. If one power source fails, the other live source can, acting as a backup, supply enough power to meet the operational needs of the switch.</p> <ul style="list-style-type: none"> • 12/24/48 VDC Nominal.(9.6 to 60 VDC) • 18 to 30 VAC
Power	4-Pin Removable Terminal Block.
Connector	Grounding screw on metal chassis
Maximum Current Consumption @24 vDC	500 mA
Maximum Power Consumption @24 vDC	12.0 Watts
Overload Current Protection	Reset-able fuse provides overload current protection
Reverse polarity protection	The positive and negative inputs can be reversed providing safe and simple power connectivity.
Access Ports	
RJ45	<ul style="list-style-type: none"> • 5 shielded RJ45 ports for 10/100/1000Base-T up to 100 meters (328 ft) • Auto-negotiation • Auto-MDI/MDIX-crossover for use with either crossover over straight-through cable types • Ethernet isolation 1500 V
Small Form Factor Pluggable (SFP) slot(s)	1 or 2 empty SFP slot models for 1000Base-X SFP modules supplied by Perle, Cisco or other manufacturers of MSA compliant SFPs
Fiber port	<p>1 x fixed fiber port Duplex SC or ST connector</p> <ul style="list-style-type: none"> • Multimode 50/125 or 62.5/125 micron fiber cable • Single mode 9/125 micron fiber cable <p>Simplex (BIDI, single strand) SC connector</p> <ul style="list-style-type: none"> • Multimode 50/125 or 62.5/125 micron fiber cable • Single mode 9/125 micron fiber cable <p>PC and UPC type patch cords supported.</p>

Fixed Fiber Port Specs

--

Fiber1 Type	Transmit (dBm)		Receive (dBm)		Power Budget (dB)	Wavelength (nm)	IEEE	Core Size (um)	Modal Bandwidth (MHz *Km)	Maximum Operating Distance
	Min	Max	Min	Max						
MMF (Duplex SC/ST)	-9.5	-4.0	-17.0	-3.0	7.5	850	1000Base-SX	62.5	160	220 m (722 ft)
								62.5	200	275 m (902 ft)
								50	400	500 m (1,640 ft)
								50	500	550 m (1,804 ft)
								50	500	1000 m (3,281 ft)
MMF (Duplex SC/ST)	-6.0	0.0	-17.0	0.0	11.0	1310	1000Base-LX	62.5	160	2 km (1.2 mi)
								50	500	1 km (3,280 ft)
SMF (Duplex SC/ST)	-9.5	-3.0	-20.0	-3.0	10.5	1310	1000Base-LX/LH	9	**	10 km (6.2 mi)
SMF (Simplex SC)	-9.0	-3.0	-20.0	-3.0	11.0	1310 / 1490 1490 / 1310	1000Base-BX-U 1000Base-BX-D	9	**	10 km (6.2 mi)
SMF (Simplex SC)	-8.0	-3.0	-22.0	-3.0	14.0	1310 / 1490 1490 / 1310	1000Base-BX-U 1000Base-BX-D	9	**	20 km (12.4 mi)
SMF (Duplex SC/ST)	-2.0	2.0	-23.0	-3.0	21.0	1310	1000Base-EX	9	**	40 Km (24.9 mi)
SMF (Simplex SC)	-3.0	2.0	-23.0	-3.0	2-0	1310 / 1490 1490 / 1310	1000Base-BX-U 1000Base-BX-D	9	**	40 Km (24.9 mi)

SMF (Duplex SC/ST)	-2.0	5.0	-23.0	-3.0	21.0	1550	1000Base- ZX	9	**	70 Km (43 mi)
SMF (Simplex SC)	-2.0	3.0	-26.0	-3.0	24.0	1510 / 1590 1590 / 1510	1000Base- BX-U 1000Base- BX-D	9	**	80 Km (50 mi)
SMF (Duplex SC/ST)	0.0	5.0	-32.0	-9.0	32.0	1550	1000Base- ZX	9	**	120 Km (74.6 mi)
SMF (Simplex SC)	-3.0	2.0	-34.0	-9.0	31.0	1510 / 1590 1590 / 1510	1000Base- BX-U 1000Base- BX-D	9	**	120 Km (74.6 mi)
SMF (Duplex SC/ST)	2.0	5.0	-34.0	-9.0	36.0	1550	1000Base- ZX	9	**	160 Km (100 mi)

* 1db/km multimode fiber cable

** as per ITU-T G.652 SMF specifications

Switch Properties

Standards	<ul style="list-style-type: none"> • IEEE 802.3 for 10Base-T • IEEE 802.3u for 100Base-TX and 100Base-FX • IEEE 802.3ab for 1000Base-T • Energy Efficient Ethernet (EEE) as per 802.3az. • IEEE 802.3x for Flow Control
Processing Type	Store and Forward, non-blocking architecture
MAC Address Table Size	8K
Packet Buffer Memory	1 Mbit
Jumbo Frame Size	10 KB
Indicators	
P1	This green LED is turned on when power is applied to the power #1 input
P2	This green LED is turned on when power is applied to the power #2 input

RJ45 Ethernet	These integrated colored LEDs indicate link, activity and speed for each port.
Fiber Link	Fiber link LED indicates Link and Data Activity
Environmental Specifications	
Operating Temperature Ranges	<ul style="list-style-type: none"> • Standard temperature models : 0°C to 60°C (32°F to 140°F). • Industrial extended temperature models : -40°C to 75°C (-40 F to 167°F)
Storage Temperature Range	Minimum range of -25°C to 70°C (-13°F to 158°F). -40°C to 85°C (-40°F to 185°F) for industrial extended temperature models
Operating Humidity Range	5% to 90% non-condensing
Storage Humidity Range	5% to 95% non-condensing
Operating Altitude	Up to 3,048 meters (10,000 feet)
Chassis	Aluminum with an IP30 ingress protection rating
Din Rail Mountable	DIN Rail attachment included. Mounts to standard 35 mm DIN rail in accordance with DIN EN 60175. Removable to accommodate optional Panel/Wall mount kit
Maximum Heat Output	41 BTU/Hr
MTBF	696,618 hours (without fiber module) 522,423 (with fixed fiber module) 489,383 hours (with 1 SFP slot) 385,036 hours (with 2 SFP slots) <i>MTBF Calculation model based on MIL-HDBK-217-FN2 @ 30 °C</i>
Product Weight and Dimensions	
Weight	0.32 Kg, 0.7 lbs
Dimensions (W x H x D)	35.5 x 111 x 138 mm, 1.39 x 4.37 x 5.43 inches
Packaging	
Shipping Weight	0.47 Kg, 1.04 lbs
Shipping Dimensions	170 x 260 x 70 mm, 6.69 x 10.24 x 2.76 inches

Contents Shipped	<ul style="list-style-type: none"> • Industrial Ethernet Switch with DIN Rail attachment • Terminal block • Installation guide
Standards and Certifications	
Safety	<ul style="list-style-type: none"> • UL/EN/IEC 62368-1 • CAN/CSA C22.2 No. 62368-1 • UL 60950-1 • CSA C22.2 No. 60950-1 • IEC 60950-1:2005+A1:2009 and • EN 60950-1:2006+A11:2009+A1:2010+A12:2011 • CE Mark • UL508 (Industrial)
EMC Emissions	<ul style="list-style-type: none"> • FCC 47 Part 15 Class B • ICES-0003 • CISPR 22:2008/EN55022:2010 (Class B) • EN61000-6-4
EMC and Immunity	<ul style="list-style-type: none"> • CISPR 24:2010/EN 55024:2010 • IEC/EN 61000-4-2 (ESD) : Contact discharge +/- 6kV, Air Discharge +/- 8kV • IEC/EN 61000-4-3 (RS) : 80 MHz to 2.7 Ghz ; 10V/m, 800 MHz to 1000 MHz; 20V/m • IEC/EN 61000-4-4 (EFT) : DC power line +/- 2 kV, Data Line +/- 2kV • IEC/EN 61000-4-5 (Surge) : DC power line, Line/Line +/- 1kV, Line/Earth +/- 2kV, Data Line line/earth +/- 1kV • IEC/EN 61000-4-6 (CS) : 150kHz to 80 MHz; 10V • IEC/EN 61000-4-8 : (Magnetic Field): 30A/m • IEC/EN 61000-6-2 (General Immunity in Industrial Environments)
Industrial Safety	<ul style="list-style-type: none"> • UL508 (Safety standard for Industrial Control Equipment) • CSA C22.2 No. 142
Hazardous Locations (Hazloc)	<ul style="list-style-type: none"> • ANSI/ISA 12.12.01, Class I Division 2 Groups A-D (formerly known as UL 1604) • CSA C22.2 No. 213 • ATEX Class I Zone 2, EN60079-0, 15
Laser Safety	<ul style="list-style-type: none"> • EN 60825-1 • Fiber optic transmitters on this device meet Class 1 Laser safety requirements per IEC-60825 FDA/CDRH standards and comply with 21CFR1040.10 and 21CFR1040.11.

Environmental	Reach, RoHS and WEEE Compliant
Other	<ul style="list-style-type: none"> ECCN: 5A991 HTSUS Number: 8517.62.0020 5 year Warranty

Select a Model to obtain a Part Number – IDS-105G

Operating Temperature (Std) = 0°C to 60°C (32°F to 140°F). All Models have 5 x 10/100/1000Base-T (RJ45) Connectors									
Model	Choose your Fiber Connection from the table below 1000Base-X Duplex Fiber								
	Fiber Connector	Transmit (dBm)		Receive (dBm)		Power Budget (dB)	Wavelength (nm)	Fiber Type	Operating Distance
		Min	Max	Min	Max				
IDS-105G	No Fiber connection								
IDS-105G-SFP	1 x SFP slot (empty)	Fiber specifications are dependent upon the choice of SFP used							
IDS-105G-DSFP	2 x SFP slot (empty)	Fiber specifications are dependent upon the choice of SFP used							
IDS-105G-M2SC05	1 x Duplex SC	-9.5	-4.0	-17.0	-3.0	7.5	850	MMF	550 m (1,804 ft)
IDS-105G-M2ST05	1 x Duplex ST	-9.5	-4.0	-17.0	-3.0	7.5	850	MMF	550 m (1,804 ft)
IDS-105G-M2SC2	1 x Duplex SC	-6.0	0.0	-17.0	0.0	11.0	1310	MMF	2 km (1.2 mi)
IDS-105G-M2ST2	1 x Duplex ST	-6.0	0.0	-17.0	0.0	11.0	1310	MMF	2 km (1.2 mi)
IDS-105G-S2SC10	1 x Duplex SC	-9.5	-3.0	-20.0	-3.0	10.5	1310	SMF	10 km (6.2 mi)
IDS-105G-S2ST10	1 x Duplex ST	-9.5	-3.0	-20.0	-3.0	10.5	1310	SMF	10 km (6.2 mi)
IDS-105G-S2SC40	1 x Duplex SC	-2.0	2.0	-23.0	-3.0	21.0	1310	SMF	40 km (24.9 mi)
IDS-105G-S2ST40	1 x Duplex ST	-2.0	2.0	-23.0	-3.0	21.0	1310	SMF	40 km (24.9 mi)
IDS-105G-S2SC70	1 x Duplex SC	-2.0	5.0	-23.0	-3.0	21.0	1550	SMF	70 km (43 mi)
IDS-105G-S2ST70	1 x Duplex ST	-2.0	5.0	-23.0	-3.0	21.0	1550	SMF	70 km (43 mi)
IDS-105G-S2SC120	1 x Duplex SC	0.0	5.0	-32.0	-9.0	32.0	1550	SMF	120 km (74.6 mi)
IDS-105G-S2ST120	1 x Duplex ST	0.0	5.0	-32.0	-9.0	32.0	1550	SMF	120 km (74.6 mi)
IDS-105G-S2SC160	1 x Duplex SC	2.0	5.0	-34.0	-9.0	36.0	1550	SMF	160 km (100 mi)
IDS-105G-S2ST160	1 x Duplex ST	2.0	5.0	-34.0	-9.0	36.0	1550	SMF	160 km (100 mi)

Operating Temperature (Ind) = -40°C to 75°C (-40 F to 167°F)
All Models have 5 x 10/100/1000Base-T (RJ45) Connectors

Model	Choose your Fiber Connection from the table below 1000Base-X Duplex Fiber									
	Fiber Connector	Transmit (dBm)		Receive (dBm)		Power Budget (dB)	Wavelength (nm)	Fiber Type	Operating Distance	
		Min	Max	Min	Max					
IDS-105G-SFP-XT	1 x SFP slot (empty)	Fiber specifications are dependent upon the choice of SFP used								
IDS-105G-DSFP-XT	2 x SFP slot (empty)	Fiber specifications are dependent upon the choice of SFP used								
IDS-105G-M2SC05-XT	1 x Duplex SC	-9.5	-4.0	-17.0	-3.0	7.5	850	MMF	550 m (1,804 ft)	
IDS-105G-M2ST05-XT	1 x Duplex ST	-9.5	-4.0	-17.0	-3.0	7.5	850	MMF	550 m (1,804 ft)	
IDS-105G-S2SC10-XT	1 x Duplex SC	-9.5	-3.0	-20.0	-3.0	10.5	1310	SMF	10 km (6.2 mi)	
IDS-105G-S2ST10-XT	1 x Duplex ST	-9.5	-3.0	-20.0	-3.0	10.5	1310	SMF	10 km (6.2 mi)	

* 1db/km multimode 50/125 micron fiber cable

Single Fiber (Simplex / BiDi) Models Recommended use in pairs

Operating Temperature (Std) = 0°C to 60°C (32°F to 140°F). All Models have 5 x 10/100/1000Base-T (RJ45) Connectors									
Model	Choose your Fiber Connection from the table below 1000Base-X Simplex (BiDi) Fiber								
	Fiber Connector	Transmit (dBm)		Receive (dBm)		Power Budget (dB)	Wavelength (nm) TX / RX	Fiber Type	Operating Distance
		Min	Max	Min	Max				
IDS-105G-S1SC10U	1 x Simplex SC	-9.0	-3.0	-20.0	-3.0	11.0	1310 / 1490	SMF	10 km (6.2 mi)
IDS-105G-S1SC10D	1 x Simplex SC	-9.0	-3.0	-20.0	-3.0	11.0	1490 / 1310	SMF	10 km (6.2 mi)
IDS-105G-S1SC20U	1 x Simplex SC	-8.0	-3.0	-22.0	-3.0	14.0	1310 / 1490	SMF	20 km (12.4 mi)
IDS-105G-S1SC20D	1 x Simplex SC	-8.0	-3.0	-22.0	-3.0	14.0	1490 / 1310	SMF	20 km (12.4 mi)
IDS-105G-S1SC40U	1 x Simplex SC	-3.0	2.0	-23.0	-3.0	20.0	1310 / 1490	SMF	40 km (24.9 mi)
IDS-105G-S1SC40D	1 x Simplex SC	-3.0	2.0	-23.0	-3.0	20.0	1490 / 1310	SMF	40 km (25 mi)
IDS-105G-S1SC80U	1 x Simplex SC	-2.0	3.0	-26.0	-3.0	24.0	1510 / 1590	SMF	80 km (50 mi)
IDS-105G-S1SC80D	1 x Simplex SC	-2.0	3.0	-26.0	-3.0	24.0	1590 / 1510	SMF	80 km (50 mi)
IDS-105G-S1SC120U	1 x Simplex SC	-3.0	2.0	-34.0	-9.0	31.0	1510 / 1590	SMF	120 km (74.6 mi)
IDS-105G-S1SC120D	1 x Simplex SC	-3.0	2.0	-34.0	-9.0	31.0	1590 / 1510	SMF	120 km (74.6 mi)

Operating Temperature (Ind) = -40°C to 75°C (-40 F to 167°F)
All Models have 5 x 10/100/1000Base-T (RJ45) Connectors

Model	Choose your Fiber Connection from the table below 1000Base-X Simplex (BiDi) Fiber								
	Fiber Connector	Transmit (dBm)		Receive (dBm)		Power Budget (dB)	Wavelength (nm) TX / RX	Fiber Type	Operating Distance
		Min	Max	Min	Max				
IDS-105G-S1SC10U-XT	1 x Simplex SC	-9.0	-3.0	-20.0	-3.0	11.0	1310 / 1490	SMF	10 km (6.2 mi)
IDS-105G-S1SC10D-XT	1 x Simplex SC	-9.0	-3.0	-20.0	-3.0	11.0	1490 / 1310	SMF	10 km (6.2 mi)

Industrial Ethernet Switch Accessories	
Panel Mount kit PM3	Brackets for attaching 30 to 45 mm wide Perle IDS industrial switches inside a control panel or to a wall for wall.
Rack Mount Kit RM4U	Bracket for mounting one or more Perle DIN Rail switches in a standard 19" rack. Occupies "4U" of vertical rack space. 275 mm (10 inches) deep
UNO-PS/1AC/24DC/60W DIN-Rail Power Supply	UNO-PS/1AC/24DC/60W DIN-Rail Power Supply: 24 VDC, 60 Watt with universal 85 to 264 VAC, -25 to 70°C extended operating temperature. Power Supply Specifications.
UNO-PS/1AC/24DC/150W Power Supply	UNO-PS/1AC/24DC/150W Power Supply - DIN-Rail 24 VDC , 150 Watt power supply with universal 85 to 264 VAC, -25 to 70°C extended operating temperature. Power Supply Specifications.

Application Diagrams

IDS-105G with Standard DIN Rail

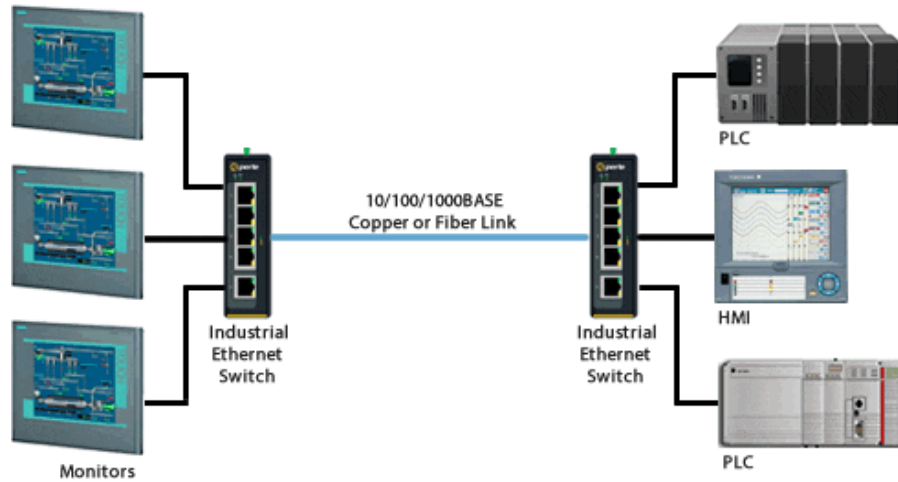
Click on image to see larger version

IDS-105G with Optional Wall/Panel Mount Brackets

Click on image to see larger version

Application Diagrams

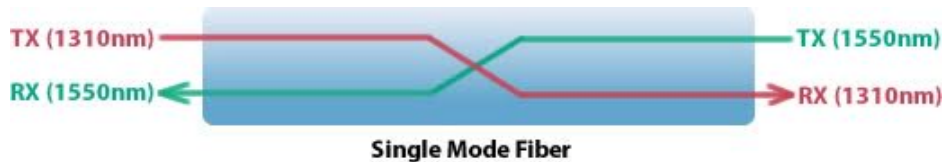
IDS-105G Industrial Gigabit Switch Diagram



Single Mode / Single Strand (WDM) Fiber

Connecting devices over a single fiber strand (also referred to as “Bi-Directional” BiDi or Simplex)

To reduce costs, or where there are limits on available fiber, Wavelength-Division Multiplexing (WDM) technology may be utilized. WDM uses separate transmit and receive frequencies to communicate on a single fiber strand. WDM technology relies on the fact that optical fibers can carry many wavelengths of light simultaneously without interaction between each wavelength. Thus, a single fiber can carry many separate wavelength signals or channels simultaneously. WDM systems are divided into different wavelength patterns, conventional/coarse (CWDM) and dense (DWDM).



When Single Strand fiber is used, you will need an “Up” side and a “Down” side when interconnecting fiber devices.

Perle offers a wide variety of Single Fiber (“Up/Down”) **Ethernet Switches** and **Media Converters** for use with single strand of fiber.

Product List



IDS-105G - Industrial Ethernet Switch - 5 x 10/100/1000Base-T RJ-45 ports. 0 to 60C operating temperature.

Power Cord & Part Number(s)

None

07010810



IDS-105G-M2SC05 - Industrial Ethernet Switch - 5 x 10/100/1000Base-T RJ-45 ports and 1 x 1000Base-SX, 850nm multimode port with duplex SC connector [550m/1804 ft]. 0 to 60C operating temperature.

Power Cord & Part Number(s)

None

07010820



IDS-105G-M2ST05 - Industrial Ethernet Switch - 5 x 10/100/1000Base-T RJ-45 ports and 1 x 1000Base-SX, 850nm multimode port with duplex ST connector [550m/1804 ft]. 0 to 60C operating temperature.

Power Cord & Part Number(s)

None

07010830



IDS-105G-M2SC2 - Industrial Ethernet Switch - 5 x 10/100/1000Base-T RJ-45 ports and 1 x 1000Base-SX, 1310nm extended multimode port with duplex SC connector [2km/1.2 miles]. 0 to 60C operating temperature.

Power Cord & Part Number(s)

None

07010840



IDS-105G-M2ST2 - Industrial Ethernet Switch - 5 x 10/100/1000Base-T RJ-45 ports and 1 x 1000Base-SX, 1310nm extended multimode port with duplex ST connector [2km/1.2 miles]. 0 to 60C operating temperature.

Power Cord & Part Number(s)

None

07010850



IDS-105G-S2SC10 - Industrial Ethernet Switch - 5 x 10/100/1000Base-T RJ-45 ports and 1 x 1000Base-LX/LH, 1310nm single mode port with duplex SC connector [10 km/ 6.2 miles]. 0 to 60C operating temperature.

Power Cord & Part Number(s)

None

07010860



IDS-105G-S2ST10 - Industrial Ethernet Switch - 5 x 10/100/1000Base-T RJ-45 ports and 1 x 1000Base-LX/LH, 1310nm single mode port with duplex ST connector [10 km/ 6.2 miles]. 0 to 60C operating temperature.

Power Cord & Part Number(s)

None

07010870



IDS-105G-S2SC40 - Industrial Ethernet Switch - 5 x 10/100/1000Base-T RJ-45 ports and 1 x 1000Base-EX, 1310nm single mode port with duplex SC connector [40 km/ 24.9 miles]. 0 to 60C operating temperature.

Power Cord & Part Number(s)

None

07010880



IDS-105G-S2ST40 - Industrial Ethernet Switch - 5 x 10/100/1000Base-T RJ-45 ports and 1 x 1000Base-EX, 1310nm single mode port with duplex ST connector [40 km/ 24.9 miles]. 0 to 60C operating temperature.

Power Cord & Part Number(s)

None

07010890



IDS-105G-S2SC70 - Industrial Ethernet Switch - 5 x 10/100/1000Base-T RJ-45 ports and 1 x 1000Base-ZX, 1550nm single mode port with duplex SC connector [70 km/ 43.5 miles]. 0 to 60C operating temperature.

Power Cord & Part Number(s)

None

07010900



IDS-105G-S2ST70 - Industrial Ethernet Switch - 5 x 10/100/1000Base-T RJ-45 ports and 1 x 1000Base-ZX, 1550nm single mode port with duplex ST connector [70 km/ 43.5 miles]. 0 to 60C operating temperature.

Power Cord & Part Number(s)

None

07010910



IDS-105G-S2SC120 - Industrial Ethernet Switch - 5 x 10/100/1000Base-T RJ-45 ports and 1 x 1000Base-ZX, 1550nm single mode port with duplex SC connector [120 km/ 74.6 miles]. 0 to 60C operating temperature.

Power Cord & Part Number(s)

None

07010920



IDS-105G-S2ST120 - Industrial Ethernet Switch - 5 x 10/100/1000Base-T RJ-45 ports and 1 x 1000Base-ZX, 1550nm single mode port with duplex ST connector [120 km/ 74.6 miles]. 0 to 60C operating temperature.

Power Cord & Part Number(s)

None

07010930



IDS-105G-S2SC160 - Industrial Ethernet Switch - 5 x 10/100/1000Base-T RJ-45 ports and 1 x 1000Base-ZX, 1550nm single mode port with duplex SC connector [160 km/ 100 miles]. 0 to 60C operating temperature.

Power Cord & Part Number(s)

None

07010940



IDS-105G-S2ST160 - Industrial Ethernet Switch - 5 x 10/100/1000Base-T RJ-45 ports and 1 x 1000Base-ZX, 1550nm single mode port with duplex ST connector [160 km/ 100 miles]. 0 to 60C operating temperature.

Power Cord & Part Number(s)

None

07010950



IDS-105G-S1SC10U - Industrial Ethernet Switch - 5 x 10/100/1000Base-T RJ-45 ports and 1 x 1000Base-BX, 1310nm TX / 1490nm RX single strand single mode port with simplex (BIDI) SC connector [10km/6.2 miles]. 0 to 60C operating temperature

Power Cord & Part Number(s)

None

07010960



IDS-105G-S1SC10D - Industrial Ethernet Switch - 5 x 10/100/1000Base-T RJ-45 ports and 1 x 1000Base-BX, 1490nm TX / 1310nm RX single strand single mode port with simplex (BIDI) SC connector [10km/6.2 miles]. 0 to 60C operating temperature

Power Cord & Part Number(s)

None

07010970



IDS-105G-S1SC20U - Industrial Ethernet Switch - 5 x 10/100/1000Base-T RJ-45 ports and 1 x 1000Base-BX, 1310nm TX / 1490nm RX single strand single mode port with simplex (BIDI) SC connector [20km/12.4 miles]. 0 to 60C operating temperature

Power Cord & Part Number(s)

None

07010980



IDS-105G-S1SC20D - Industrial Ethernet Switch - 5 x 10/100/1000Base-T RJ-45 ports and 1 x 1000Base-BX, 1490nm TX / 1310nm RX single strand single mode port with simplex (BIDI) SC connector [20km/12.4 miles]. 0 to 60C operating temperature

Power Cord & Part Number(s)

None

07010990



IDS-105G-S1SC40U - Industrial Ethernet Switch - 5 x 10/100/1000Base-T RJ-45 ports and 1 x 1000Base-BX, 1310nm TX / 1490nm RX single strand single mode port with simplex (BIDI) SC connector [40km/24.9 miles]. 0 to 60C operating temperature

Power Cord & Part Number(s)

None

07011000



IDS-105G-S1SC40D - Industrial Ethernet Switch - 5 x 10/100/1000Base-T RJ-45 ports and 1 x 1000Base-BX, 1490nm TX / 1310nm RX single strand single mode port with simplex (BIDI) SC connector [40km/24.9 miles]. 0 to 60C operating temperature

Power Cord & Part Number(s)

None

07011010



IDS-105G-S1SC80U - Industrial Ethernet Switch - 5 x 10/100/1000Base-T RJ-45 ports and 1 x 1000Base-BX, 1510nm TX / 1590nm RX single strand single mode port with simplex (BIDI) SC connector [80km/49.7 miles]. 0 to 60C operating temperature

Power Cord & Part Number(s)

None

07011020



IDS-105G-S1SC80D - Industrial Ethernet Switch - 5 x 10/100/1000Base-T RJ-45 ports and 1 x 1000Base-BX, 1590nm TX / 1510nm RX single strand single mode port with simplex (BIDI) SC connector [80km/49.7miles]. 0 to 60C operating temperature

Power Cord & Part Number(s)

None

07011030



IDS-105G-S1SC120U - Industrial Ethernet Switch - 5 x 10/100/1000Base-T RJ-45 ports and 1 x 1000Base-BX, 1510nm TX / 1590nm RX single strand single mode port with simplex (BIDI) SC connector [120km/74.6 miles]. 0 to 60C operating temperature

Power Cord & Part Number(s)

None

07011040



IDS-105G-S1SC120D - Industrial Ethernet Switch - 5 x 10/100/1000Base-T RJ-45 ports and 1 x 1000Base-BX, 1590nm TX / 1510nm RX single strand single mode port with simplex (BIDI) SC connector [120km/74.6 miles]. 0 to 60C operating temperature

Power Cord & Part Number(s)

None

07011050



IDS-105G-M2SC05-XT - Industrial Ethernet Switch - 5 x 10/100/1000Base-T RJ-45 ports and 1 x 1000Base-SX, 850nm multimode port with duplex SC connector [550m/1804 ft].-40 to 75C industrial extended operating temperature.

Power Cord & Part Number(s)

None

07011070



IDS-105G-M2ST05-XT - Industrial Ethernet Switch - 5 x 10/100/1000Base-T RJ-45 ports and 1 x 1000Base-SX, 850nm multimode port with duplex ST connector [550m/1804 ft]. -40 to 75C industrial extended operating temperature.

Power Cord & Part Number(s)

None

07011080



IDS-105G-S2SC10-XT - Industrial Ethernet Switch - 5 x 10/100/1000Base-T RJ-45 ports and 1 x 1000Base-LX/LH, 1310nm single mode port with duplex SC connector [10 km/ 6.2 miles]. -40 to 75C industrial extended operating temperature.

Power Cord & Part Number(s)

None

07011090



IDS-105G-S2ST10-XT - Industrial Ethernet Switch - 5 x 10/100/1000Base-T RJ-45 ports and 1 x 1000Base-LX/LH, 1310nm single mode port with duplex ST connector [10 km/ 6.2 miles]. -40 to 75C industrial extended operating temperature.

Power Cord & Part Number(s)

None

07011100



IDS-105G-S1SC10U-XT - Industrial Ethernet Switch - 5 x 10/100/1000Base-T RJ-45 ports and 1 x 1000Base-BX, 1310nm TX / 1490nm RX single strand single mode port with simplex (BIDI) SC connector [10km/6.2 miles]. -40 to 75C industrial extended operating temperature.

Power Cord & Part Number(s)

None

07011110



IDS-105G-S1SC10D-XT - Industrial Ethernet Switch - 5 x 10/100/1000Base-T RJ-45 ports and 1 x 1000Base-BX, 1490nm TX / 1310nm RX single strand single mode port with simplex (BIDI) SC connector [10km/6.2 miles]. -40 to 75C industrial extended operating temperature.

Power Cord & Part Number(s)

None

07011120



IDS-105G-SFP - Industrial Ethernet Switch - 5 x 10/100/1000Base-T RJ-45 ports and 1 x 1000Base-X SFP slot (empty). 0 to 60C operating temperature.

Power Cord & Part Number(s)

None

07011130



IDS-105G-DSFP - Industrial Ethernet Switch - 5 x 10/100/1000Base-T RJ-45 ports and 2 x 1000Base-X SFP slots (empty). 0 to 60C operating temperature.

Power Cord & Part Number(s)

None

07011140



IDS-105G-SFP-XT - Industrial Ethernet Switch - 5 x 10/100/1000Base-T RJ-45 ports and 1 x 1000Base-X SFP slot (empty). -40 to 75C industrial extended operating temperature.

Power Cord & Part Number(s)

None

07011150



IDS-105G-DSFP-XT - Industrial Ethernet Switch - 5 x 10/100/1000Base-T RJ-45 ports and 2 x 1000Base-X SFP slots (empty). -40 to 75C industrial extended operating temperature.

Power Cord & Part Number(s)

None

07011160

Related Accessories



Panel Mount Kit PM3 - Brackets for wall or panel mounting 30 to 45mm wide Perle IDS Industrial Switches and IRG5000 LTE Routers.

Model

Panel Mount Kit PM3

Part Number

07010290



Rack Mount Kit RM4U - 4U Rack mount for mounting DIN Rail products to a 19 inch rack.

Model

Rack Mount Kit RM4U

Part Number

07010300



UNO-PS/1AC/24DC/60W DIN-Rail Power Supply: 24 VDC, 60 Watt with universal 85 to 264 VAC, -25 to 70°C extended operating temperature.

Model

UNO-PS/1AC/24DC/60W Power Supply

Part Number

29029928



UNO-PS/1AC/24DC/150W Power Supply - DIN-Rail 24 VDC , 150 Watt power supply with universal 85 to 264 VAC, -25 to 70°C extended operating temperature

Model

UNO-PS/1AC/24DC/150W Power Supply

Part Number

29043768