

Quick
ALLNET PoE Display

Product No.: 10 inch (215110), 12 inch (219234), 14 inch (218414), 15 inch (219236), 18 inch (219232), 21 inch (219233)

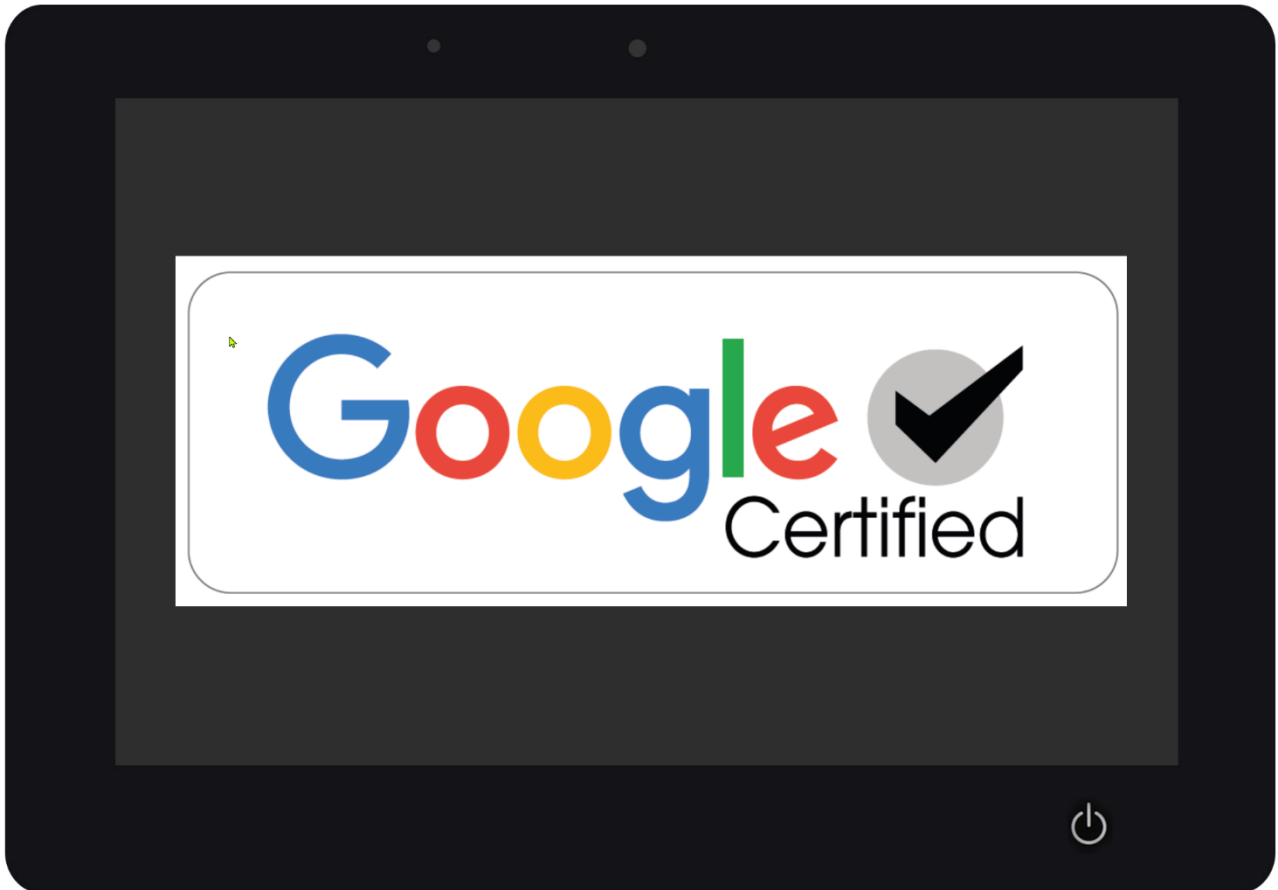


Table of contents

Package Contents	3
General	3
Target group of the user manual	3
Conventions and symbols	3
Chapter title	3
Warnings	4
Guidelines and standards	5
Disposal of packaging	6
Ordinance	6
Disposal of the device	6
General Security	7
Safety instructions for handling the plug-in power supply	7
Safety instructions for the installation of the device	8
Safety instructions for the operation of the device	8
Safety Notice for Repair and Maintenance	9
Intended use	10
Operating requirements	10
Frequencies	10
Technical details	11
PoE Power Supply	12
Dimensions	13
Service	8
CE	30

Package Contents

Please check the contents of the packaging before proceeding with the commissioning of the display.

- ALLNET PoE Display with Stand
- 12V power supply
- Printed Quick Start Guide

General

The device is a display that can be operated with Android or Linux. The power supply is via power supply or PoE (power via network cable). Changes to the operating instructions and the functions described are possible at any time and do not require the consent of third parties and are also not covered by the warranty. If you have any questions about specific features, please contact our sales department.

Target group of the user manual

The user manual is intended for any person who uses the device.

- ,
- served
- cleans or
- Disposed.

Conventions and symbols

The following text formats are used in this guide. These serve to increase the clarity of the instructions.

Chapter title

Subheading

Plain text

Important information in simple text

Refers to buttons, components, functions

Warnings

The warnings in this instruction manual are structured according to the following scheme:



The signal word "**DANGER**" indicates a warning of imminent danger to life!



The signal word "**WARNING**" indicates a warning of possible danger to life and/or serious irreversible injury!



The signal word "**CAUTION**" indicates a warning of possible medium and/or minor injuries!



The signal word "**ATTENTION**" indicates possible property damage.



"**Notice**" indicates useful or important information about the product.

Guidelines and standards



This device complies with the following guidelines:

EMC Directive 2014/30/EU

Radio Equipment Directive 2014/53/EU

Eco-Design Directive 2009/125/EC

RoHS Directive 2011/65/EU.

ALLNET Computersysteme GmbH hereby declares that the ALLNET PoE displays are manufactured in accordance with the essential requirements and the other relevant provisions of the following Directives and Directive 2014/53/EU.

The full text of the EU Declaration of Conformity is available at the following internet address: <http://ce.allnet.de> and at the end of the guidance.



• **EMC Directive 2014/30/EU**

• **Radio Equipment Directive 2014/53/EU**

• **Eco-Design Directive 2009/125/EC**

• **RoHS Directive 2011/65/EU.**

ALLNET Computersysteme GmbH hereby declares that the ALLNET PoE Displays is in compliance with the essential requirements and other relevant provisions of the following Directives and Directive 2014/53/EU.

The full text of the EU Declaration of Conformity is available at the following Internet address: <http://ce.allnet.de> and at the end of the instructions.

EU contact details:

ALLNET GmbH Computersysteme Maistrasse 2 82110 Germering

Phone +49 (0)89 894 222 - 22

Fax +49 (0)89 894 222 - 33

Email: info@allnet.de

Disposal of packaging

DANGER

Choking hazard from films and other packaging materials. Do not leave the packaging and its parts to children. Dispose of the packaging in an environmentally friendly manner. Ask the retailer or the municipal waste disposal facility about the possibilities of environmentally friendly and proper disposal of the packaging.

Ordinance

This product contains the following materials:
Outer packaging: Cardboard PP02
Innverpackung: Polyethylen PE04
Material: Paper

Disposal of the device



Old appliances are not worthless waste. Valuable raw materials can be recovered through environmentally friendly disposal. This equipment is labelled in accordance with Directive 2012/19/EU on waste electrical and electronic equipment (WEEE). This product must not be disposed of with normal household waste at the end of its life, but must be handed in at a collection point for the recycling of electrical and electronic equipment. The symbol on the product, the instructions for use or the packaging indicates this. The materials are recyclable according to their labelling. The reuse, material recycling or other forms of recycling of old appliances make an important contribution to the protection of the environment. Ask the dealer or the municipal waste disposal facility about the possibilities of environmentally friendly and proper disposal of the device.



As a consumer, you are obliged to hand in all batteries and rechargeable batteries, regardless of whether they contain harmful substances or not, to a collection point in your municipality/district or to retailers so that they can be disposed of in an environmentally friendly manner.

NOTICE

Permanently installed portable batteries or rechargeable batteries may remain in the device when disposed of at the collection point.

General Security

RISK

The product is intended exclusively for the intended purpose. Use the item only as described in the user manual. Any other use is considered not intended and may result in property damage.




The manufacturer or distributor assumes no liability for damage caused by improper or incorrect use. All safety instructions should be read carefully and this instruction manual should be kept for later questions. All warnings and instructions in this instruction manual must be followed.

Keep the instruction manual and hand it over to a possible new owner.

DANGER

Safety instructions for handling the plug-in power supply

The plug-in power supply may only be connected to a **mains voltage of 100-240 V~, 50/60 Hz**. Never operate the plug-in power supply with a different voltage.

-  RISK Only use power adapters that are approved for this device.
- Do not connect the plug-in power adapter until the installation has been completed in accordance with the regulations.
-  RISK Only connect the device to a properly installed and grounded mains socket connect. The mains voltage must match the information on the type plate of the device.
- The socket should be as close as possible to the device.
- Avoid using multiple sockets. Make sure that the power cord or plug is always easily accessible so that the device can be quickly disconnected from the power supply.
- Route the power cord so that no one can trip over it.
- Plug the plug-in power supply completely into the socket.
-  WARNING Do not handle the plug-in power supply with wet hands, risk of electrical damage Blow.
- If the plug-in power supply is defective or if the device is otherwise damaged, it must not be put into operation.
- Do not pull the plug-in power adapter out of the socket by the cable.
- The device remains connected to the mains even when switched off. Pull the plug-in power adapter out of the socket if the device has been used for a longer period of time.

period is not used.

- In the event of malfunctions or smoke and odor formation from the housing, immediately pull the plug-in power supply out of the socket.

WARNING

Safety instructions for the installation of the device

- DO NOT place the unit near radiators, air conditioners, or water sources. Otherwise, there is a risk of electric shock, short circuits or fire, as water can come into contact with the device.
- Make sure that the humidity is between 20% and 80% and that there is no condensation.
- Make sure that the device is NOT exposed to direct sunlight, extreme heat, open flames and dust. Otherwise, there is a risk of a
- electric shock, a short circuit or a fire.
- The device is designed for use inside enclosed spaces.
- The openings on the back of the device are used for ventilation so that the device does not overheat. These must always be kept clear.
- To avoid damage, always place the product securely.

ATTENTION

Safety instructions for the operation of the device

- Read this instruction manual carefully before using the device!
- The device can only be operated with the voltage described on the back and on the power supply.
- Replace any existing batteries only with the same or equivalent one
Battery
- Do not use any obviously defective devices. If the appliance is not working normally – especially if there are unusual noises or odours – unplug it from the socket immediately.
- If the cables are damaged, the device must not be used any further.
- Do not place the device on an unstable surface. The device could be damaged or people could be injured. Any attachments should only be installed according to the manufacturer's instructions or obtained from the manufacturer.
- Do not expose the device and remote control to direct sunlight. This impairs function and could lead to damage
- Do not use the appliance in a humid environment and do not use it near gas flames, stovetops or other hot objects.

- Keep the device dry.
- Protect the device from weather conditions such as wind, rain, moisture and moisture.
- Do not display a still image permanently. This could cause damage to the display.
- Do not open the housing, but contact your specialist dealer or the manufacturer in the event of a repair.
- Work on the device may only be carried out if it is connected to the power source. was separated.
- Make sure that only those people who have read the instructions or have been instructed in how to use it by a competent person operate the device.

**RISK**

Safety Notice for Repair and Maintenance

- Repairs and maintenance work may only be carried out by customer service or by specialist personnel authorised by the manufacturer. Improper repairs can result in considerable dangers for the user.
- Regular maintenance by the manufacturer is not necessary.
- Never try to repair a defective device yourself. Always contact one of our customer service points.
- Do not open the device under any circumstances. This may only be done by customer service or by qualified personnel authorized by the manufacturer. Otherwise, there is a risk of electric shock.
- Operators are only allowed to rectify faults themselves that are obviously due to operating errors.
- Clean the display regularly.
- To clean it, unplug it from the power outlet.
- Do not use liquid cleaners or cleaning sprays. The appliance must only be cleaned with a damp cloth.
- It is forbidden to make modifications to the device.
- Damaged devices or damaged accessories may no longer be used.

NOTICE

Intended use

The tablet is suitable for commercial use as well as for private use.

We cannot assume any liability for non-functioning third-party apps from the Playstore and this is also not a defect or warranty case. If you do not have any in-depth experience with the Android operating system, please inform yourself beforehand via our hotline. The tablet is a wall display with an operating system and can be powered via PoE or power adapter. A battery is not integrated. The operating system is Android (installed), Linux is installable (n. installed). This device complies with CE regulations.

The manufacturer accepts no liability for damage caused by improper use. Read the operating instructions carefully before commissioning. This is the only way to use all functions safely and reliably.

Operating requirements

The device is designed for use inside enclosed spaces and must be protected from excessive dust, extreme temperatures, wetness and condensation. The environmental requirements are given as follows: Operating **conditions**:

Temperatur 0° - +40°

Humidity 20% - 80% non-condensing

Storage:

Temperatur 0° - +60°

Humidity 10% - 90% non-condensing

Frequencies

Operating Frequency	2402-2480MHz, 2412-2472MHz; 5150-5250MHz, 5250-5350MHz, 5470-5745MHz, 5745-5825MHz
Modulation type	BT(BLE):GFSK 2.4GWIFI; 802.11b:DQPSK, DBPSK, CCK 802.11g/n: 64-QAM, 16-QAM, QPSK, BPSK 5GWIFI: 802.11a/n:64-QAM, 16-QAM, QPSK, BPSK 802.11ac:256-QAM, 64-QAM, 16-QAM, QPSK, BPSK
Bluetooth Version	V5.0
Hardware Version	V1.0
Software Version	V1.0
Antenna designation	PIFA Antenna(Temporary RF connector provided by manufacturer) RP-SMA Male Whip Antenna
Antenna Gain	BT: 2dBi 2.4GHz WIFI:2dBi 5GHz WIFI:2dBi

Technical details

- RK3568, Quad-core (Quad-core A55, 2.0GHz)
- Resolution: 1280x800 10" Zoll; 1920x1080, 12"/14"/15"/18"/21" Zoll LCD IPS panel
- Android 13 with Google license
- 10-Point kapazitiver Multi Touchscreen
- for 10" inch 4GB/16GB - for 12"/14"/15"/18"/21" 8GB/64GB
- Microphone (no echo cancellation or noise cancelling!)
- Ethernet 100/1000M RJ45 PoE IEEE802at
- WLAN Wi-Fi 6(IEEE 802.11 2.4/5GHz a/b/g/n/ac/ax)
- Bluetooth 5.0 (2.4GHz)
- 2x3W Speaker
- HDMI output
- USB3.0 Host/ USB OTG (Upgrade)/ SD Card
- VESA 75x75 for 10" / 12" / 14" / 15" / 18"
- Vesa 100x100 for 21"
- Power Supply: 12V
- Operating temperature: 0~40°C
Humidity Operating: 10%~90% (non-condensing) Temperature Storage: 0~80°C
Humidity Storage: 10%~90% (non-condensing)
- Marking: Ce/RoHS

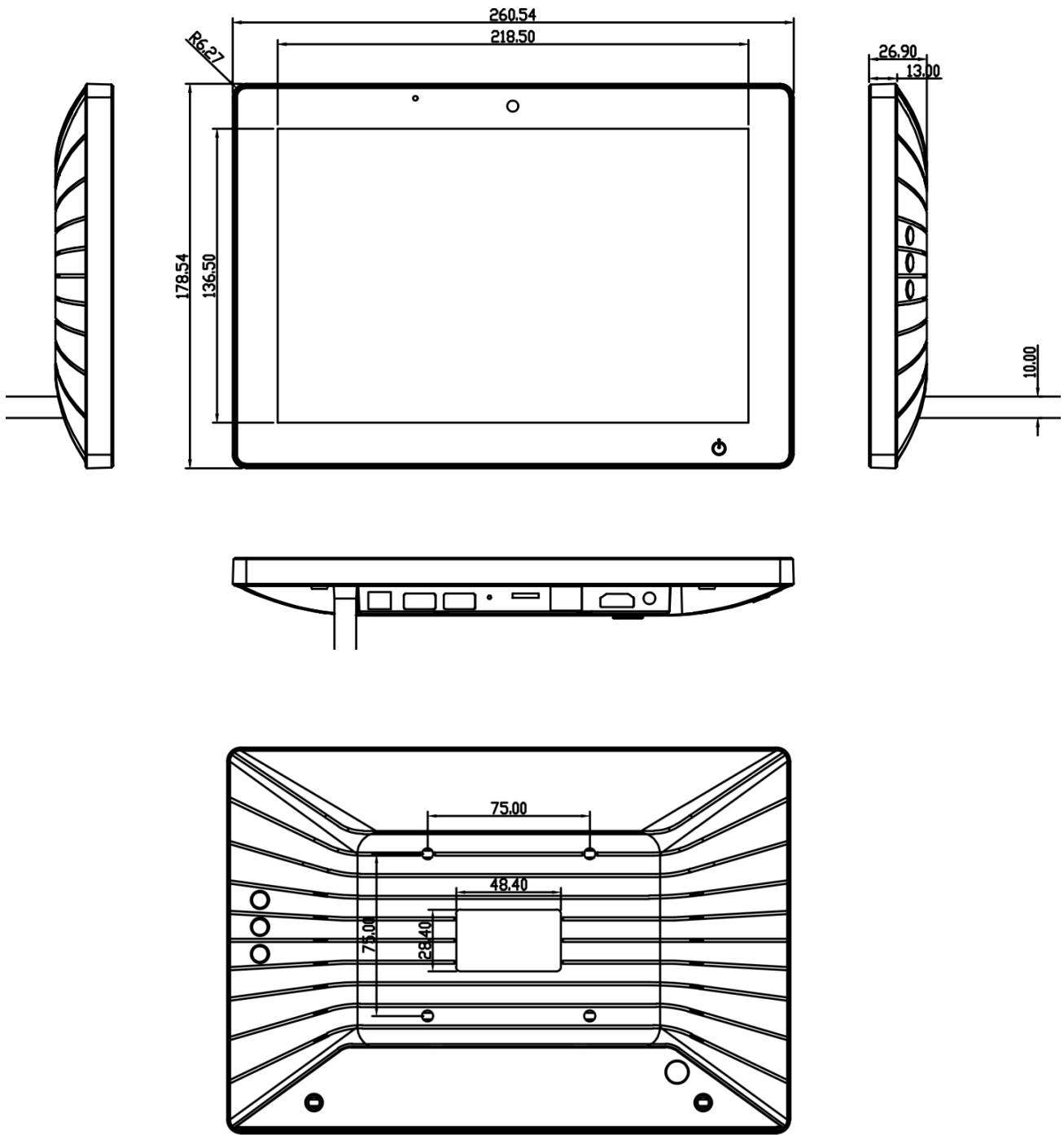
Power supply	
Manufacturer	Shenzhen Green Power Electronic Technology Co.,Ltd Address : Room 201,101,301 of No.39 Room 201 of No.40 the 3rd Industrial Park,lisonglang Community,Gongming Office,Guangming District,518106,ShenZhen city,Guangdong Province,China
Type	MR-0502000EU-04
Input voltage	100 – 240 V
Input frequency	50 – 60 Hz
Input current	0.8A
Output voltage	12 V
Output	2.5 A
Output power	30 W
Average efficiency in operation	87,50%
Efficiency at low load (10%)	87,50%
Power consumption at no-load	0.075 W
Energy efficiency class	VI

PoE Power Supply

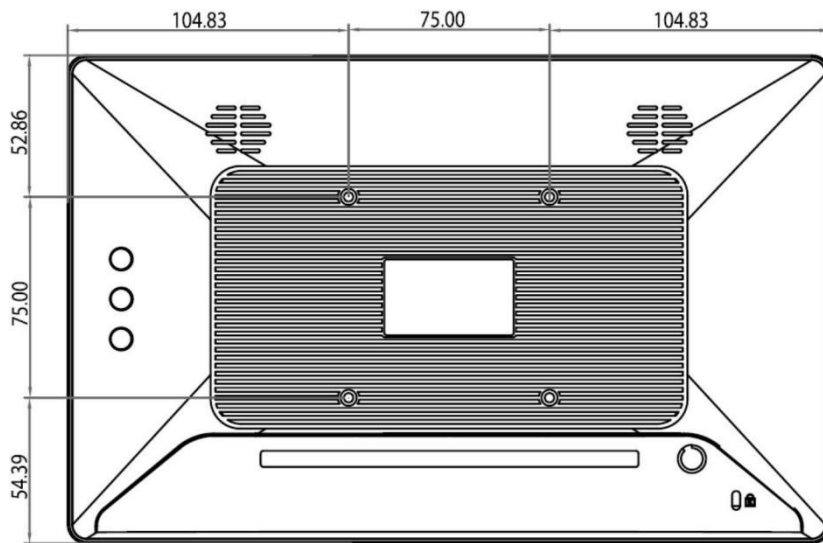
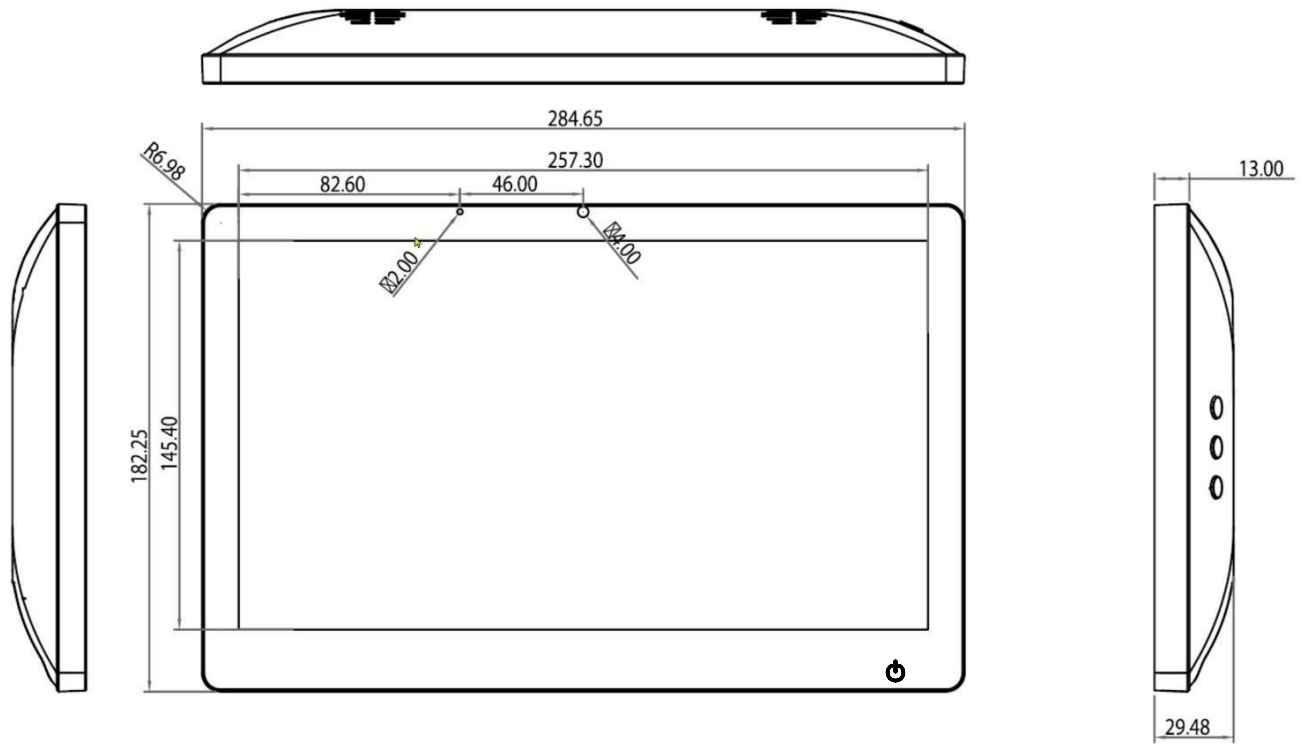
Class	Device	Standard	Output voltage	Max. Output current in operation	Max. powerPower supply (PSE)	Minimum OutputWithdrawal (PD)
0		IEEE 802.3af	36 - 57 V	350 mA	15.4 watts	0,44 - 12,96 W
1					4.0 watts	0,44 - 3,84 W
2					7.0 watts	3,84 - 6,49 W
3	10-14 inches				15.4 watts	6,49 - 12,95 W
4	15-21 inches	IEEE 802.3at	42,5 - 57 V	600 mA	25.5 W	12.95 - 25.50 W
5		IEEE 802.3bt	42.5 - 57 V	2× 960 mA	45 W	40 W
6					60 W	51 W
7					75 W	62 W
8					90 W	71 W

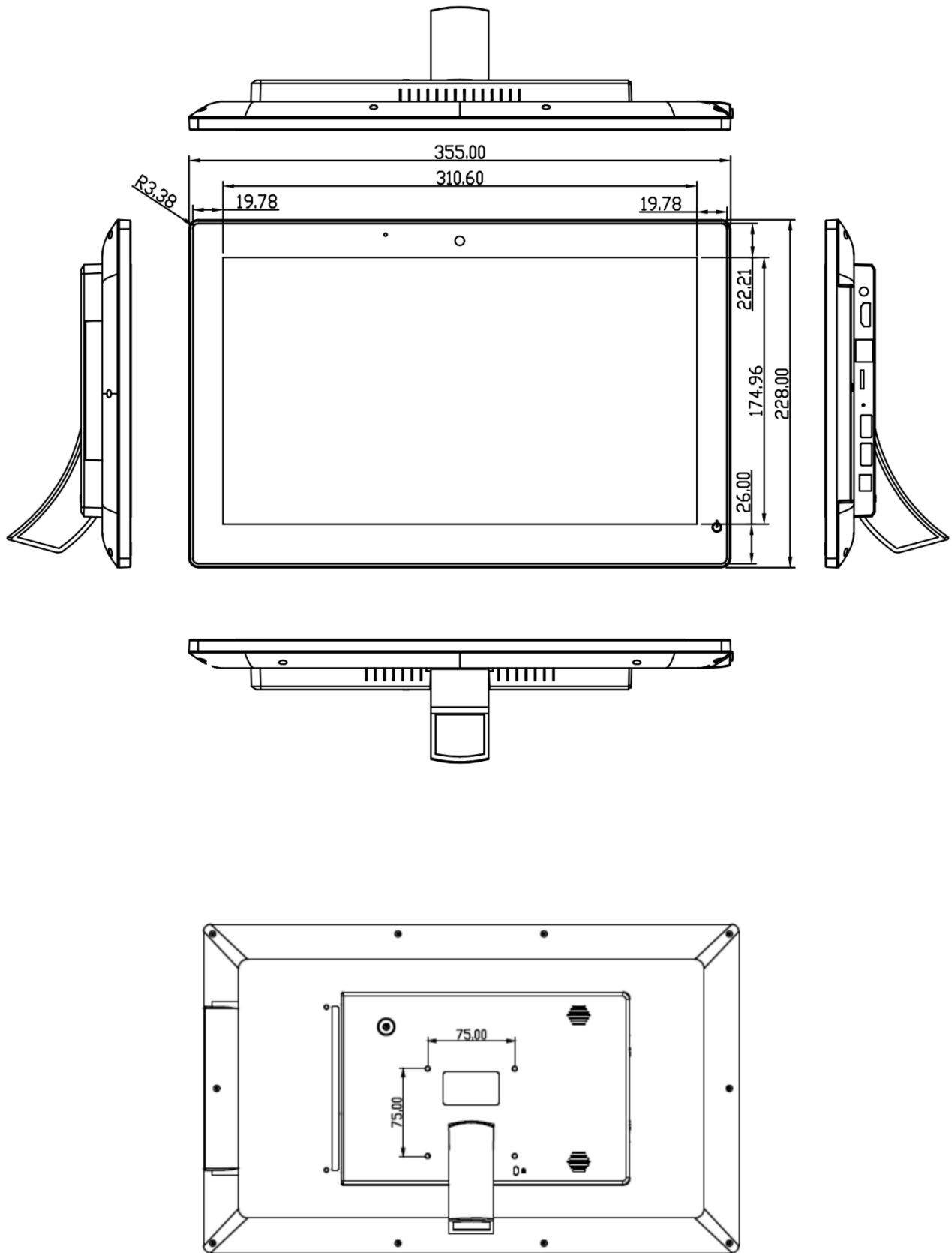
Dimensions

Tablet 10 Zoll

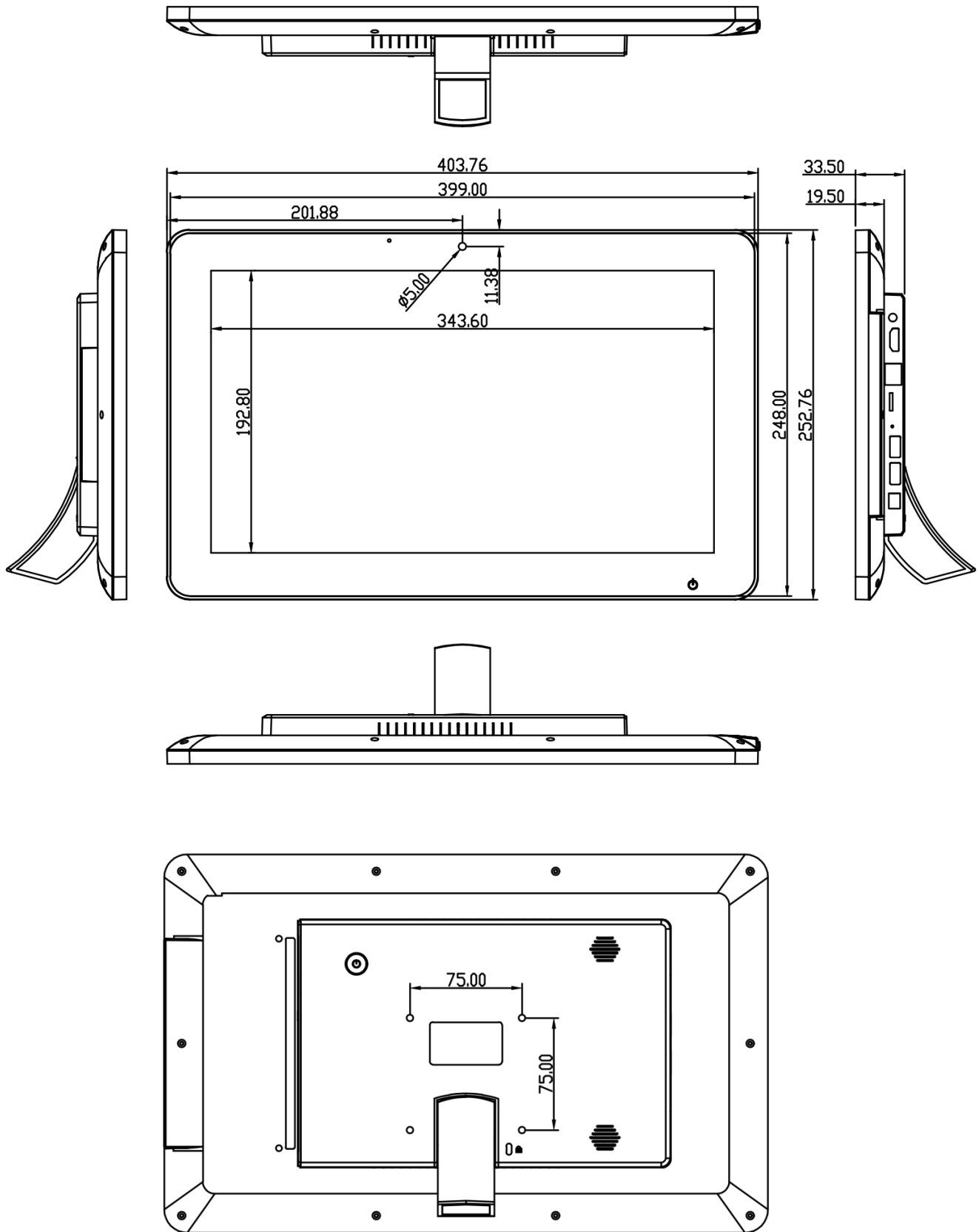


Tablet 12 Zoll

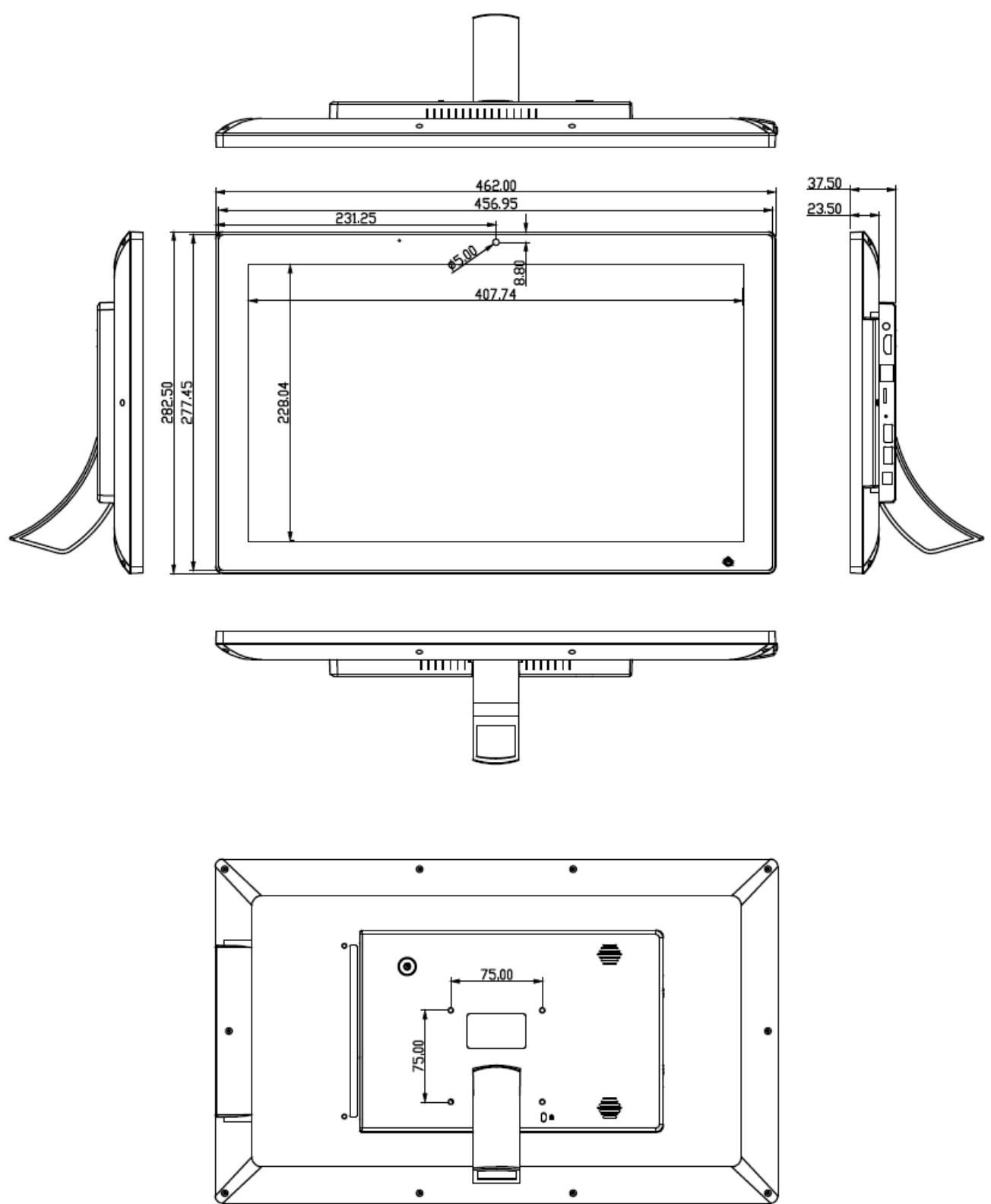




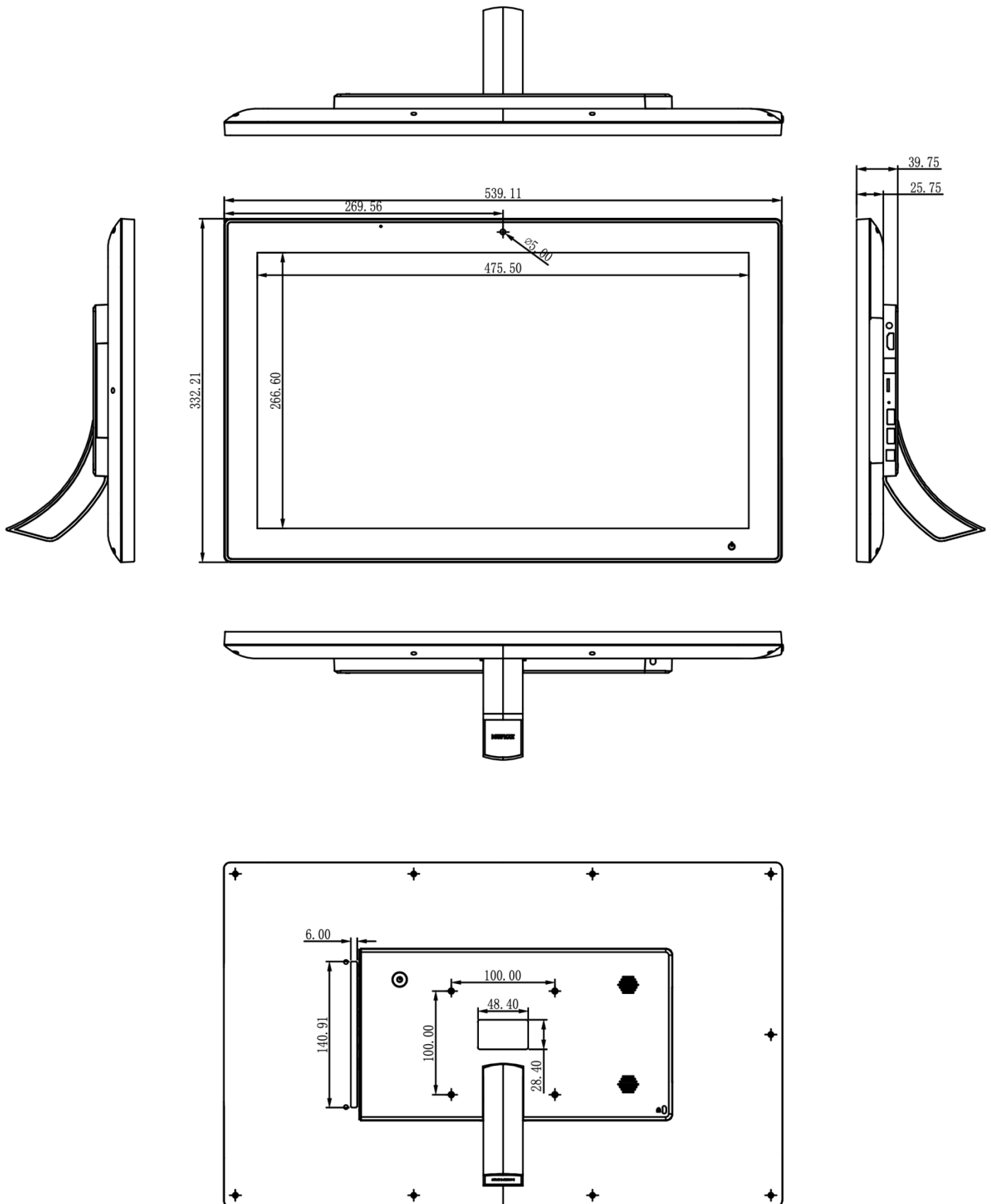
Tablet 15



Tablet 18 Zoll



Tablet 21 Zoll



Service

This is a guide for Android in general and about special functions of the ALLNET displays.

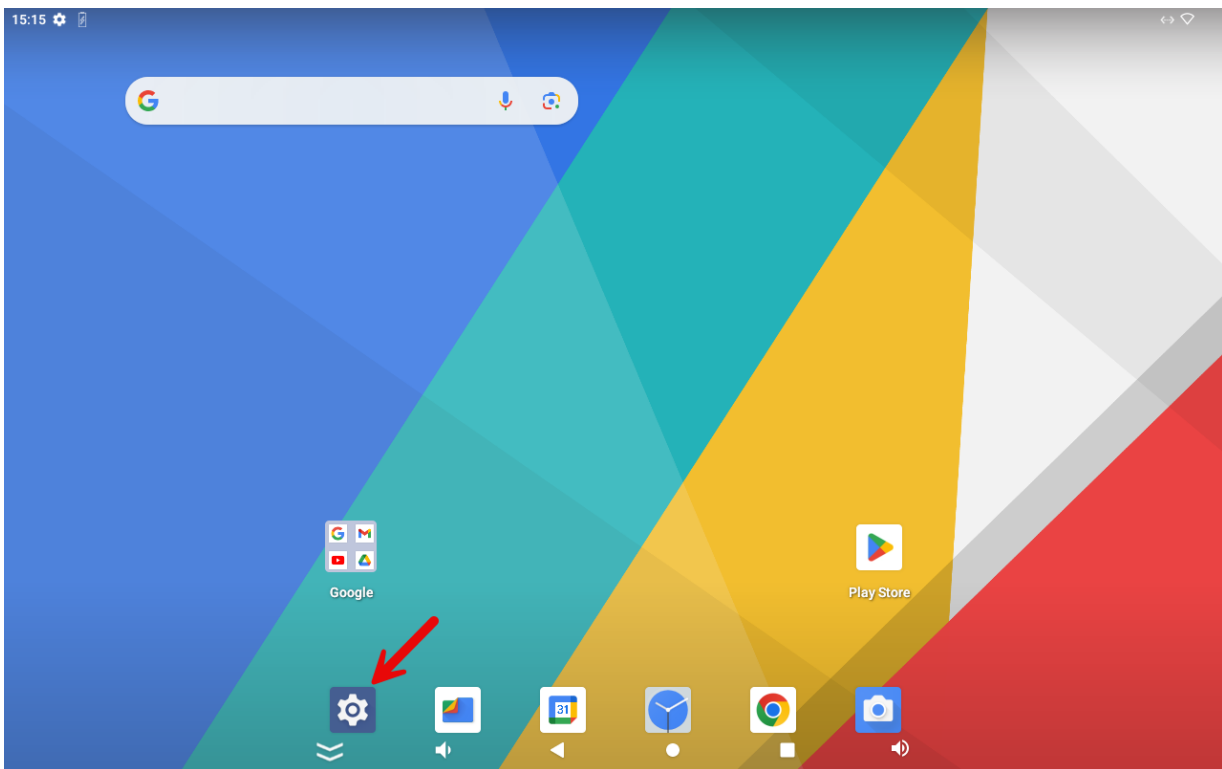
The display is a certified Google device.

Connect the tablet to the power supply. The tablet starts automatically.

Switching off the Touch Power Button in the front

You can disable the Power Touch button in the software. To do this, please go to the settings and select General Settings. The item "Touch button enable" deactivates or activates the power button in the front.

This function is essential when installed in a wall, otherwise the tablet can only be switched on/off via the power. The physical switch on the back is always active.



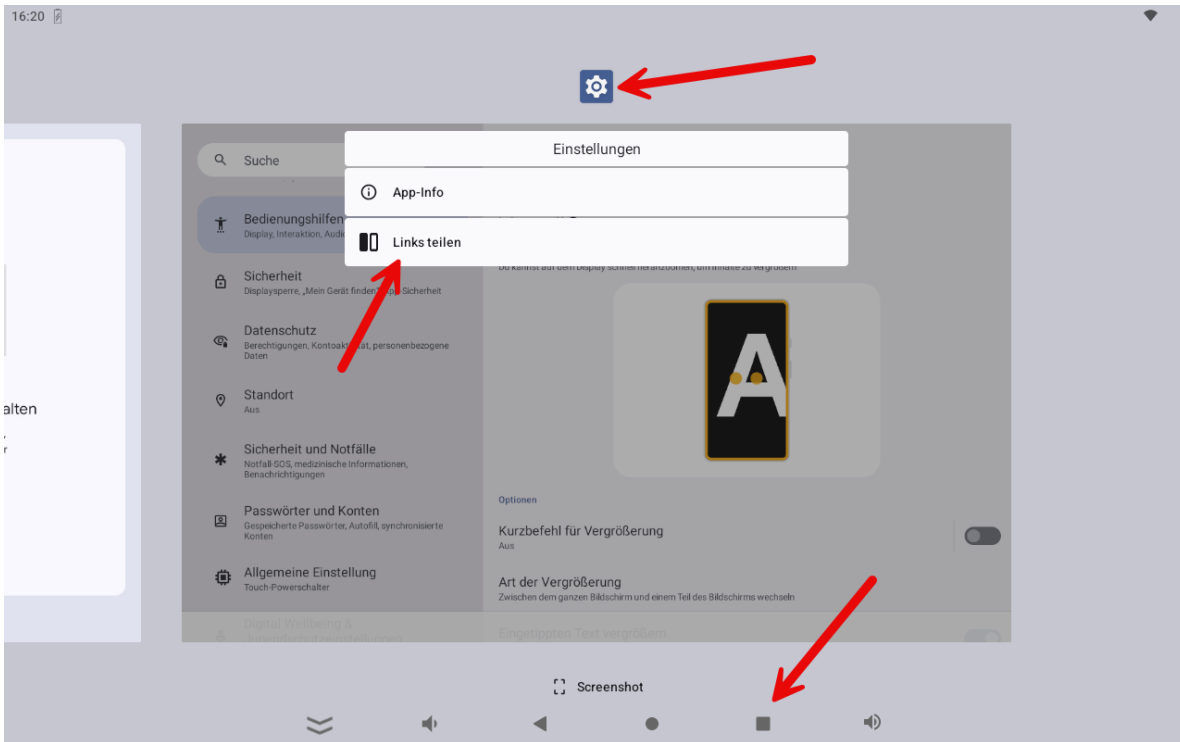
Automatic launch of an application

Unfortunately, this function is not available in the certified version. You have to help yourself with an app from the Playstore. E.g. AutoStart.

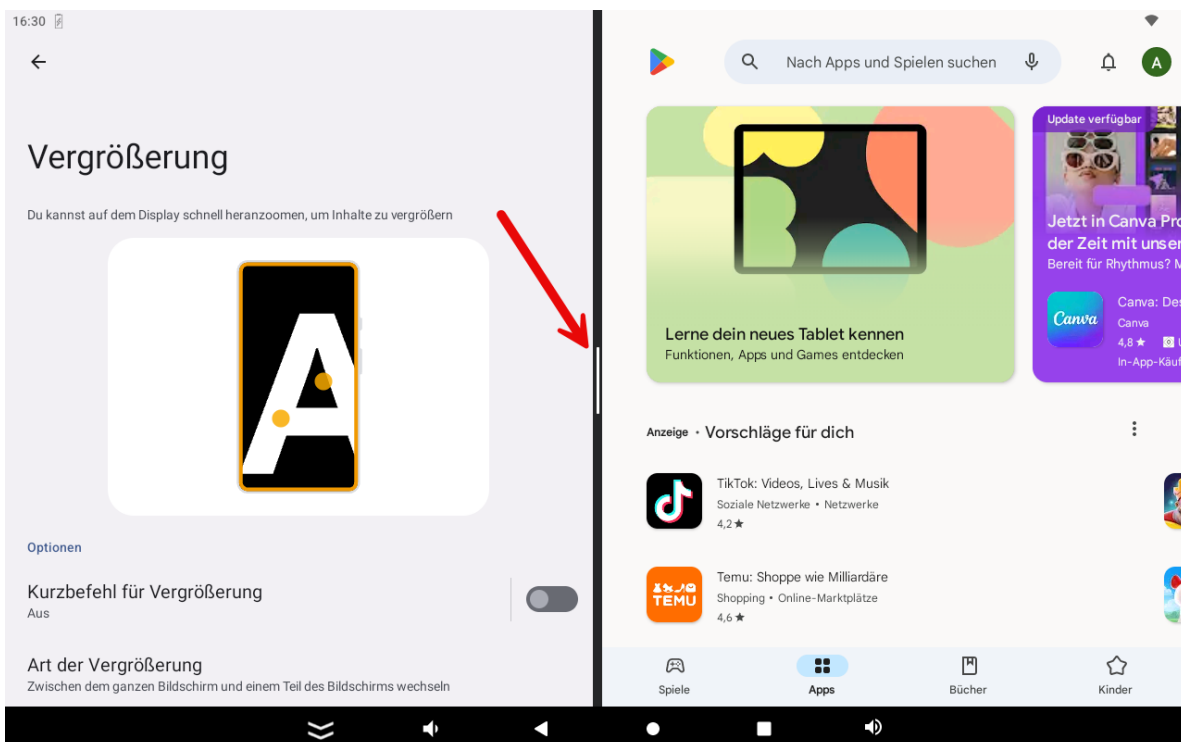
Split screen or split screen

To display two apps side by side at the same time, the apps must have been open for the first time. Then click on the square and on the icon at the top center. Click Share Links.

Now select the second app that you want to share on the screen.



Now the division ratio can still be changed.

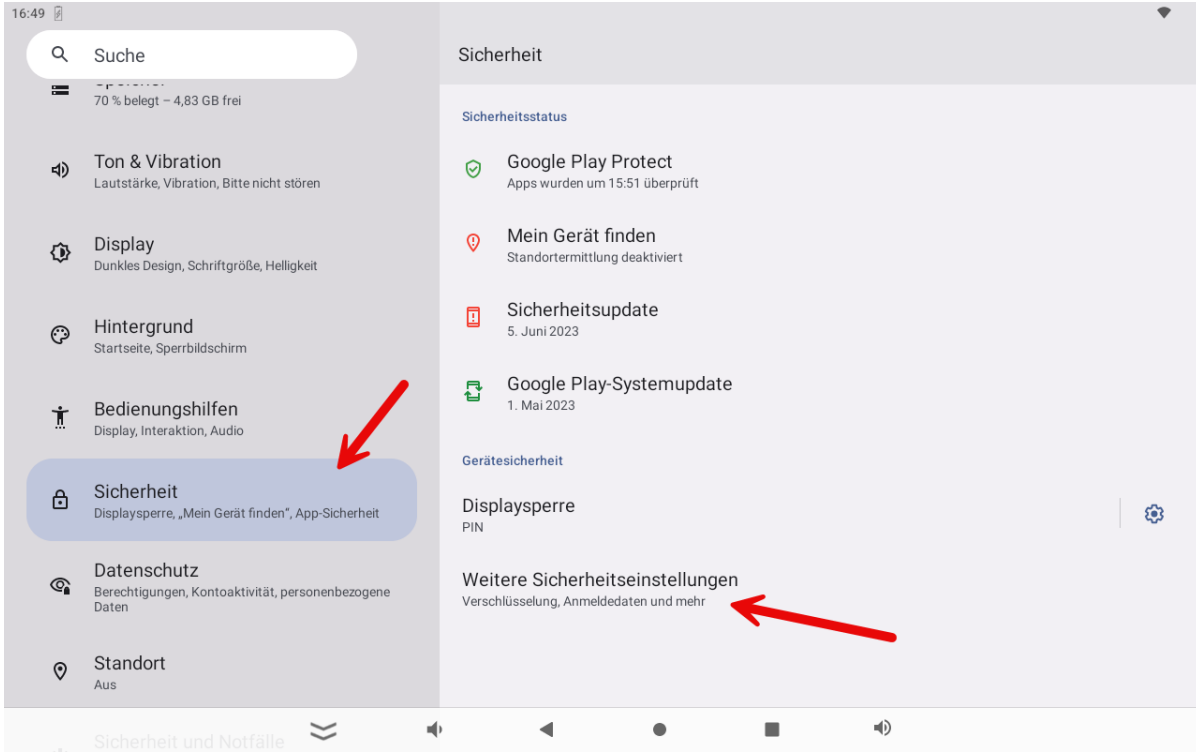


Please note that after a restart, this arrangement will be lost.

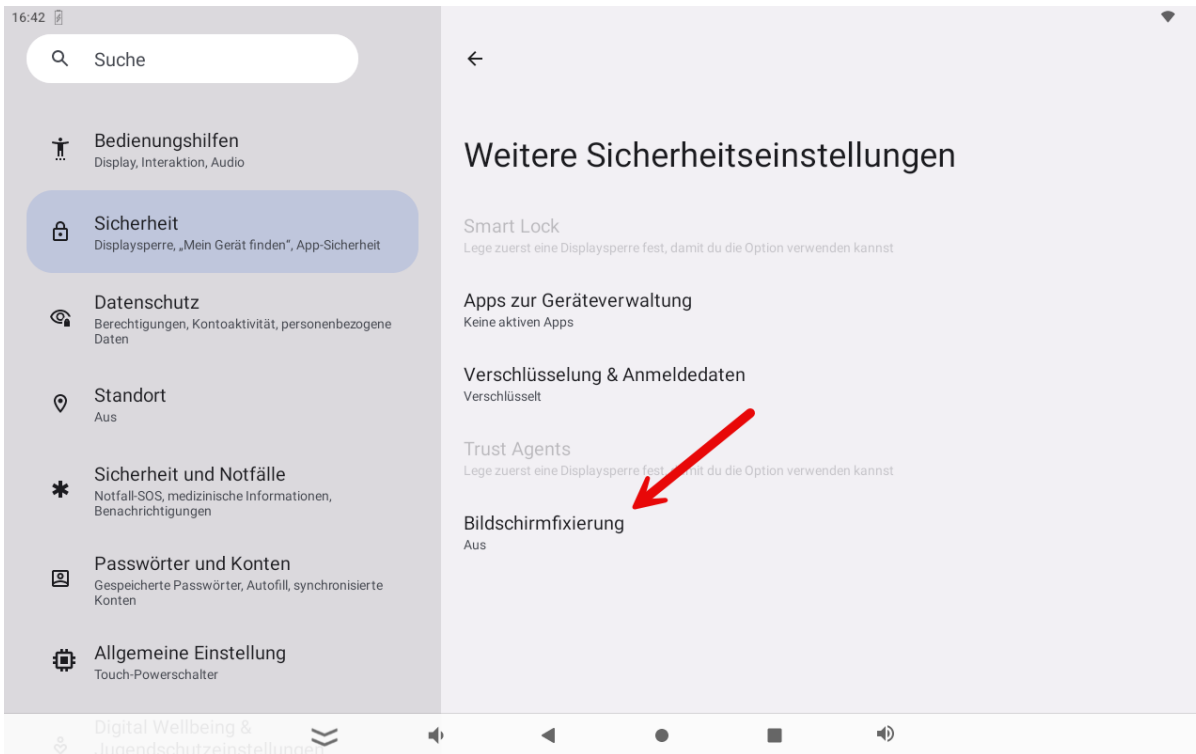
Fixing an APP

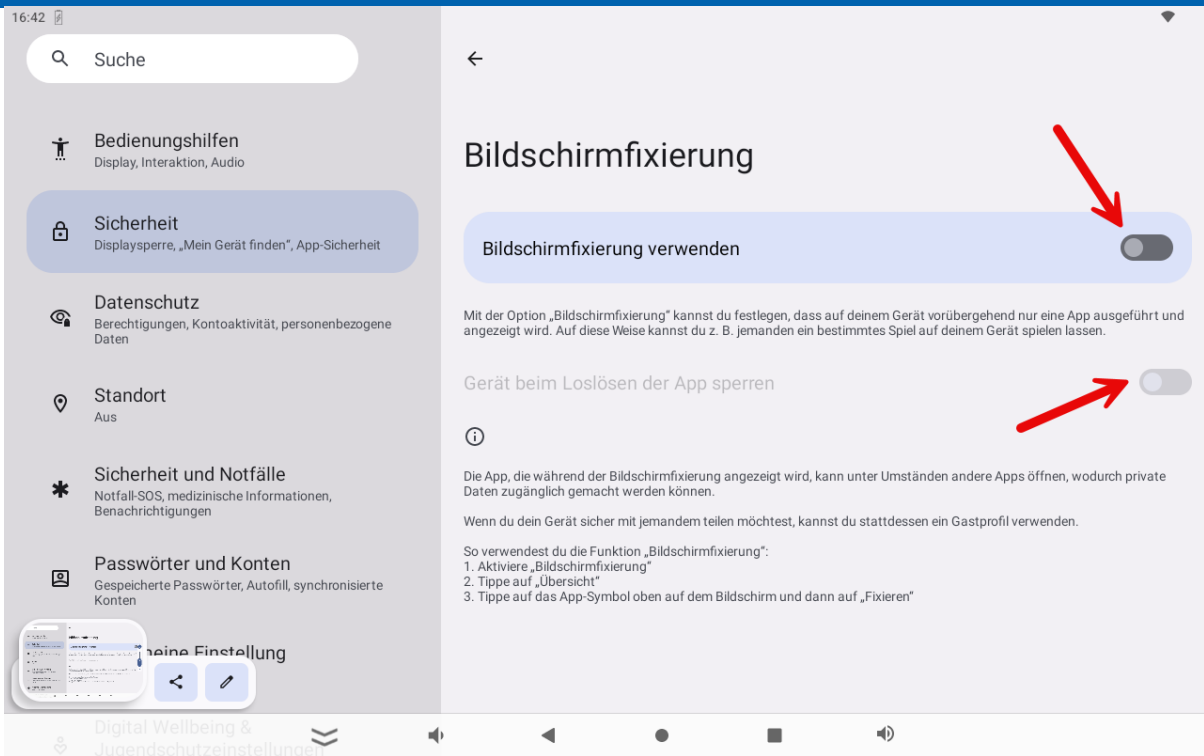
Please note:

The way it works is simple and is just a simple protection against unauthorized access. The app can still be terminated by a keyboard shortcut. You can find a professional kiosk app in the Playstore under "FullyKiosk Browser".



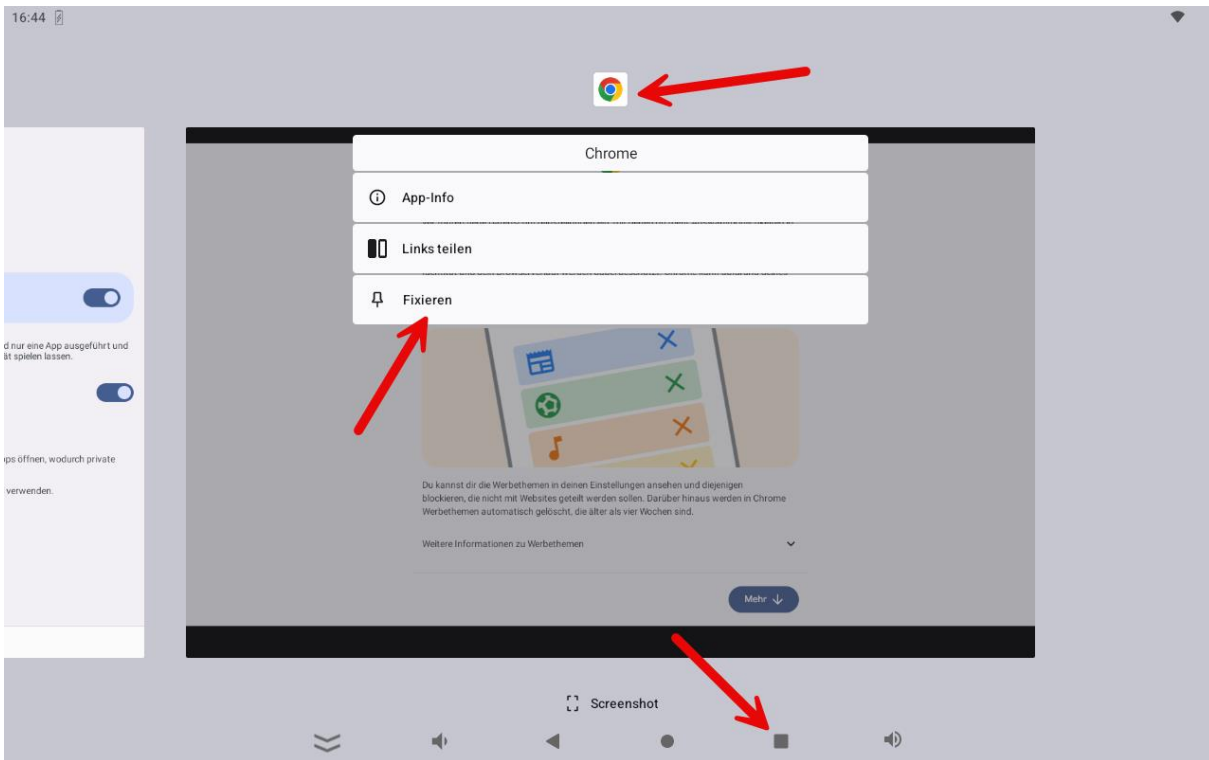
There please go to the item "Other security settings" and click on Screen fixation.

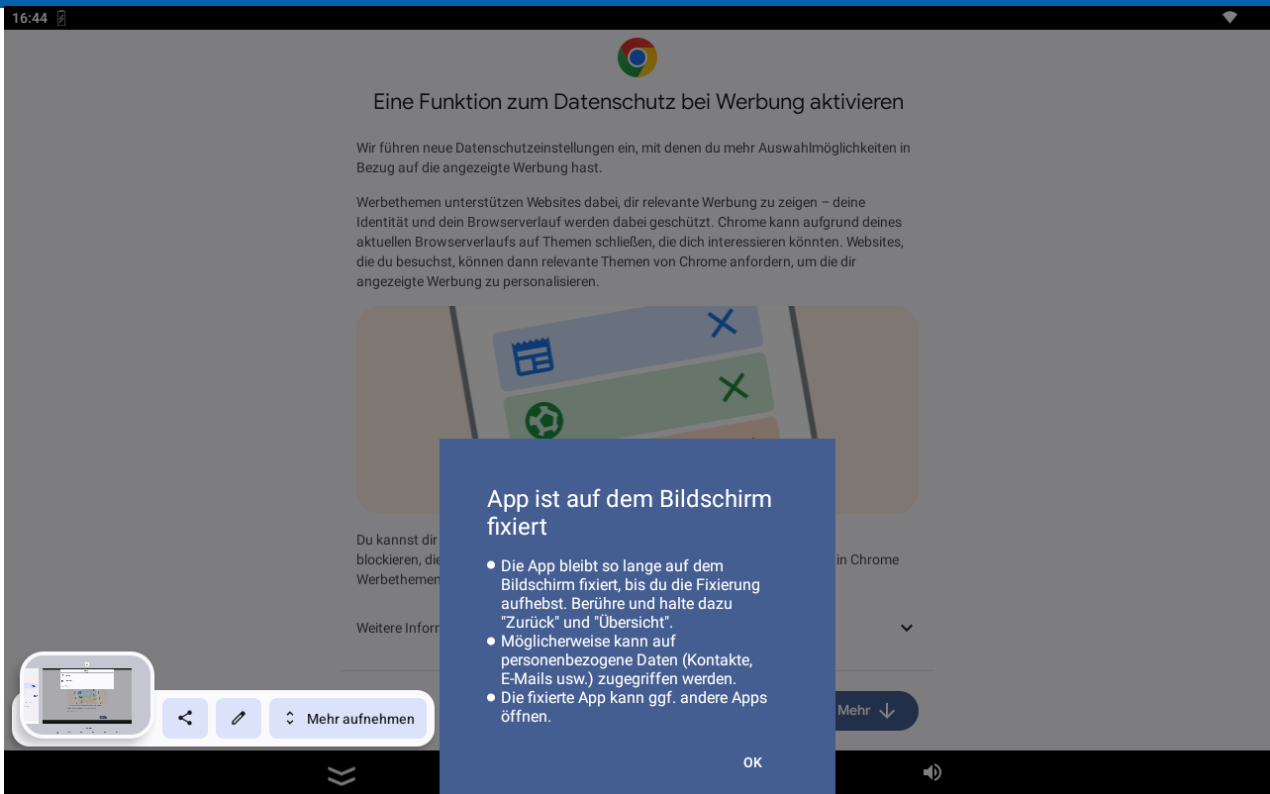




As an option, you can also install a security that locks the tablet when the app is closed.

To activate the screen lock, click on the square in the navigation bar, where you will find the most recently opened APPs. Click on the middle icon at the top of the app to use.



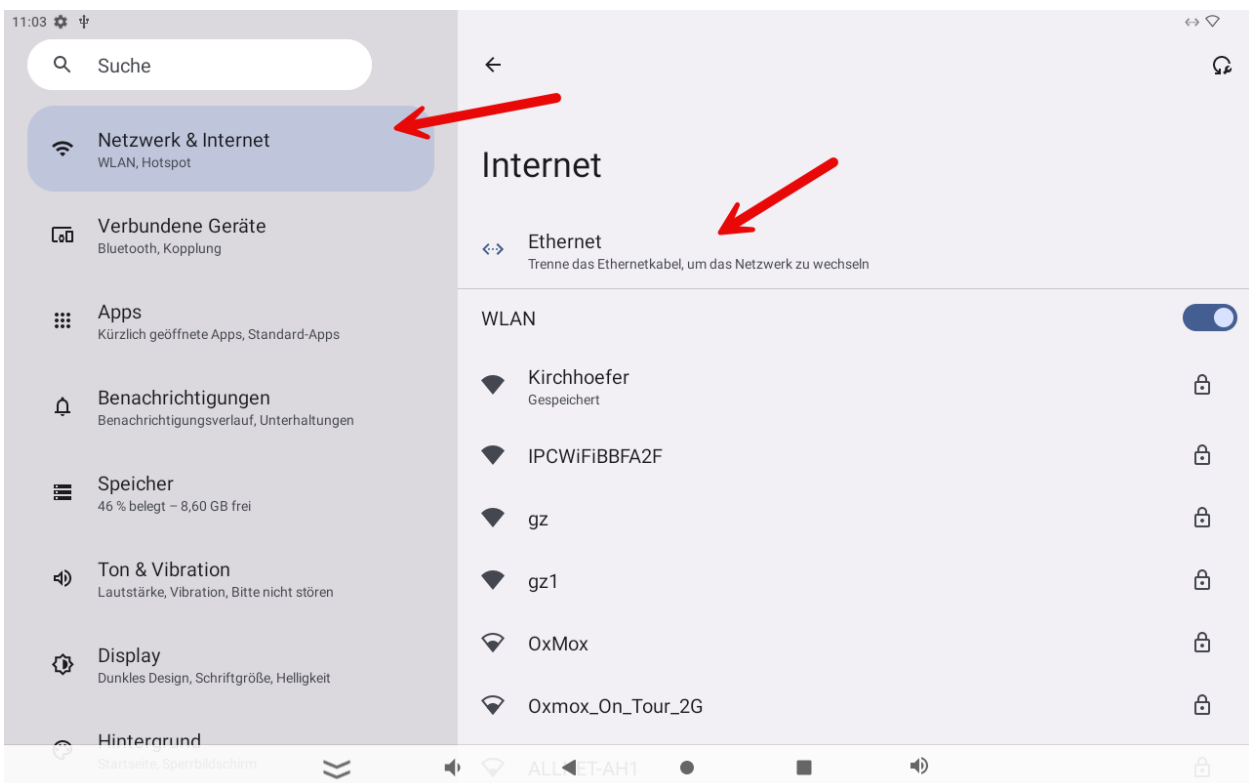


This screen fixation is no longer active after a restart and the procedure for fixing must be performed again.

Setup Ethernet

Open the " Settings"

Select Network&Internet, then click More

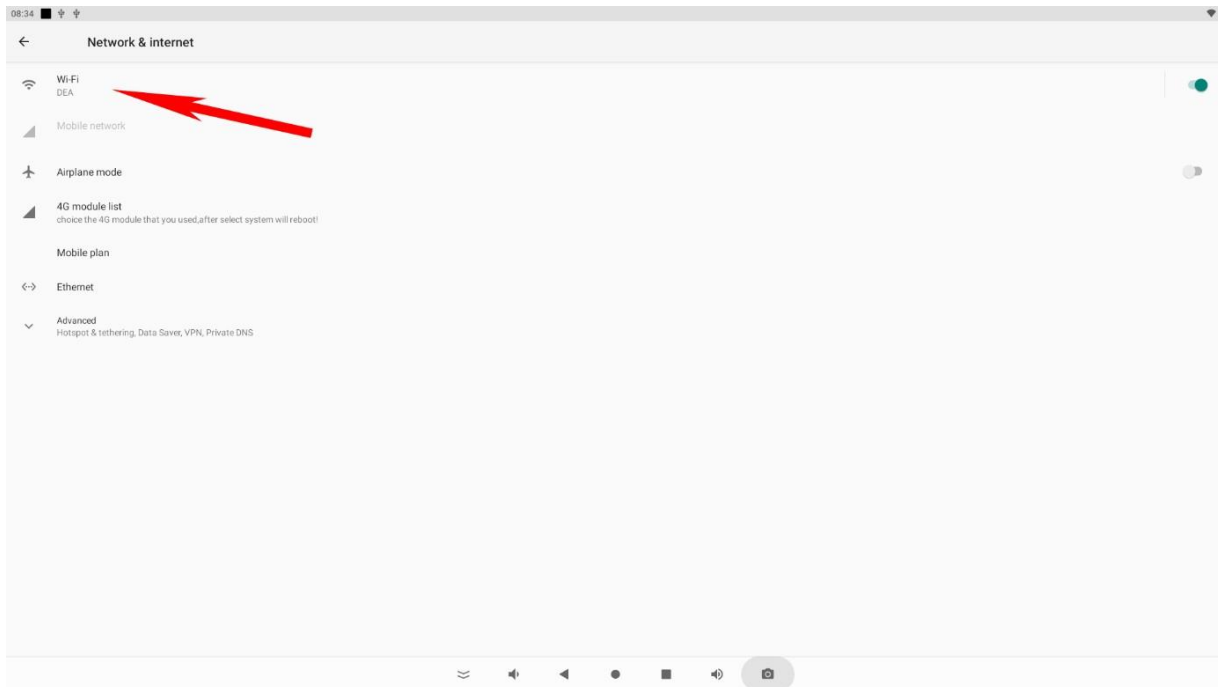


Ethernet is automatically activated as soon as a network cable is connected to a network connection. The Ethernet connection is preferred over a WLAN connection.

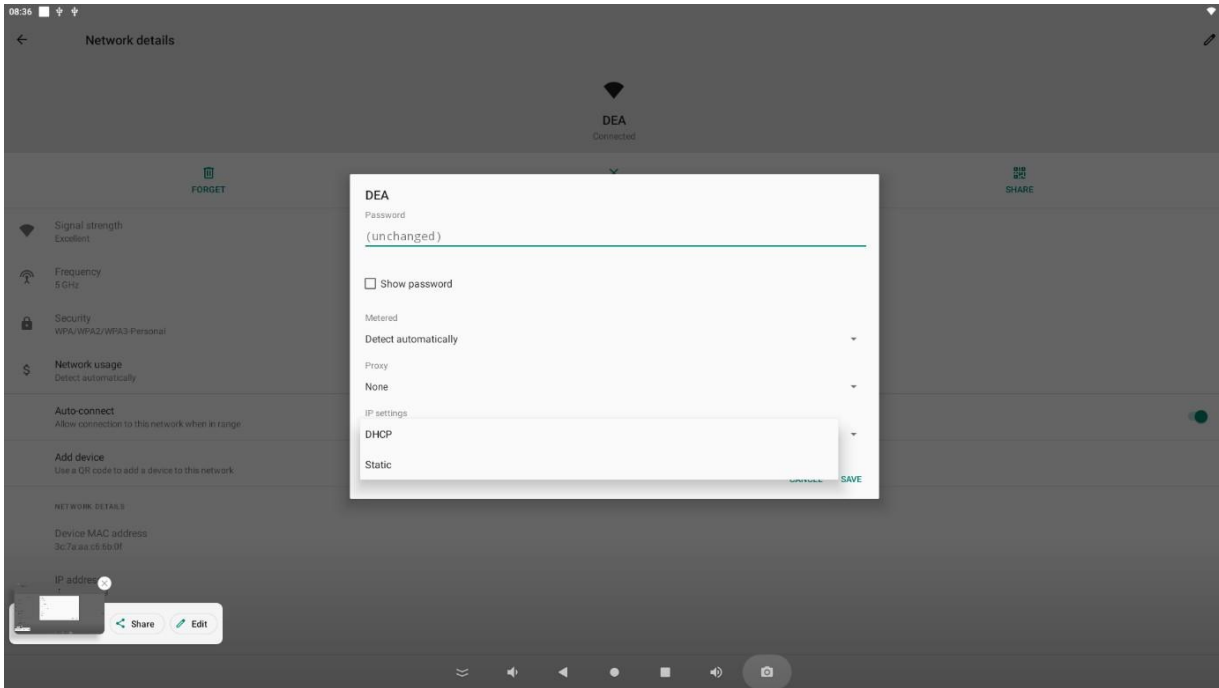
Setup W-LAN

Open the Settings app

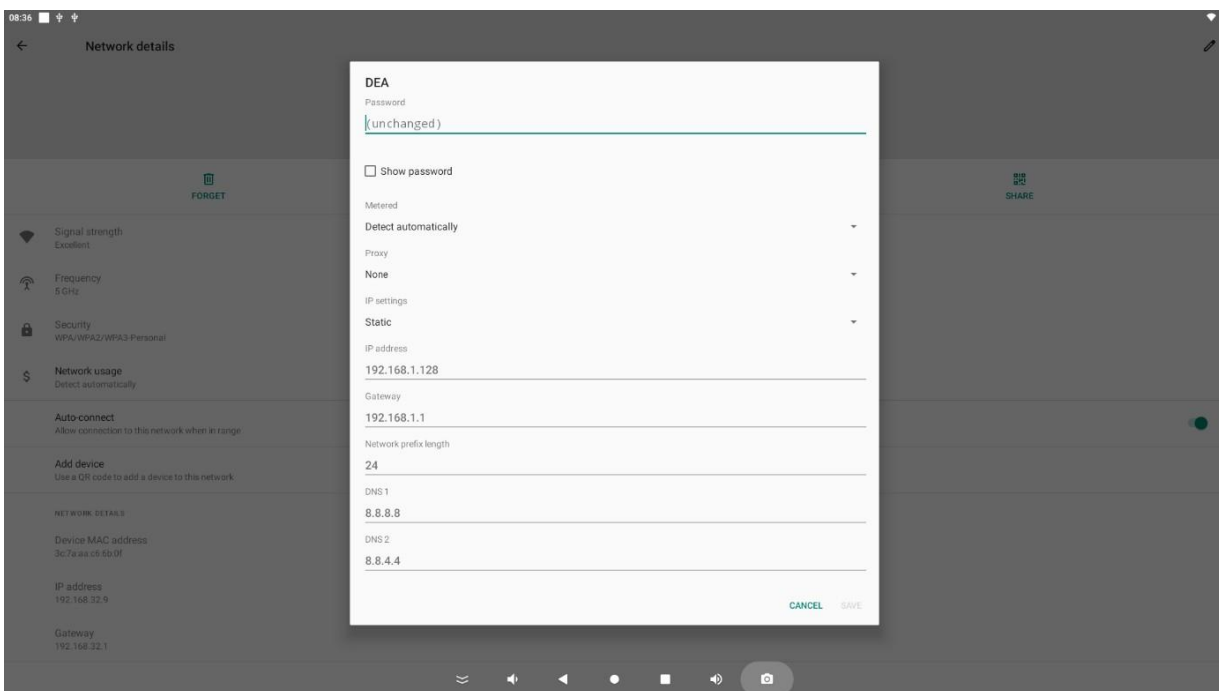
Select "Wireless & Network", then click on Wi-Fi and activate the switch



Select the desired Wi-Fi network and enter the password if necessary. After a successful connection, the tablet will automatically connect to the network if it is within range.



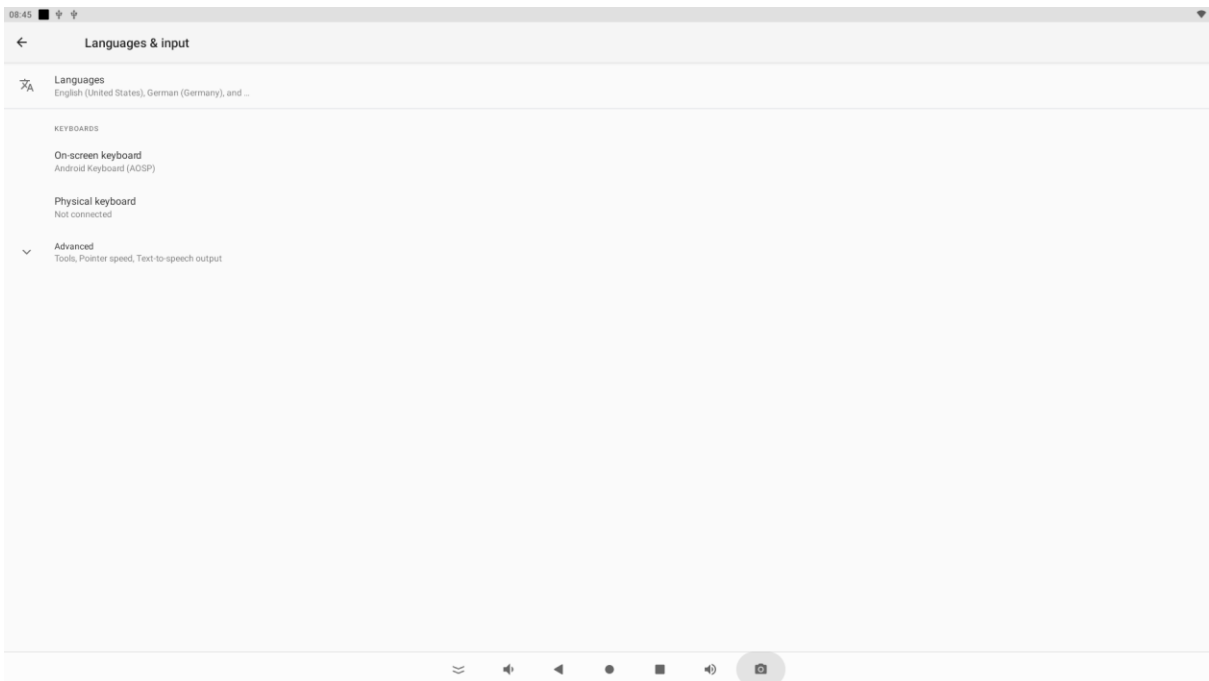
You can set up a static network connection under IP Setting. By clicking on "static" you can set up the IP address, gateway and DNS server.

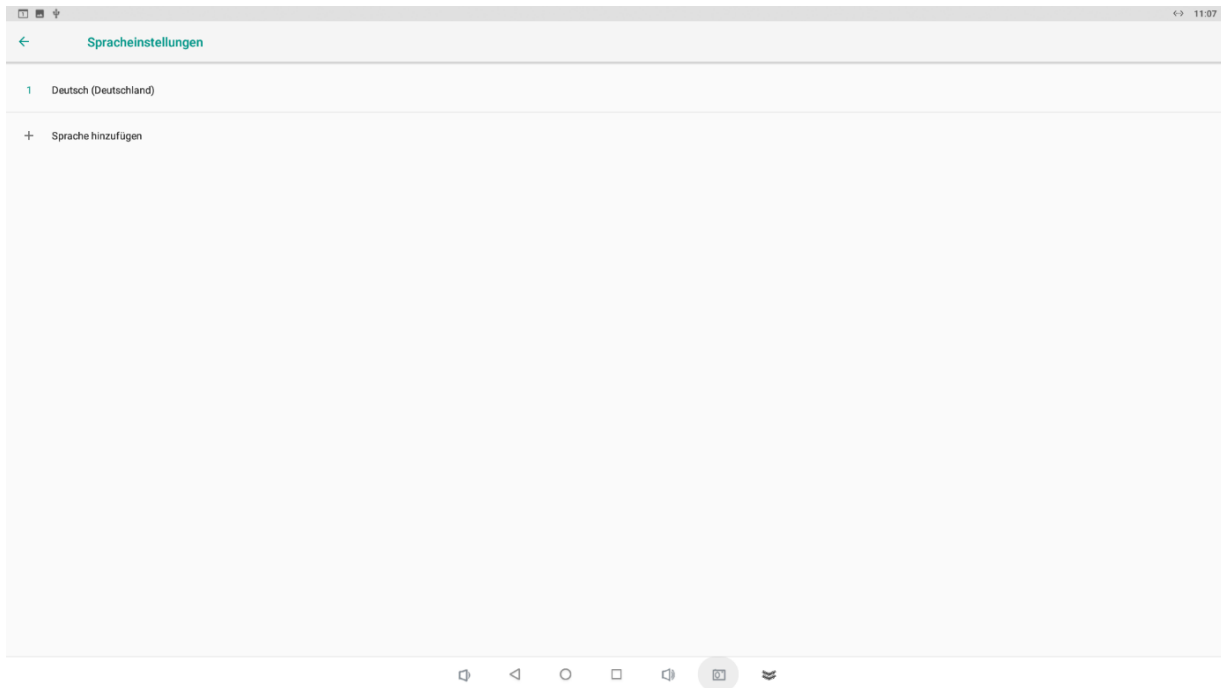


Settings Change language

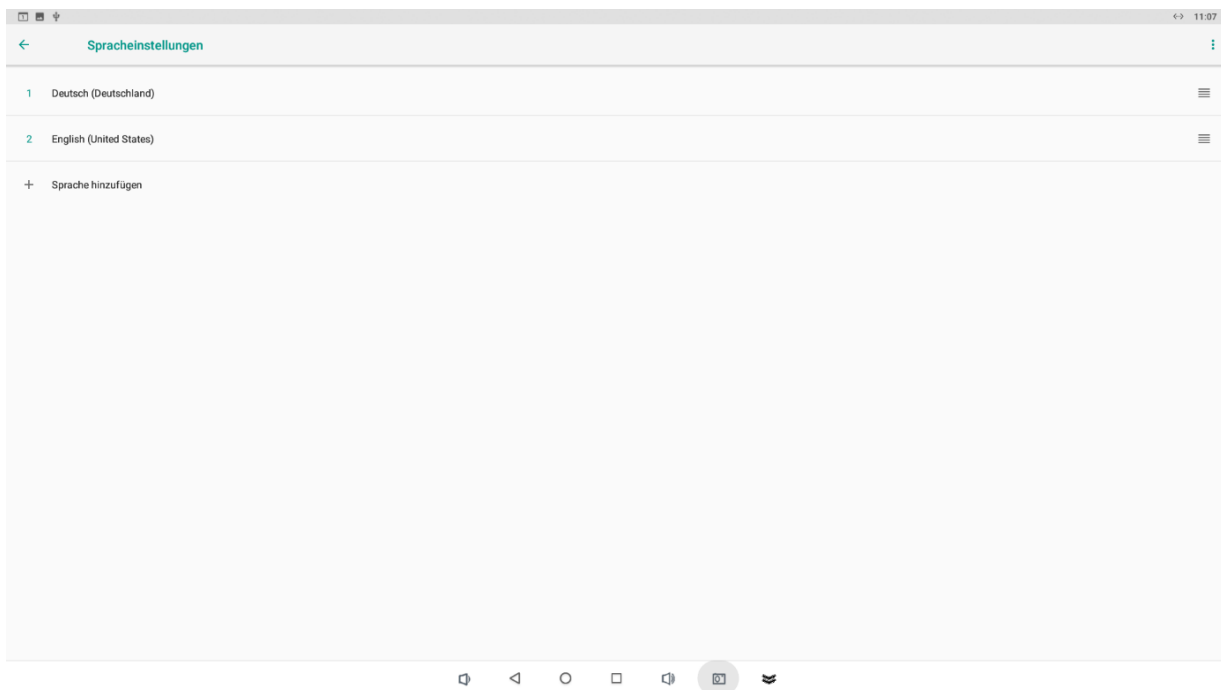
Open the Settings app

Under "System", select "Language & Input", then click on Language and select the desired language





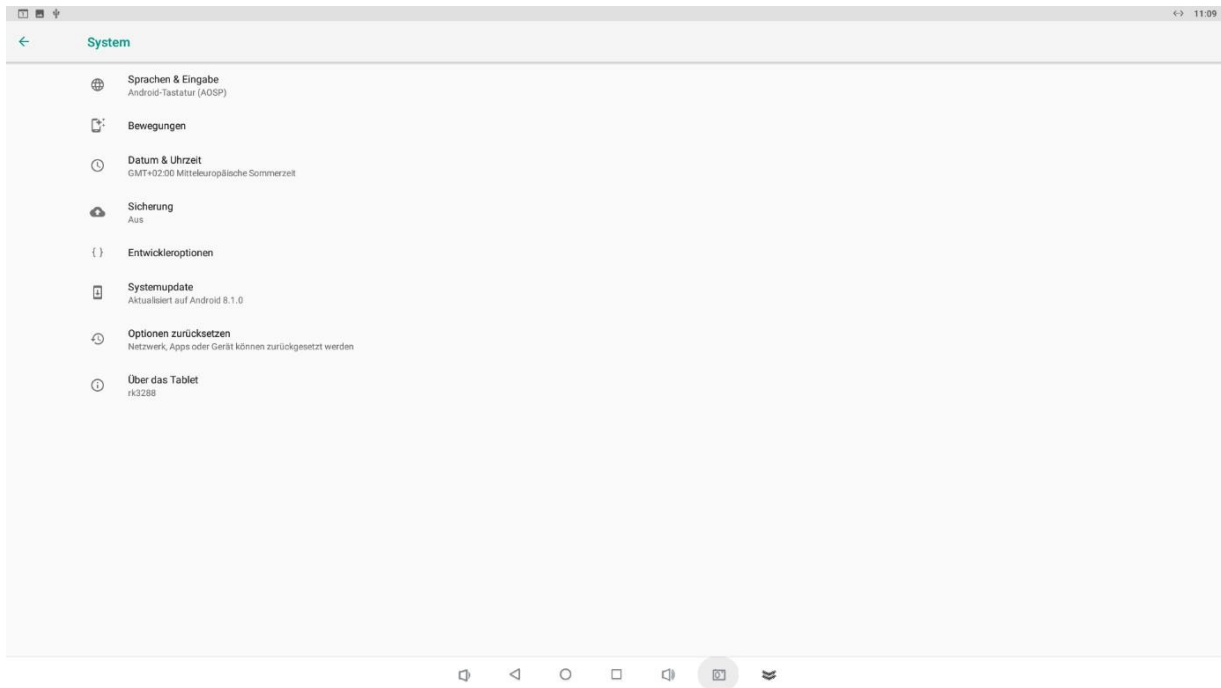
You can activate the language by dragging the language up on the right edge.



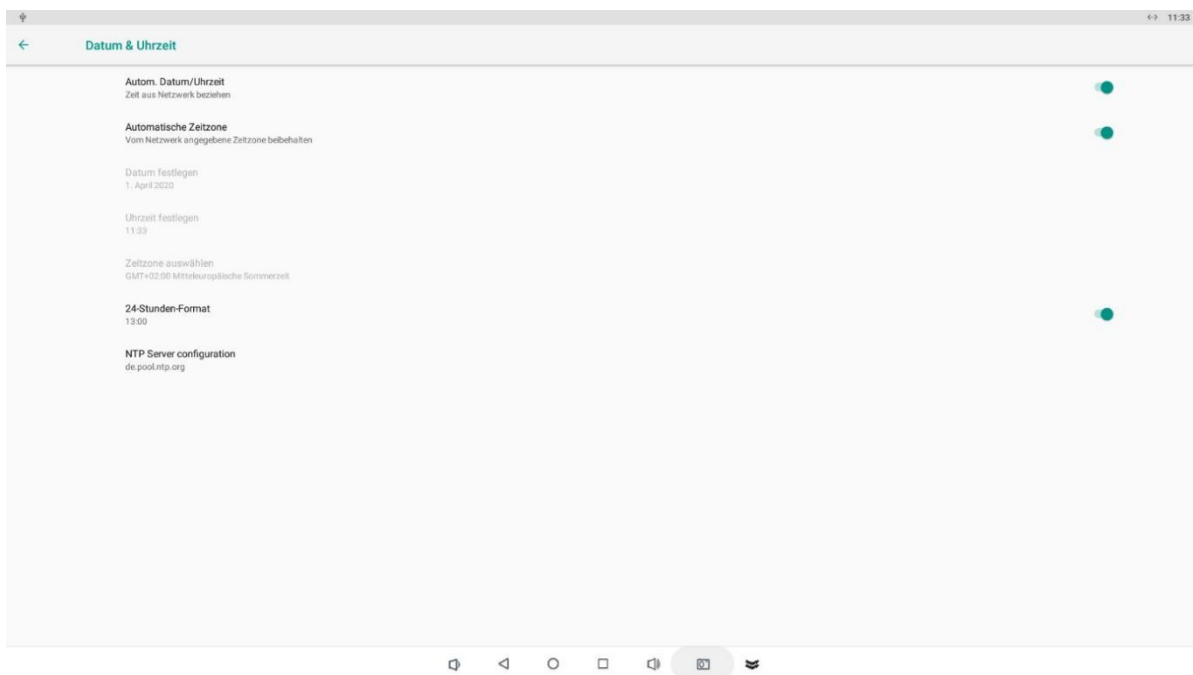
Change time zone, date, and time settings

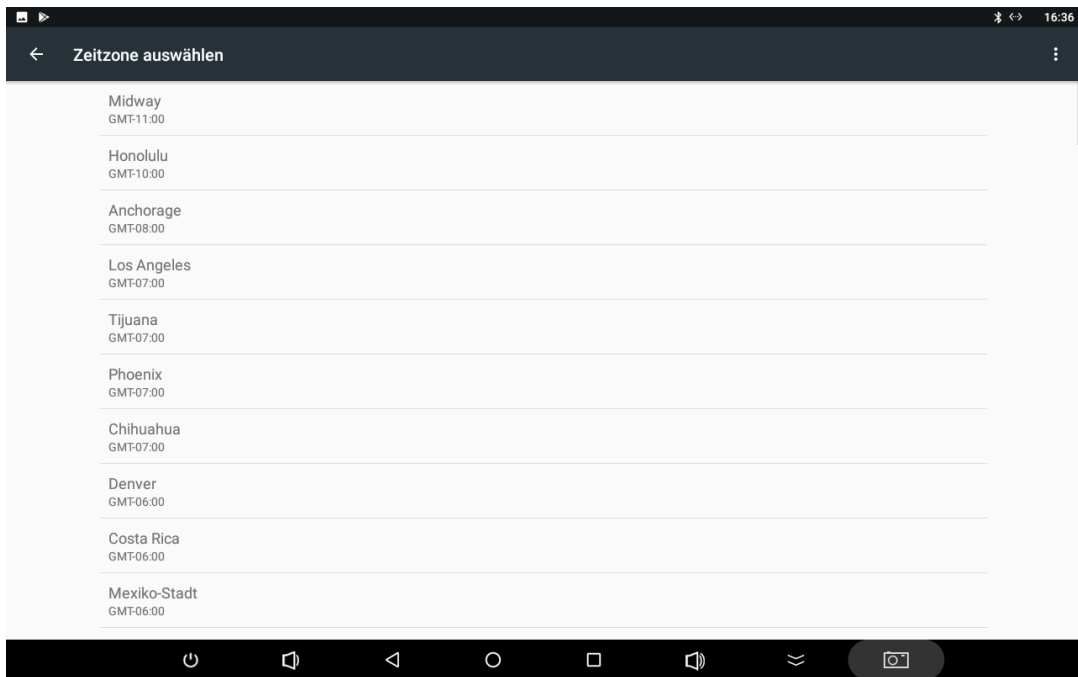
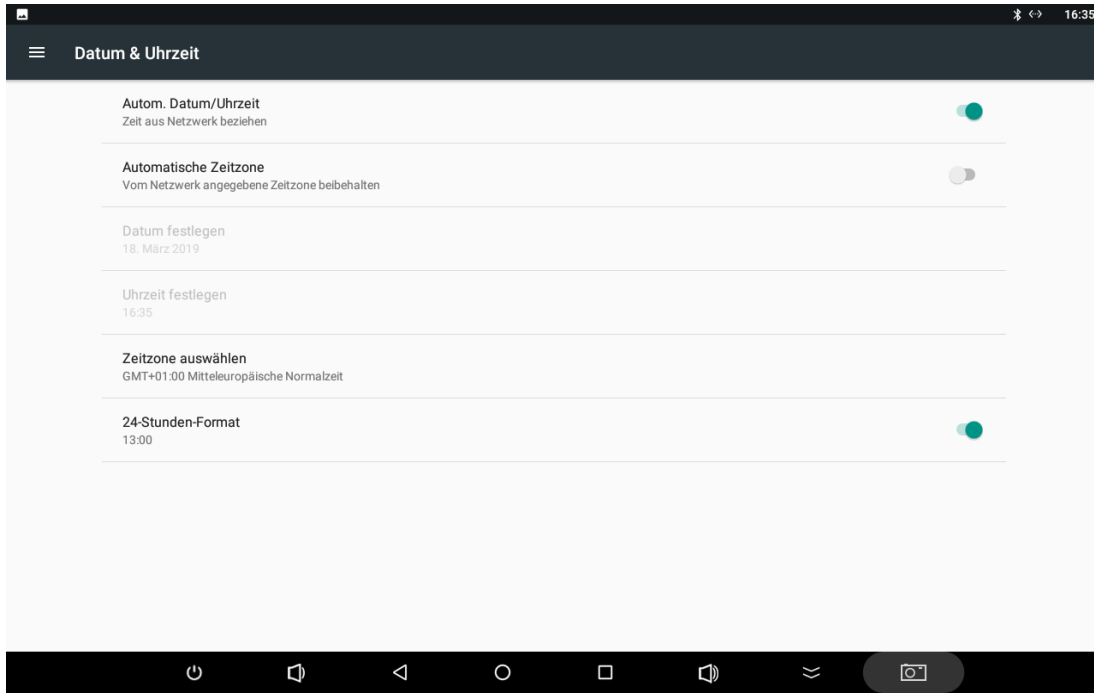
Open the "Settings" app and select "System".

Select the "Date and Time" menu item from the "System" menu item.



You can either obtain the appropriate time zone automatically via the network or change it manually via the "Select time zone" item.



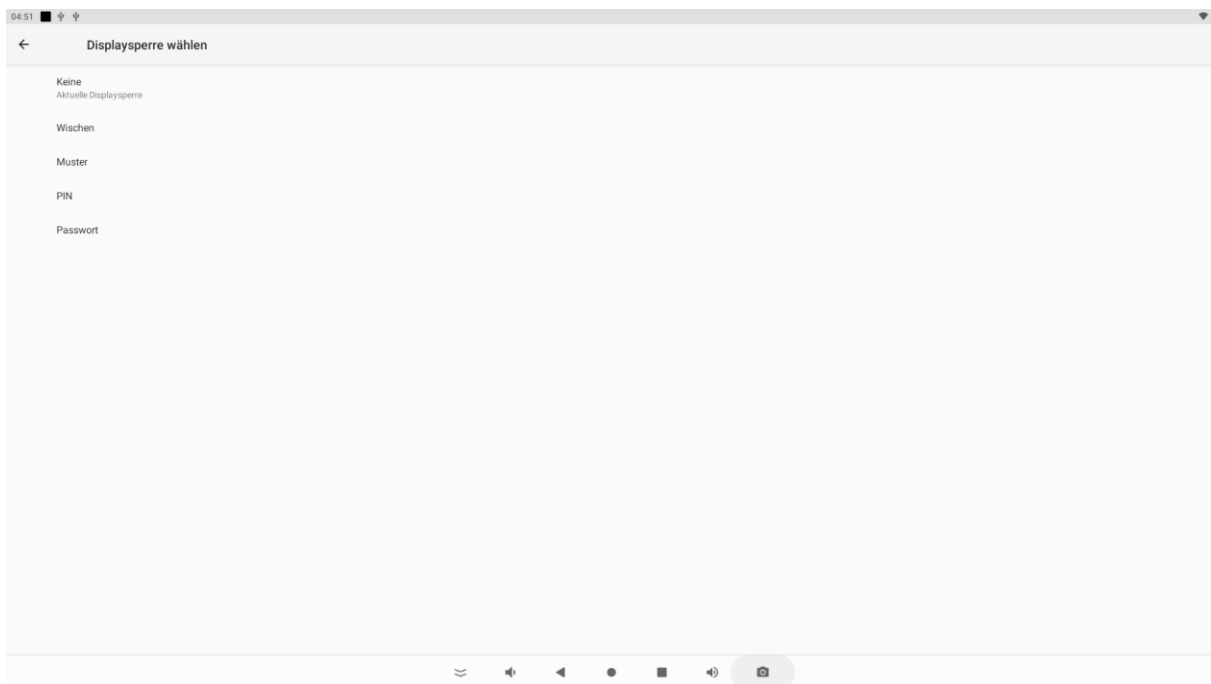


Screen Lock Settings

Open the "Settings" app and then "Security".



Under the item "Device Security/Screen Lock" you can then assign a PIN to unlock the tablet, among other things.



Change Volume Setting

Open the Settings app

Select the "Sounds" menu item from the "Device" menu item. Here you can adjust the volume for media playback, alarms, and notifications.



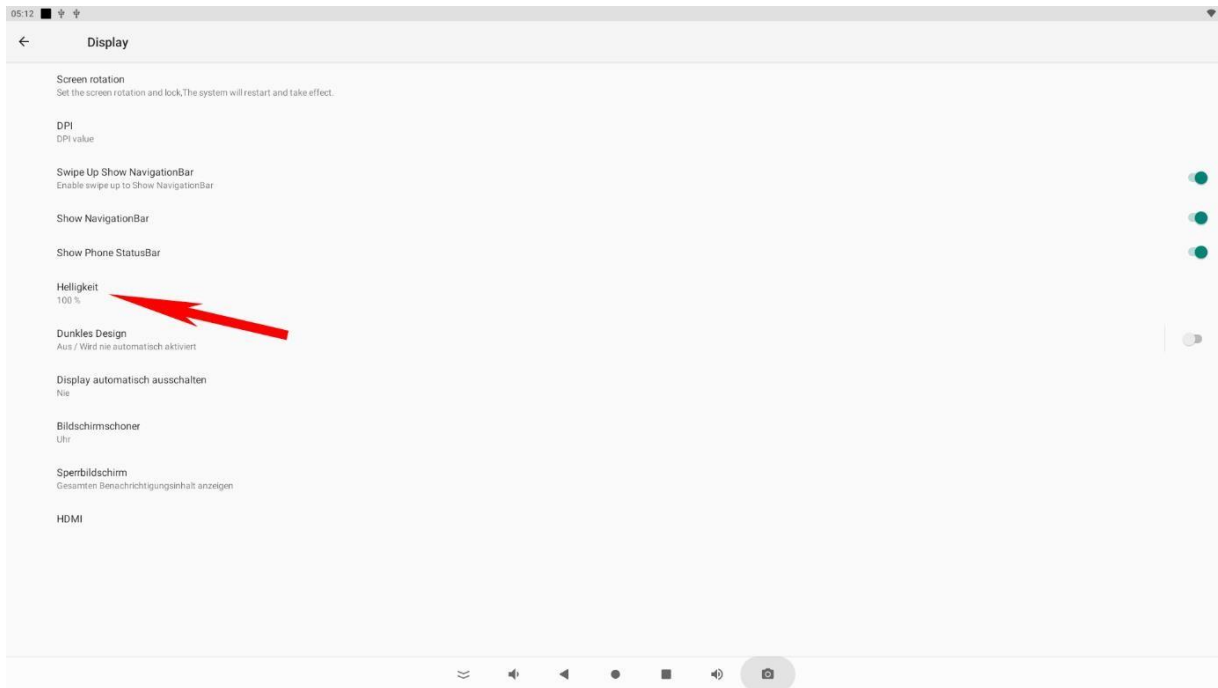
Display settings

Open the Settings app

Select "Display", then click on Brightness Level, now you can adjust the brightness continuously.

In addition to the brightness, you can also change the background or choose a screensaver.

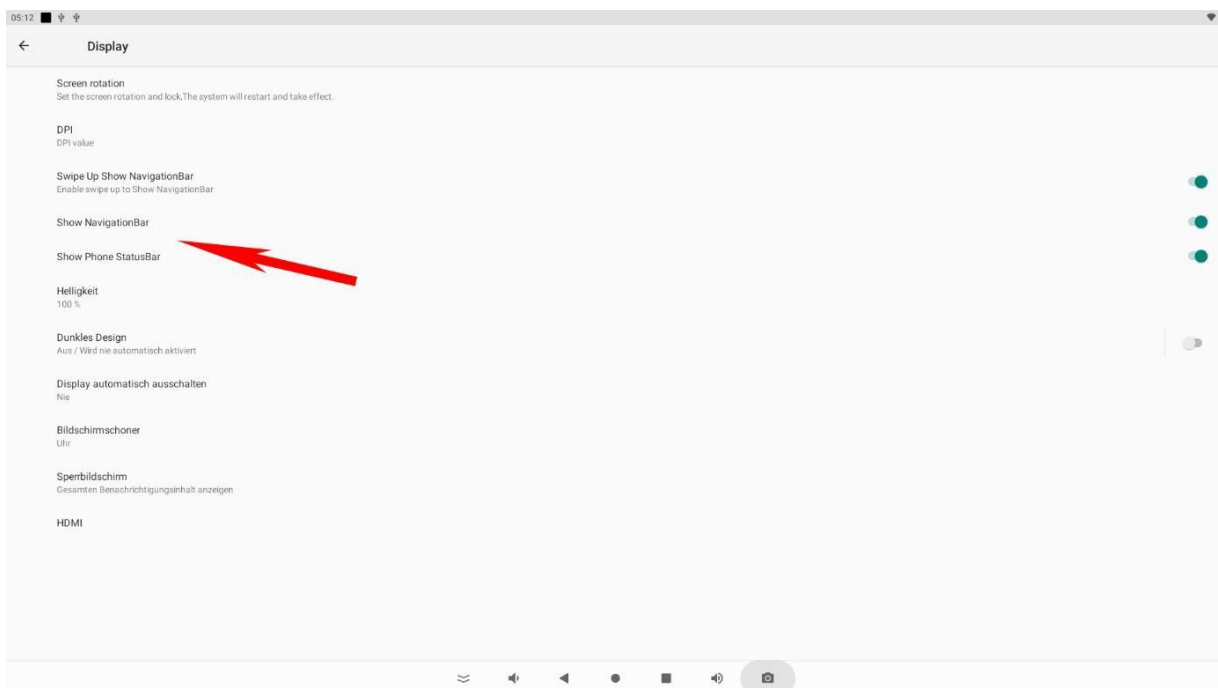




Hide navigation bar/status bar

Open the Settings app

Select Display, then turn off Show NavigationBar/ or Phone StatusBar.

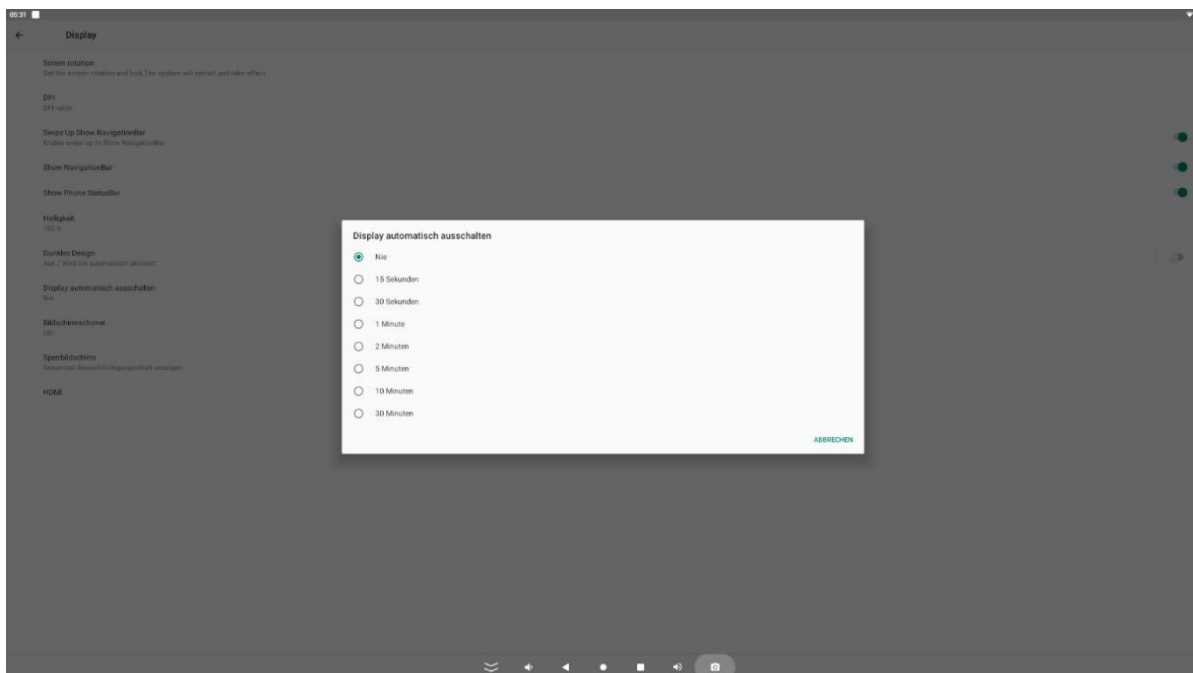
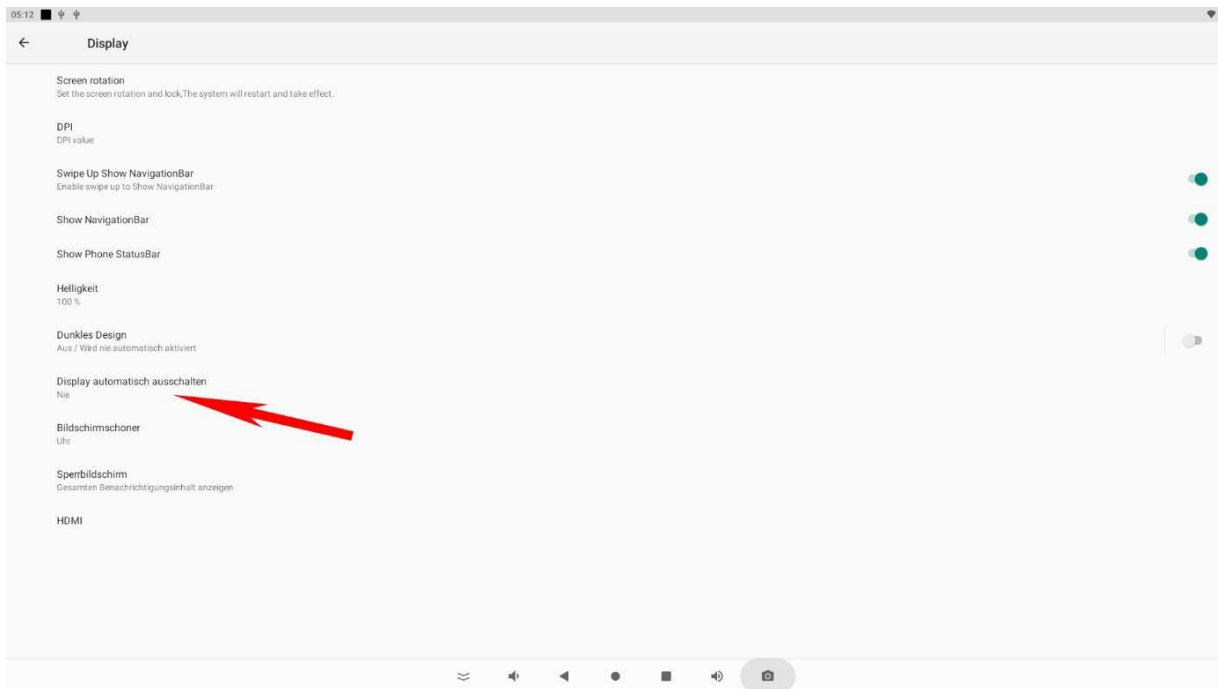


You can also operate the tablet with a mouse and keyboard. The left button is the "Mouse click", the right mouse button is the "Back" button

Settings "Automatically turn off the display"

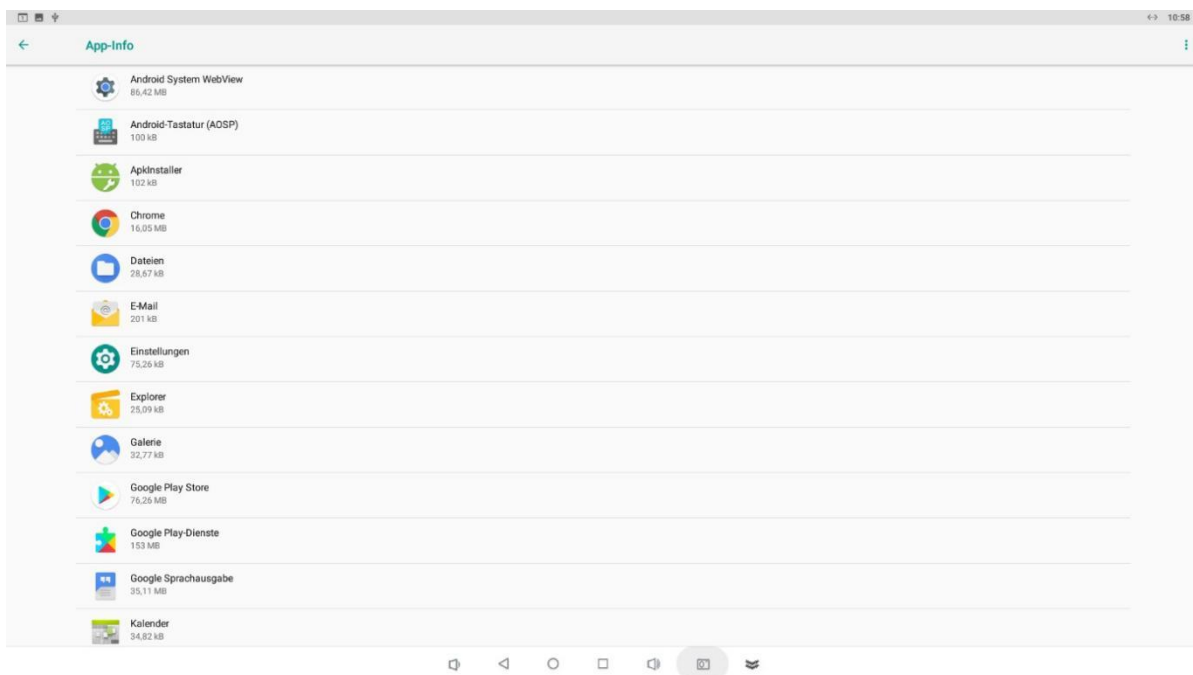
Open the Settings app

Select "Display", then click on Advanced/Hibernation, now you can set the display's power off time. By activating the "Never" menu item, the screen remains active until the tablet is switched off.



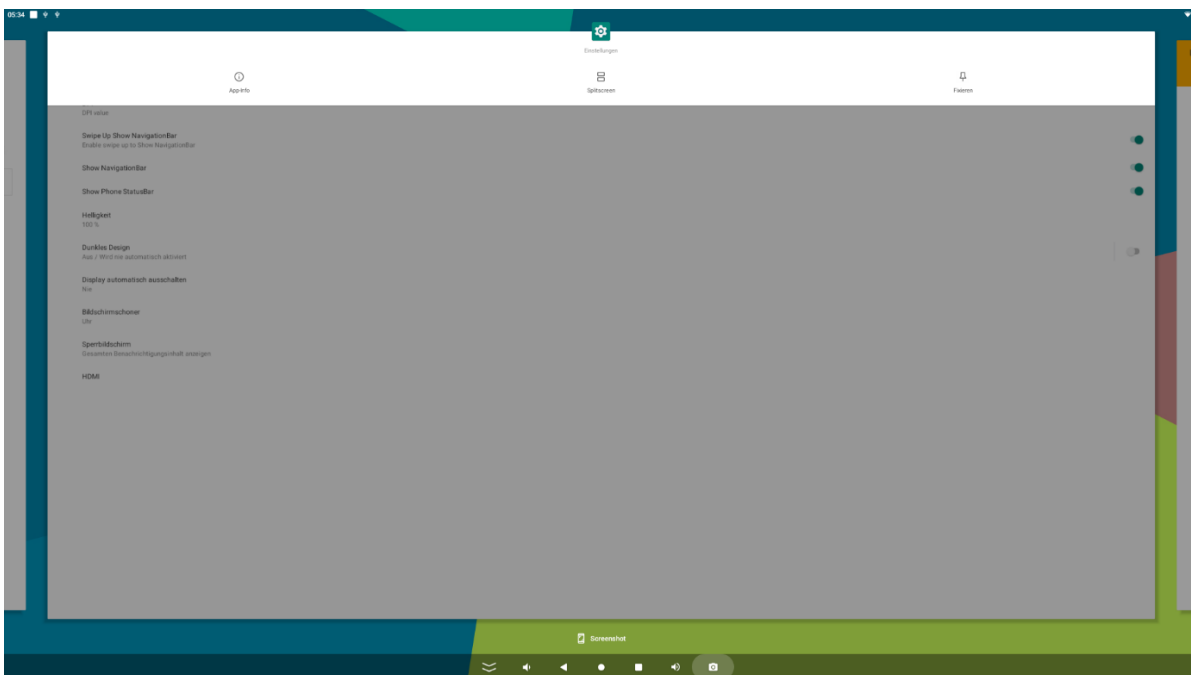
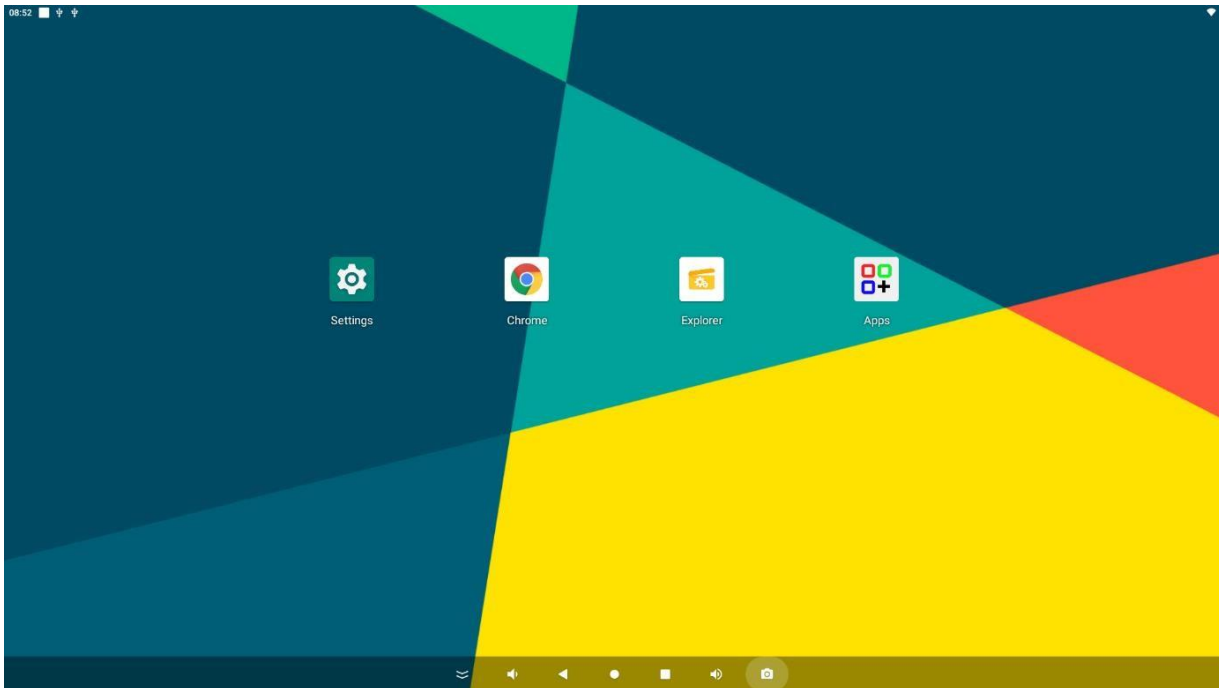
Connection to the Google Play Store

Open the Play Store app and sign in with your Google account details to install the apps you want. If you don't have an account yet, you can create a new account directly from the app. If you have a problem with the launch of the Playstore, a component (Google SystemWebView.apk) of the Google Framework is deprecated and needs to be updated. To do this, the Chrome browser must be deactivated under Settings/Apps so that the SystemWebView.apk is visible. The tablet should update it automatically after some time, so it should be switched on and left on the Internet connection. This app can also be downloaded from external download websites such as APK Mirror. Please note that downloading external pages can be risky. We assume no liability for this!



Quit the app

Click the rectangular icon in the bottom navigation bar. You will then be shown all active apps, which you can then close if you wish.



Split-screen function:

To display two apps at the same time, there is this function.

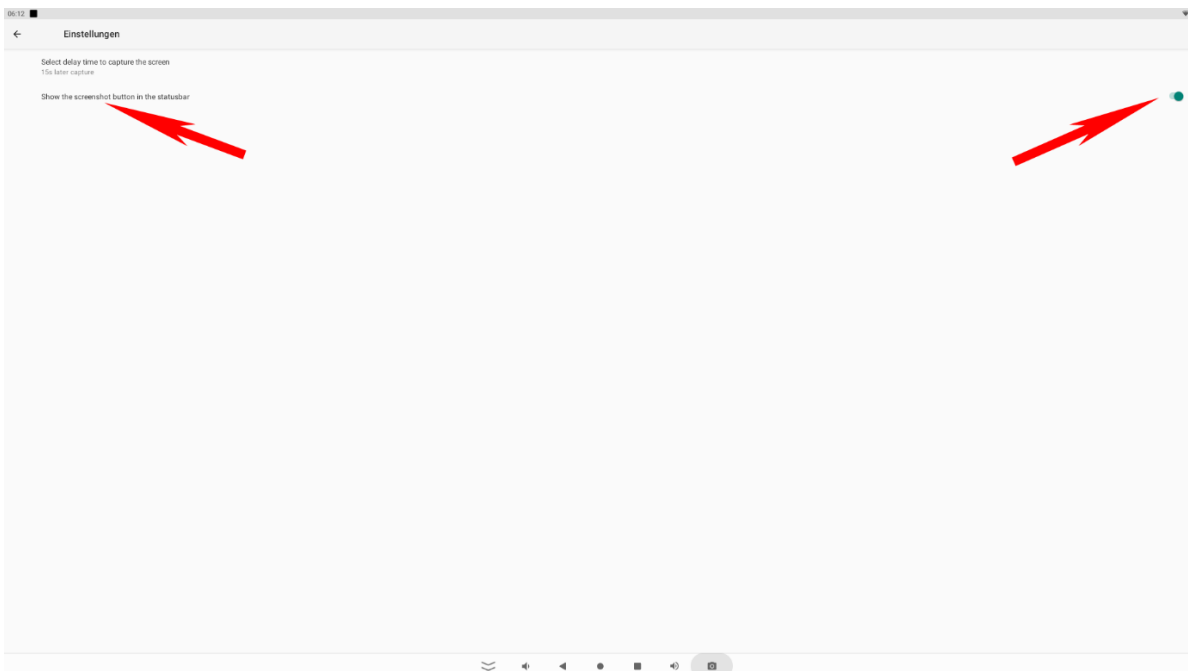
Click the rectangular icon in the bottom navigation bar. You will then see all active apps. Click on the top logo in the middle of the app you want to use. A menu will open. Click on split screen and select the second app by clicking. These must be opened beforehand so that they can be selected.

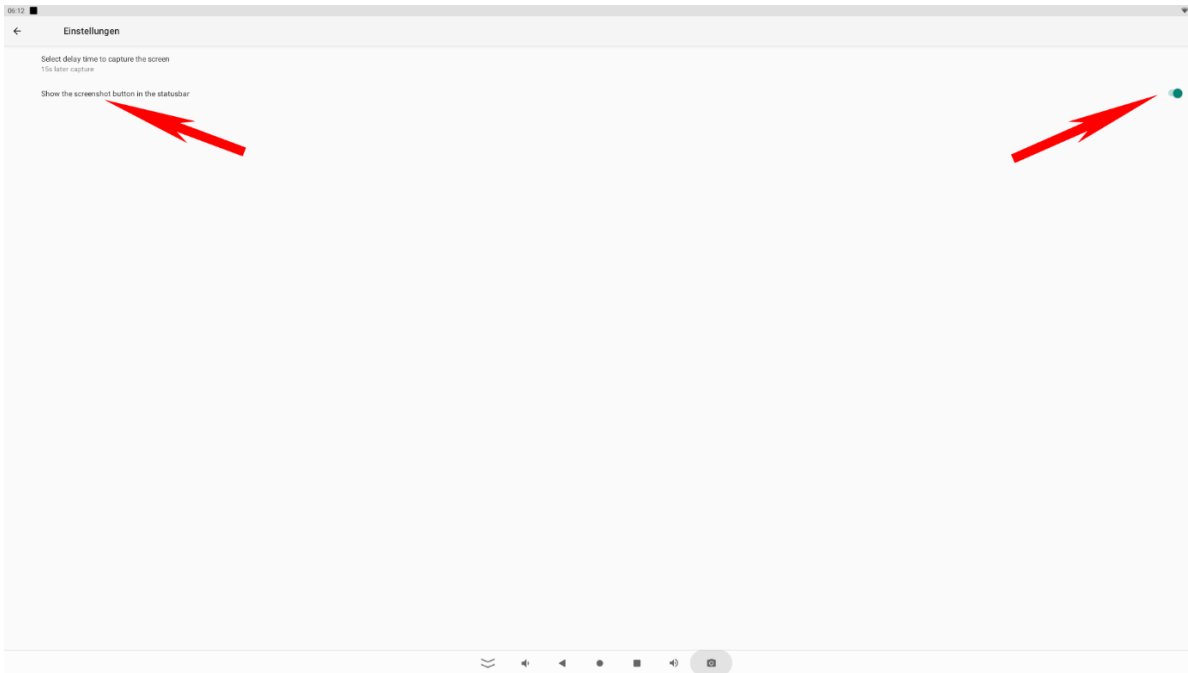
Take a screenshot

Under Settings you will find the item "Screenshot". When clicked, a settings window opens.



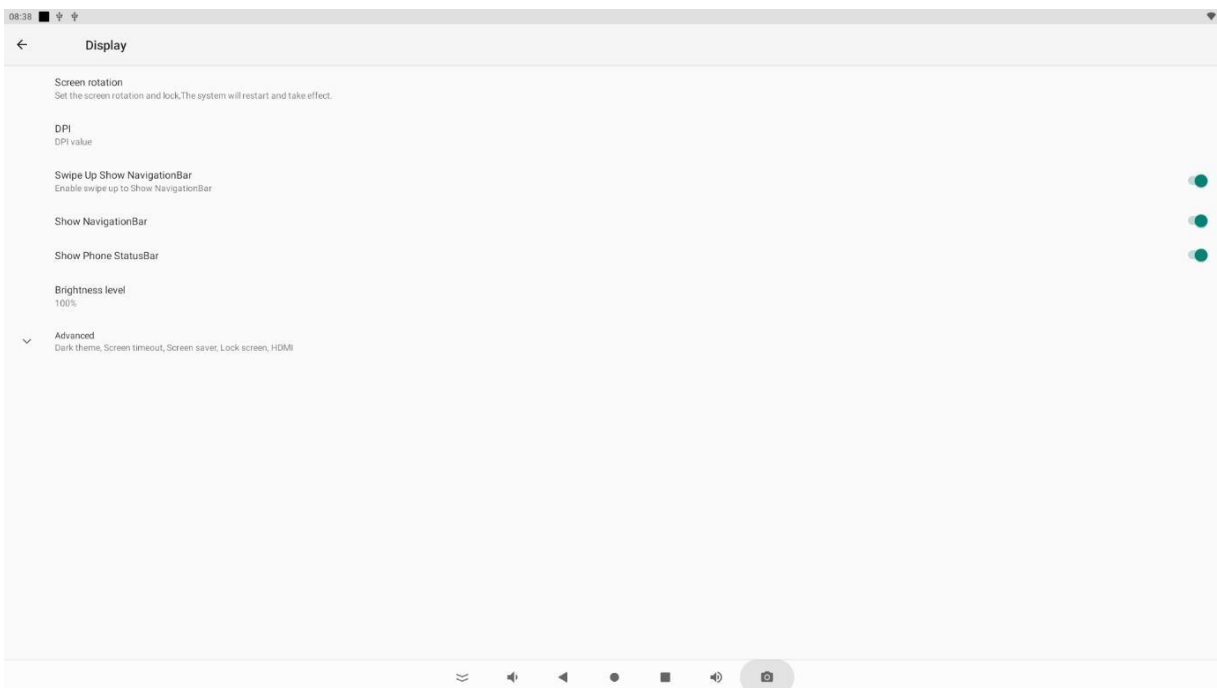
Here you can turn on the function in the navigation bar.



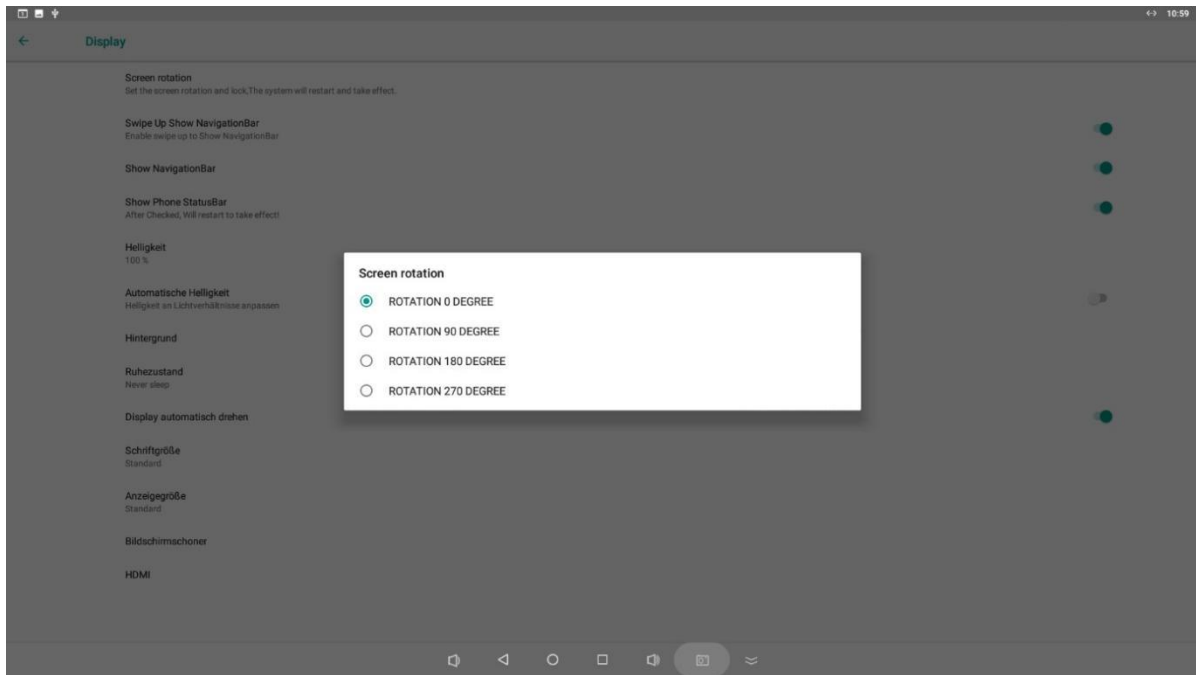


Display Rotation

The display can be used horizontally and vertically. To do this, please go to the Display/Screen Rotation settings.



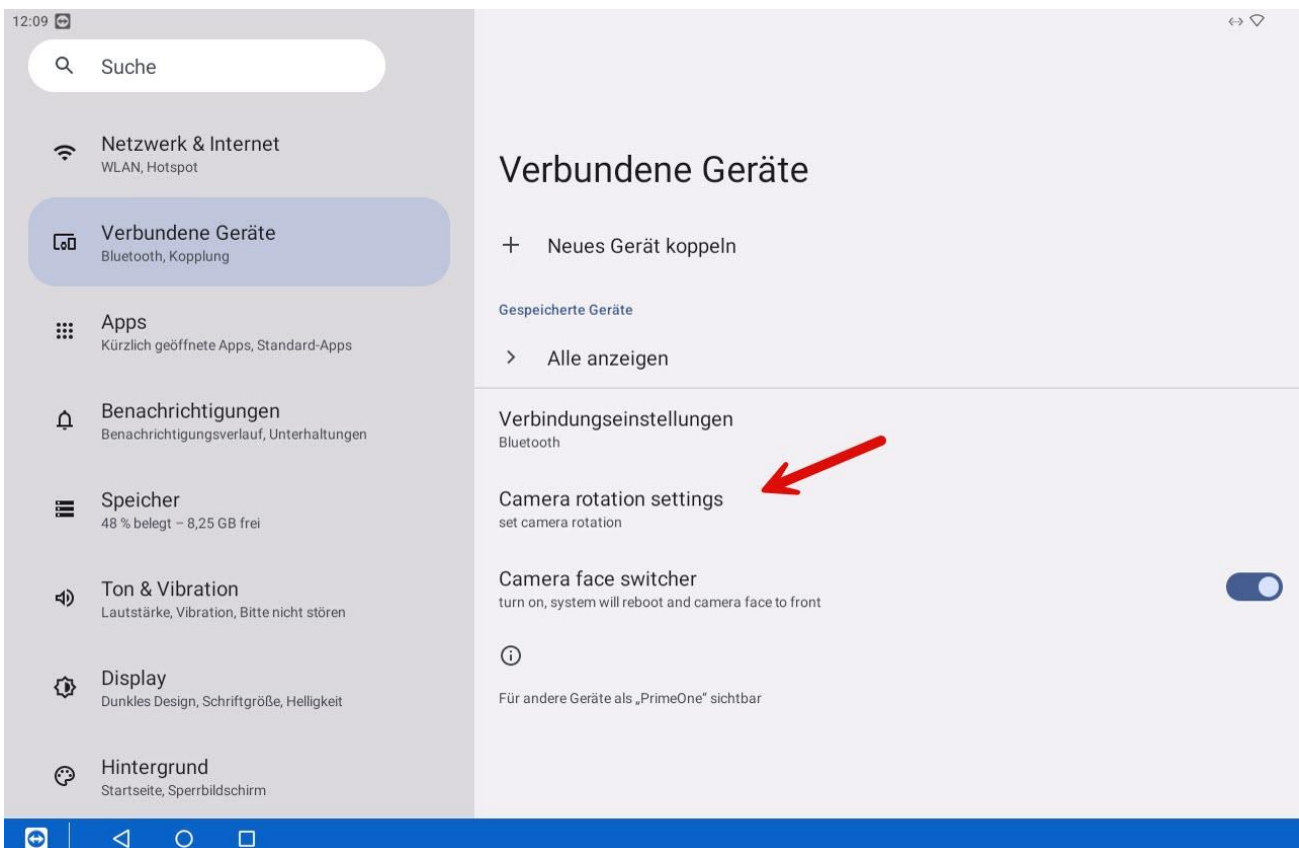
In the pop-up, select the number of degrees of rotation. The tablet will now restart in the set mode.



MDM Mobile Device Management:

The Google certified displays can be controlled with MDM software. To do this, you have to tap on a free space in the wizard 6 times in a row. The camera will open to scan the MDM code. This can also be typed in manually if the entry is incorrect.

A QR code via camera can also be captured. To help, the camera can be rotated and rotated here. This can be done under Settings/Connected Devices.

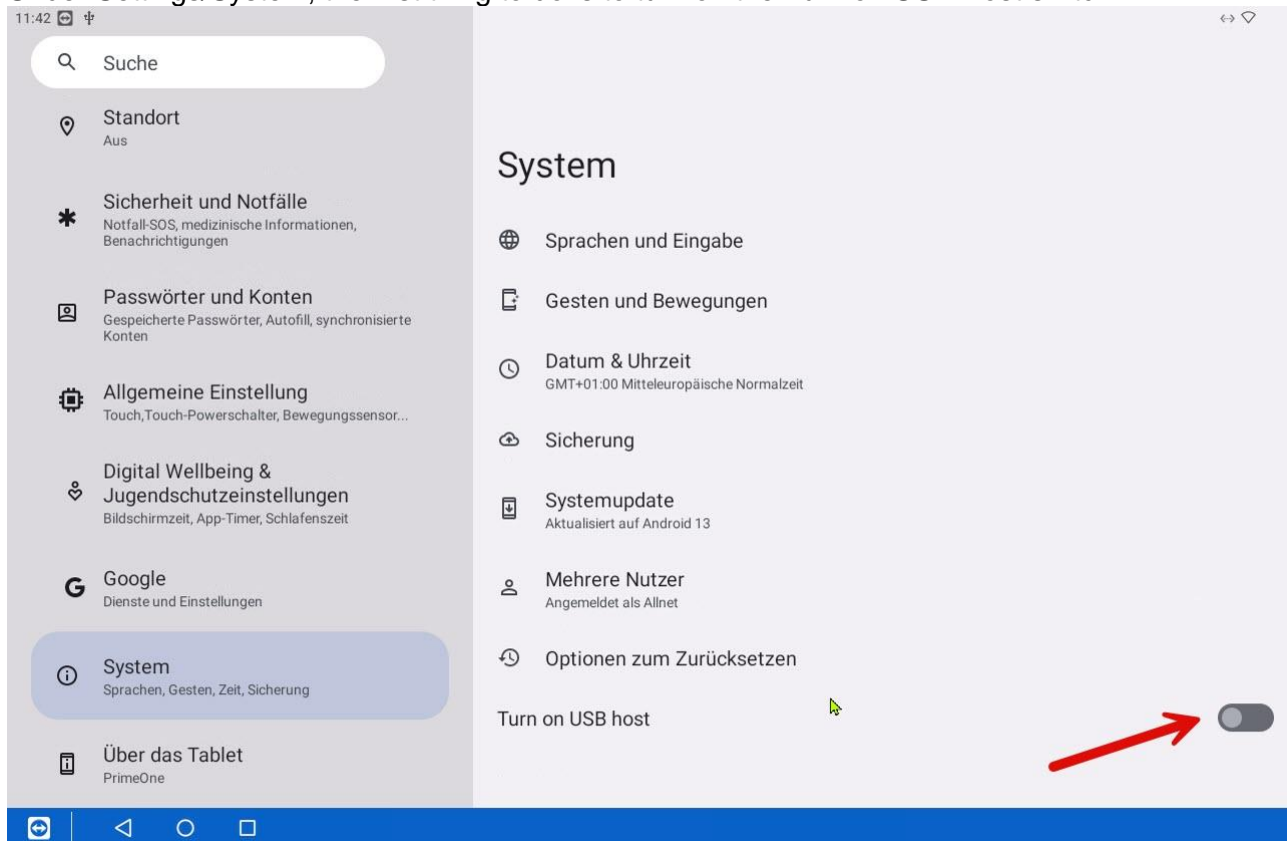


Update Firmware:

To update the firmware to Linux or an AOSP version, the tablet must be connected to the PC with a USB cable USB Type-A to Type-A connector. Before connecting it, please install the Rockchip drivers via the Rockchip DriverAssistant tool.

Note: Please check that no other ADB drivers are installed on the system. This can lead to errors in the detection of the tablet.

Under Settings/System, the first thing to do is to turn off the Turn on USB Host switch.



To flash the firmware, you need the AndroidTool_Release v5.1.1. Please write to our support to receive the firmware and the download link, support@allnet.de.

Here are the individual steps:

1. Install the "Release_DriverAssitant" driver.
2. Android-Tool start
3. Connect the USB port to the PC and tablet and connect the power adapter
4. You will now see an ADB device in the Android tool
5. Press the Firmware button under the "Upgrade Firmware" tab and select the Linux/Android image
6. Then press the "Switch" button
7. The tablet should now turn off the screen and there should be a loader device in the Android tool, takes about 30sec. If that doesn't work, there is a small hole next to the power connection on the tablet. There, with a bent paper clip, feel the switch behind it and at the same time give power. Press and hold the switch for about 3 seconds.
8. Then press the "EraseFlash" button, only necessary in case of errors or when changing systems
9. When the process is finished, you can click on the "Upgrade" button and the image will flash the Linux/Android to the system.
10. The device will automatically restart after the update process.

Update via USB with OTA Image:

An OTA image has the property of not deleting USER data, like a mobile phone. This image can be transferred via a server or installed via a USB stick.

Please save the firmware zip file under the name update.zip in the main directory of a USB stick. Start the tablet with an inserted USB stick (USB3.0 port). The tablet should update automatically. If that doesn't happen, go to Settings/System/systemupdates and install it manually.

!! Attention!!! The Google license expires if the firmware is deleted, replaced or changed if the OTA update offered by ALLNET is not used. This is especially true for a reinstallation of Linux on Android. In this case, there is also no entitlement to warranty or replacement.

CE

CE-Declaration of Conformity



For the following equipment:

Germering, 20th of July, 2023

ALLNET PrimeOne Series Tablet



The safety advice in the documentation accompanying the products shall be obeyed. The conformity to the above directive is indicated by the CE sign on the device. This attestation of conformity is according to the provisions of EU ROHS Directive 2011/65/EU & (EU) 2015/863, it is confirmed the product has been tested and found in conformity with below standards.

Requirement	Applied Standards	Result
2011/65/EU & (EU) 2015/863	IEC 62321-3-1:2013 / IEC 62321-5:2013	Conform
	IEC 62321-4:2013+A1:2017	
	IEC 62321-7-2:2017/ IEC 62321-6:2015	
	IEC 62321-7-1:2015/ IEC 62321-8:2017	

This equipment is intended to be operated in all countries.

This declaration is made by

ALLNET GmbH Computersysteme Maistraße 2
82110 Germering Germany

Germering, 20.07.2023


Wolfgang Marcus Bauer
CEO