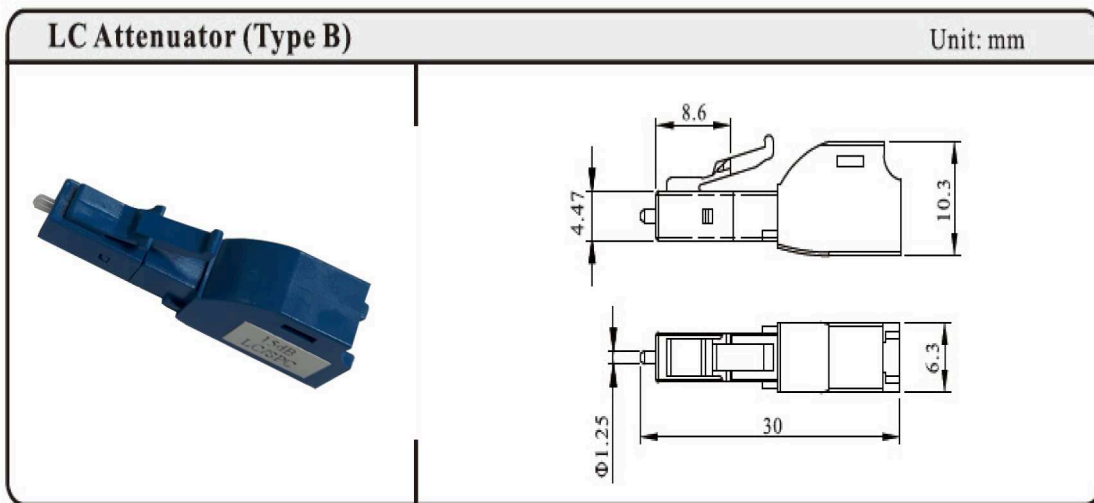


DATENBLATT

Dämpfungsglied LC/SPC

Art. Nr.: 533680.X



Eigenschaften

Item	Specifications	
	A Grade	P Grade
Wavelength	850nm (Multi-Mode)	
Attenuation Tolerance(dB)	2dB,5dB,10dB $<\pm 1.0\text{dB}$	2dB,5dB,10dB $<\pm 0.5\text{dB}$
	15dB $<\pm (10\% \times A)^*$	15dB $<\pm (5\% \times A)^*$
Return Loss	/	
Operating Temperature	$-40^{\circ}\text{C} \sim +75^{\circ}\text{C}$	
Storage Temperature	$-40^{\circ}\text{C} \sim +75^{\circ}\text{C}$	
Note: A = Attenuation Value		

Item	Specifications	
	A Grade	P Grade
Wavelength	1310nm and 1550nm (Single-Mode)	
Attenuation Tolerance(dB)	1-10dB $<\pm 1.0\text{dB}$	1-10dB $<\pm 0.5\text{dB}$
	11-25dB $<\pm (10\% \times A)^*$	11-25dB $<\pm (5\% \times A)^*$
Return Loss	RL $\leq -50\text{dB}$ (UPC) RL $\leq -60\text{dB}$ (APC)	
PDL	$<0.1\text{dB}$	
Operating Temperature	$-40^{\circ}\text{C} \sim +75^{\circ}\text{C}$	
Storage Temperature	$-40^{\circ}\text{C} \sim +75^{\circ}\text{C}$	
Note: A = Attenuation Value		



Art.-Nr.	533680.X	Datei	533680.X.indd		
Beschreibung	Dämpfungsglied LC/SPC				
Erstellt	Datum	Letzte Revision	Datum	Geprüft	Datum
JB	20.07.2016	JB	20.07.2016	JB	20.07.2016