

## ALLNET Touch Display Tablet 14 inch mounting frame



### EAN CODE



flush mount / mounting frame for 14" inch tablet (142997)

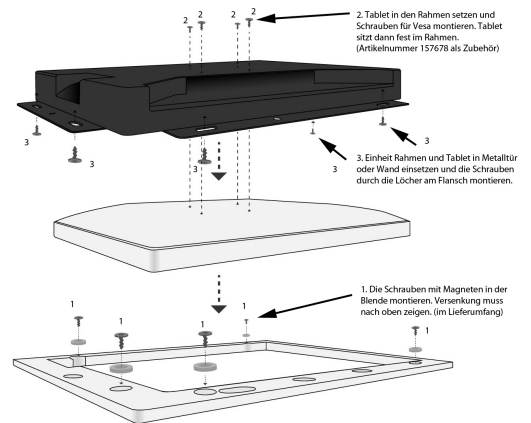
only the frame, without tablet!

Please keep in mind that the speakers and microphones are located on the back of the tablet and thus the quality and volume of the sound options will be limited once the tablet is installed in a wall.

The tablet is screwed to the frame via the vesa mount and then mounted with it in a drywall or wooden wall. Walls are of course also possible, but is only conditionally recommended due to possible heat accumulation.

Attention, the individual mounting frames are not compatible with our aluminum panels. Panels must be built for this yourself and are also not available individually from us.

## Images supplémentaires



## Accessoires

No. d'article	Désignation
146334	VESA wall mount for tablet, monitors very flat with securing
104257	VESA Wandhalterung Flepo - omicron-1 für Tablet, Monitore
104258	VESA Wandhalterung Flepo - omicron-2 für Tablet, Monitore
151693	ALLNET Touch Display Tablet 14 inch Installation set
151692	ALLNET Touch Display Tablet 14 inch Installation set
186548	ALLNET Injecteur PoE Gigabit PoE & PoE+ (15,4W/30W)
157678	ALLNET Touch Display Tablet zbh. Schrauben Set 4xM3 u. 4xM4 zur Befestigung an Vesa



No. d'article: 147352  
Numéro de fabricant: ALL\_Tablet\_zbh\_14Zoll\_Rahmen

No. d'article	Désignation
	Halterung
107727	Synergy 21 Netzteil - 12V 12W - HEP rund für Unterputzdose
198301	VESA Standfuß Halterung höhenverstellbar für Tablet, Display
198302	VESA Standfuß Halterung höhenverstellbar für Tablet, Display
149144	VESA Adapterplatte Mini-PC an VESA Monitor-Halterung
161472	VESA Desktop Standfuß Halterung Flex für Tablet, Display, Mo
174452	VESA desktop stand mount Flex for tablet