



1500W True Sine Wave DC-AC Power Inverter

TS-1500 series



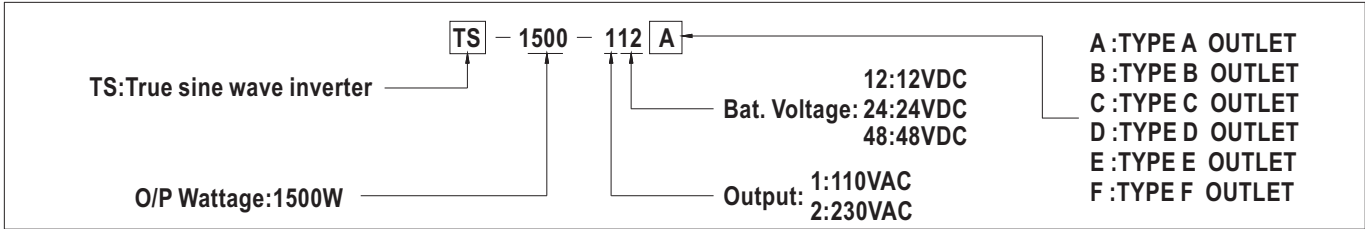
■ Features :

- True sine wave output (THD<3%)
- High surge power up to 3000W
- High efficiency up to 91%
- Power ON-OFF switch
- Standby saving mode can be selectable
- Front panel indicator for operation status
- Thermostatically controlled cooling fan
- Protections: Bat. low alarm / Bat. low shutdown / Over voltage / Over temp. / Output short / Input polarity reverse / Overload
- Application : Home appliance, power tools, office and portable equipment, vehicle and yacht ...etc.
- Optional monitoring software
- 3 years warranty



SPECIFICATION

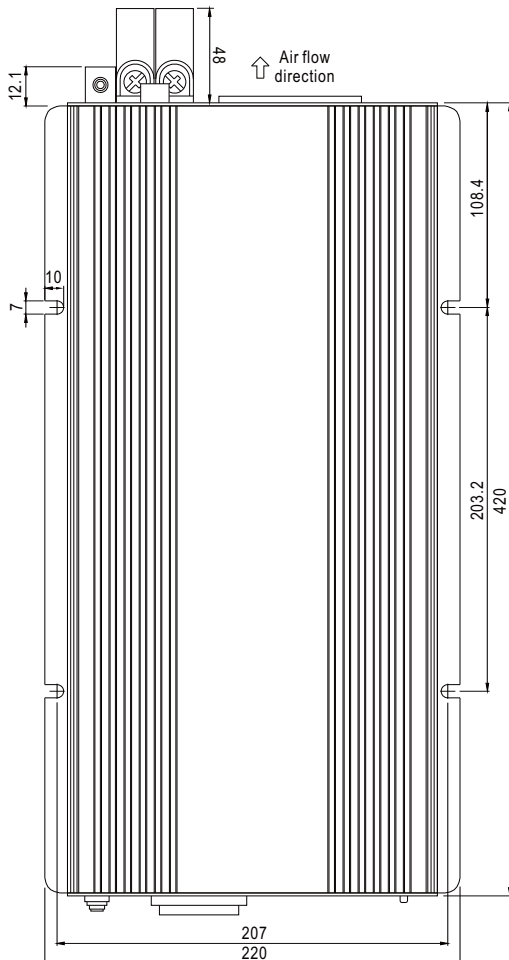
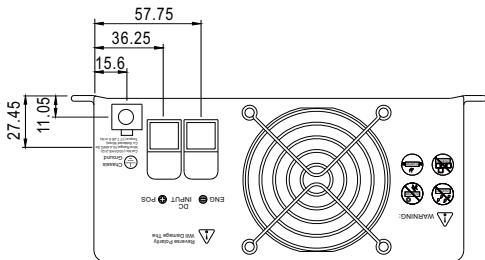
MODEL	TS-1500-112□	TS-1500-124□	TS-1500-148□	TS-1500-212□	TS-1500-224□	TS-1500-248□				
OUTPUT	RATED POWER (Typ.)						1500W			
	MAXIMUM OUTPUT POWER (Typ.)						1725W for 180 sec. / 1875W for 10 sec. / surge power 3000W for 30 cycles			
	AC VOLTAGE			200 / 220 / 230 / 240VAC selectable by setting button			100 / 110 / 115 / 120VAC selectable by setting button			
	FREQUENCY			50/60Hz selectable by setting button S.W			60±0.1Hz			
	WAVEFORM			True sine wave (THD<3%)			50±0.1Hz 50/60Hz selectable by setting button S.W			
	AC REGULATION (Typ.)						±3.0%			
	SAVING MODE (Typ.)						Default disabled. Load ≤5W will be changed to standby mode			
FRONT PANEL INDICATOR						Battery voltage level, output load level, saving mode, fault and operation status				
INPUT	BAT. VOLTAGE		12V	24V	48V	12V	24V	48V		
	VOLTAGE RANGE (Typ.)		Note.3,6		10.5 ~ 15VDC	21 ~ 30VDC	42 ~ 60VDC	10.5 ~ 15VDC	21 ~ 30VDC	42 ~ 60VDC
	DC CURRENT (Typ.)		Note.5		150A	75A	37.5A	150A	75A	37.5A
	NO LOAD DISSIPATION (Typ.)						≤18W @ standby saving mode			
	OFF MODE CURRENT DRAW						≤1mA			
	EFFICIENCY (Typ.)		Note.2		87%	89%	89%	88%	90%	91%
BATTERY TYPES						Open & sealed Lead Acid				
BATTERY INPUT PROTECTION	FUSE		40A*5	30A*3	30A*2	40A*5	30A*3	30A*2		
	BAT. LOW ALARM		11.3±4%	22.5±4%	45±4%	11.3±4%	22.5±4%	45±4%		
	BAT. LOW SHUTDOWN		10.5±4%	21±4%	42±4%	10.5±4%	21±4%	42±4%		
	REVERSE POLARITY						By internal fuse open			
OUTPUT PROTECTION	OVER TEMPERATURE		82°C ± 5°C	82°C ± 5°C	96°C ± 5°C	68°C ± 5°C	68°C ± 5°C	68°C ± 5°C		
	OUTPUT SHORT						Protection type : Shut down o/p voltage, re-power on to recover; by internal RTH3 detect on heatsink of power transistor			
	OVER LOAD (Typ.)						105 ~ 115% load for 180 sec., 115% ~ 125% load for 10 sec.			
	GFCI PROTECTION						UL458 (only for "GFCI" receptacle-Type F) None			
ENVIRONMENT	WORKING TEMP.		Note.1				0 ~ +40°C @ 100% load ; 60°C @ 50% load			
	WORKING HUMIDITY						20% ~ 90% RH non-condensing			
	STORAGE TEMP., HUMIDITY						-30 ~ +70°C / -22 ~ +158°F, 10 ~ 95% RH non-condensing			
	VIBRATION						10 ~ 500Hz, 3G 10min./1cycle, 60min. each along X, Y, Z axes			
SAFETY & EMC	SAFETY STANDARDS						UL458 (only for "GFCI" receptacle-Type F) None			
	LVD						None EN60950-1			
	WITHSTAND VOLTAGE						Bat I/P - AC O/P:3.0KVAC AC O/P - FG:1.5KVAC			
	EMC EMISSION			Compliance to FCC class A			Compliance to EN55032 class B, 72/ 245/ CEE, 95/ 54/ CE, E-Mark			
	EMC IMMUNITY			None			Compliance to EN61000-4-2,3,8			
OTHERS	CONTROL WIRING						RJ11 -RS232 (Option)			
	DIMENSION						420*220*88mm (L*W*H)			
	PACKING						6.81Kg; 2pcs/14.6Kg/1.61CUFT			
NOTE	1.Output derating capacity referenced by curve 1. 2.TH.D and Efficiency is tested by 1000W, linear load at 13V, 26V, 52V input voltage. 3.Input derating capacity referenced by curve 2. 4.All parameters not specified above are measured at rated load, 25°C of ambient temperature and set to factory setting. 5.DC current is tested by 1500W, linear load at 13V, 26V, 52V input voltage. 6.The tolerance of each voltage value by models is:112/212→±0.5V;124/224→±1V;148/248→±2V. 7.Please do not turn on the inverter before start the engine if inverter connect to vehicle's battery directly.									



■ AC Output Receptacles (optional)

Receptacle type						
	TYPE-A	TYPE-B	TYPE-C	TYPE-D	TYPE-E	TYPE-F
Country	USA	EUROPE	AUSTRALIA	U.K	JAPAN	GFCI
Certificate						

■ Mechanical Specification



■ Derating Curve

Unit:mm

