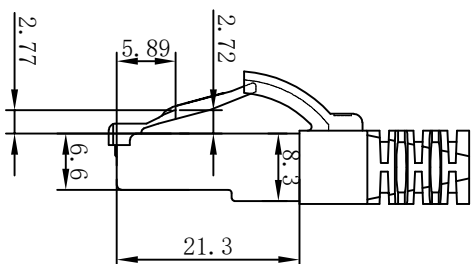
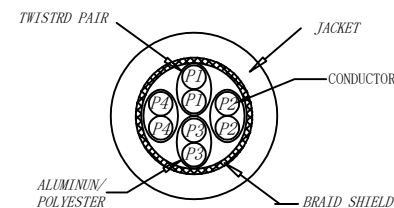
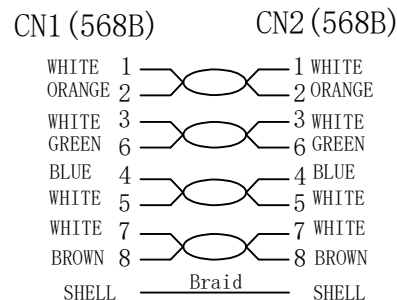




CAT.6 S/FTP LSZH TPE 250MHz ISO/IEC 11801 & EN50173-1 & ANSI/TIA-568-C.2 www.Synergy21.de CE

PIN OUT



MATERIAL LIST

| NO. | PARTS NAME       | SPECIFICATION STANDARD  | QT' Y | REMARK |
|-----|------------------|---|-------|--------|
| ⑥   | LABEL            | NO DRY GLUE LABEL   | 1     |        |
| ⑤   | MINI TIE         | PE MINI TIE(POSSESS METAL) COLOUR SEE THE CHART   | 2     |        |
| ④   | POLYETHYLENE BAG | SYNERGY 21 SLIP PE BAG  | 1     |        |
| ③   | CABLE            | CAT.6 S/FTP 27AWG (BC*1P+AL-FOIL)*4+Braid(AL-MG)<br>JACKET:TPE LSZH OD:6.0±0.2mm COLOUR SEE THE CHART | 1     |        |
| ②   | Over mold        | 80A PVC, COLOR:SEE THE CHART  | 2     |        |
| ①   | Plug             | RJ45 8P8C' S SHIELDED , THE SHELL PLATED NICKEL , PIN GOLD PLATED 3u" RED/TRANSPARENT                 | 2     |        |

NOTE:

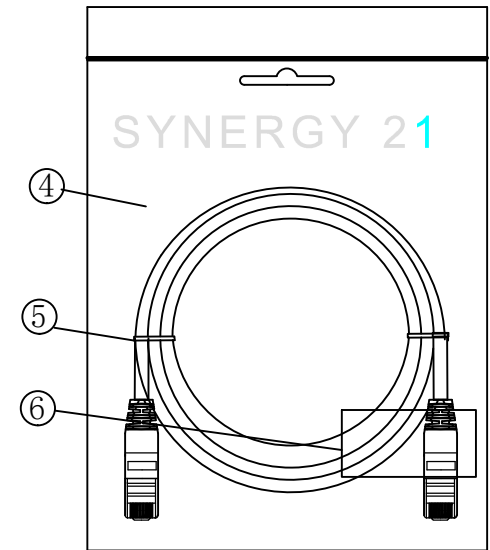
- ELECTRICAL TEST:
  - 100% OPEN SHORT, MISS WIRE TEST
  - INSULATION RESISTANCE:DC 300V 10M Ohm;
  - CONTACTOR RESISTANCE:1 OHM per meter
- FLUKE TEST LIMIT:ISO11801 Channel Class E
- Working temperature:-10°C ~ + 60°C
- Storage temperature:-20°C~+75°C
- RoHS 3.0 AND REACH compliant
- TPE LSZH:Non fire retardant (Conform IEC60754-2、IEC 61034)
- Packing:Synergy21 PE Bag+Label
- Minimum of the bending radius is 60mm

| NO.          | DESCRIPTION                      | DATE                          | REV.          | SYNERGY 21  |              |    |          |               |  |  |              |                                  |                      |       |      |    |         |         |        |      |  |  |            |            |            |            |  |  |
|--------------|----------------------------------|-------------------------------|---------------|---|--------------|----|----------|---------------|--|--|--------------|----------------------------------|----------------------|-------|------|----|---------|---------|--------|------|--|--|------------|------------|------------|------------|--|--|
| Hasia        | change "ROSH 2.0" to "ROSH 3.0"  | 2022-02-25                    | A6            | <table border="1"> <tr> <td colspan="2">CUSTOMER NO.</td> <td>ITEM NO.</td> <td colspan="3">SEE THE CHART</td> </tr> <tr> <td>PRODUCT NAME</td> <td>CAT. 6 S/FTP PATCH CORD TPE LSZH</td> <td>manufacture country:</td> <td>CHINA</td> <td>UNIT</td> <td>MM</td> </tr> <tr> <td>DRAWNBY</td> <td>CHECKBY</td> <td>APPOBY</td> <td colspan="3">DATE</td> </tr> <tr> <td>SYNERGY 21</td> <td>SYNERGY 21</td> <td>SYNERGY 21</td> <td colspan="3">2015-01-20</td> </tr> </table> | CUSTOMER NO. |    | ITEM NO. | SEE THE CHART |  |  | PRODUCT NAME | CAT. 6 S/FTP PATCH CORD TPE LSZH | manufacture country: | CHINA | UNIT | MM | DRAWNBY | CHECKBY | APPOBY | DATE |  |  | SYNERGY 21 | SYNERGY 21 | SYNERGY 21 | 2015-01-20 |  |  |
| CUSTOMER NO. |                                  | ITEM NO.                      | SEE THE CHART |   |              |    |          |               |  |  |              |                                  |                      |       |      |    |         |         |        |      |  |  |            |            |            |            |  |  |
| PRODUCT NAME | CAT. 6 S/FTP PATCH CORD TPE LSZH | manufacture country:          | CHINA         |   | UNIT         | MM |          |               |  |  |              |                                  |                      |       |      |    |         |         |        |      |  |  |            |            |            |            |  |  |
| DRAWNBY      | CHECKBY                          | APPOBY                        | DATE          |   |              |    |          |               |  |  |              |                                  |                      |       |      |    |         |         |        |      |  |  |            |            |            |            |  |  |
| SYNERGY 21   | SYNERGY 21                       | SYNERGY 21                    | 2015-01-20    |   |              |    |          |               |  |  |              |                                  |                      |       |      |    |         |         |        |      |  |  |            |            |            |            |  |  |
|              | Add New Color                    | 2019-03-14                    | A5            |   |              |    |          |               |  |  |              |                                  |                      |       |      |    |         |         |        |      |  |  |            |            |            |            |  |  |
|              | Increase the minimum bend radius | 2018-11-30                    | A4            |   |              |    |          |               |  |  |              |                                  |                      |       |      |    |         |         |        |      |  |  |            |            |            |            |  |  |
|              | Add moulding size                | 2018-06-19                    | A3            |   |              |    |          |               |  |  |              |                                  |                      |       |      |    |         |         |        |      |  |  |            |            |            |            |  |  |
|              | Change Moulding                  | 2018-05-29                    | A2            |   |              |    |          |               |  |  |              |                                  |                      |       |      |    |         |         |        |      |  |  |            |            |            |            |  |  |
|              | CHANGE PACKING AND BOX MARK      | 2018-03-12                    | A1            |   |              |    |          |               |  |  |              |                                  |                      |       |      |    |         |         |        |      |  |  |            |            |            |            |  |  |
| BY           | CHK                              | REVISION RECORD MODIFICATIONS | DATE          | REV.  |              |    |          |               |  |  |              |                                  |                      |       |      |    |         |         |        |      |  |  |            |            |            |            |  |  |

| COLOR:WHITE |             |                  |
|-------------|-------------|------------------|
| ITEM        | LENGTH (mm) | PACKING          |
| S216930     | 150±5       | SYNERGY 21 Bag A |
| S216900     | 250±10      | SYNERGY 21 Bag A |
| S216901     | 500±15      | SYNERGY 21 Bag A |
| S216902     | 1000±30     | SYNERGY 21 Bag A |
| S216903     | 1500±30     | SYNERGY 21 Bag A |
| S216904     | 2000±30     | SYNERGY 21 Bag A |
| S216905     | 3000±50     | SYNERGY 21 Bag A |
| S216906     | 5000±200    | SYNERGY 21 Bag B |
| S216907     | 7500±200    | SYNERGY 21 Bag B |
| S216908     | 10000±200   | SYNERGY 21 Bag B |
| S216909     | 15000±300   | SYNERGY 21 Bag C |
| S216910     | 20000±300   | SYNERGY 21 Bag C |
| S216911     | 25000±300   | SYNERGY 21 Bag C |
| S216912     | 30000±300   | SYNERGY 21 Bag D |
| S216913     | 40000±300   | SYNERGY 21 Bag D |
| S216914     | 50000±300   | SYNERGY 21 Bag D |

| COLOR:BLACK PANTONE BLACK 3C |             |                  |
|------------------------------|-------------|------------------|
| ITEM                         | LENGTH (mm) | PACKING          |
| S216931                      | 150±5       | SYNERGY 21 Bag A |
| S216915                      | 250±10      | SYNERGY 21 Bag A |
| S216916                      | 500±15      | SYNERGY 21 Bag A |
| S216917                      | 1000±30     | SYNERGY 21 Bag A |
| S216918                      | 1500±30     | SYNERGY 21 Bag A |
| S216919                      | 2000±30     | SYNERGY 21 Bag A |
| S216920                      | 3000±50     | SYNERGY 21 Bag A |
| S216921                      | 5000±200    | SYNERGY 21 Bag B |
| S216922                      | 7500±200    | SYNERGY 21 Bag B |
| S216923                      | 10000±200   | SYNERGY 21 Bag B |
| S216924                      | 15000±300   | SYNERGY 21 Bag C |
| S216925                      | 20000±300   | SYNERGY 21 Bag C |
| S216926                      | 25000±300   | SYNERGY 21 Bag C |
| S216927                      | 30000±300   | SYNERGY 21 Bag D |
| S216928                      | 40000±500   | SYNERGY 21 Bag D |
| S216929                      | 50000±500   | SYNERGY 21 Bag D |

| COLOR:RED PANTONE 199C |             |                  |
|------------------------|-------------|------------------|
| ITEM                   | LENGTH (mm) | PACKING          |
| S216689                | 150±5       | SYNERGY 21 Bag A |
| S216690                | 250±10      | SYNERGY 21 Bag A |
| S216691                | 500±15      | SYNERGY 21 Bag A |
| S216692                | 1000±30     | SYNERGY 21 Bag A |
| S216693                | 1500±30     | SYNERGY 21 Bag A |
| S216694                | 2000±30     | SYNERGY 21 Bag A |
| S216695                | 3000±50     | SYNERGY 21 Bag A |
| S216696                | 5000±200    | SYNERGY 21 Bag B |
| S216697                | 7500±200    | SYNERGY 21 Bag B |
| S216698                | 10000±200   | SYNERGY 21 Bag B |
| S216699                | 15000±300   | SYNERGY 21 Bag C |



|       |     |                               |            |      |  |
|-------|-----|-------------------------------|------------|------|--|
|       |     |                               |            |      |  |
|       |     |                               |            |      |  |
|       |     |                               |            |      |  |
|       |     |                               |            |      |  |
| Hasia |     | ADD RED CABLE                 | 2022-05-10 | A7   |  |
|       |     | NEW                           | 2015-01-20 | A    |  |
| BY    | CHK | REVISION RECORD MODIFICATIONS | DATE       | REV. |  |

|              |                                  |                      |            |               |    |
|--------------|----------------------------------|----------------------|------------|---------------|----|
| SYNERGY 21   |                                  |                      |            |               |    |
| CUSTOMER NO. |                                  | ITEM NO.             |            | SEE THE CHART |    |
| PRODUCT NAME | CAT. 6 S/FTP PATCH CORD TPE LSZH | manufacture country: | CHINA      | UNIT          | MM |
| DRAWNBY      | CHECKBY                          | APPOBY               | DATE       |               |    |
| SYNERGY 21   | SYNERGY 21                       | SYNERGY 21           | 2015-01-20 |               |    |

| COLOR:GREY RAL 7035 |             |                  |
|---------------------|-------------|------------------|
| ITEM                | LENGTH (mm) | PACKING          |
| S216932             | 150±5       | SYNERGY 21 Bag A |
| S216933             | 250±10      | SYNERGY 21 Bag A |
| S216934             | 500±15      | SYNERGY 21 Bag A |
| S216935             | 1000±30     | SYNERGY 21 Bag A |
| S216936             | 1500±30     | SYNERGY 21 Bag A |
| S216937             | 2000±30     | SYNERGY 21 Bag A |
| S216938             | 3000±50     | SYNERGY 21 Bag A |
| S216939             | 5000±200    | SYNERGY 21 Bag B |
| S216940             | 7500±200    | SYNERGY 21 Bag B |
| S216941             | 10000±200   | SYNERGY 21 Bag B |
| S216942             | 15000±300   | SYNERGY 21 Bag C |

| COLOR:BLUE PANTONE 647C |             |                  |
|-------------------------|-------------|------------------|
| ITEM                    | LENGTH (mm) | PACKING          |
| S216943                 | 150±5       | SYNERGY 21 Bag A |
| S216944                 | 250±10      | SYNERGY 21 Bag A |
| S216945                 | 500±15      | SYNERGY 21 Bag A |
| S216946                 | 1000±30     | SYNERGY 21 Bag A |
| S216947                 | 1500±30     | SYNERGY 21 Bag A |
| S216948                 | 2000±30     | SYNERGY 21 Bag A |
| S216949                 | 3000±50     | SYNERGY 21 Bag A |
| S216950                 | 5000±200    | SYNERGY 21 Bag B |
| S216951                 | 7500±200    | SYNERGY 21 Bag B |
| S216952                 | 10000±200   | SYNERGY 21 Bag B |
| S216953                 | 15000±300   | SYNERGY 21 Bag C |

| COLOR:YELLOW PANTONE 135C |             |                  |
|---------------------------|-------------|------------------|
| ITEM                      | LENGTH (mm) | PACKING          |
| S216954                   | 150±5       | SYNERGY 21 Bag A |
| S216955                   | 250±10      | SYNERGY 21 Bag A |
| S216956                   | 500±15      | SYNERGY 21 Bag A |
| S216957                   | 1000±30     | SYNERGY 21 Bag A |
| S216958                   | 1500±30     | SYNERGY 21 Bag A |
| S216959                   | 2000±30     | SYNERGY 21 Bag A |
| S216960                   | 3000±50     | SYNERGY 21 Bag A |
| S216961                   | 5000±200    | SYNERGY 21 Bag B |
| S216962                   | 7500±200    | SYNERGY 21 Bag B |
| S216963                   | 10000±200   | SYNERGY 21 Bag B |
| S216964                   | 15000±300   | SYNERGY 21 Bag C |

| COLOR:GREEN PANTONE 3278C |             |                  |
|---------------------------|-------------|------------------|
| ITEM                      | LENGTH (mm) | PACKING          |
| S216965                   | 150±5       | SYNERGY 21 Bag A |
| S216966                   | 250±10      | SYNERGY 21 Bag A |
| S216967                   | 500±15      | SYNERGY 21 Bag A |
| S216968                   | 1000±30     | SYNERGY 21 Bag A |
| S216969                   | 1500±30     | SYNERGY 21 Bag A |
| S216970                   | 2000±30     | SYNERGY 21 Bag A |
| S216971                   | 3000±50     | SYNERGY 21 Bag A |
| S216972                   | 5000±200    | SYNERGY 21 Bag B |
| S216973                   | 7500±200    | SYNERGY 21 Bag B |
| S216974                   | 10000±200   | SYNERGY 21 Bag B |
| S216975                   | 15000±300   | SYNERGY 21 Bag C |

| COLOR:ORANGE PANTONE 1575C |             |                  |
|----------------------------|-------------|------------------|
| ITEM                       | LENGTH (mm) | PACKING          |
| S216976                    | 150±5       | SYNERGY 21 Bag A |
| S216977                    | 250±10      | SYNERGY 21 Bag A |
| S216978                    | 500±15      | SYNERGY 21 Bag A |
| S216979                    | 1000±30     | SYNERGY 21 Bag A |
| S216980                    | 1500±30     | SYNERGY 21 Bag A |
| S216981                    | 2000±30     | SYNERGY 21 Bag A |
| S216982                    | 3000±50     | SYNERGY 21 Bag A |
| S216983                    | 5000±200    | SYNERGY 21 Bag B |
| S216984                    | 7500±200    | SYNERGY 21 Bag B |
| S216985                    | 10000±200   | SYNERGY 21 Bag B |
| S216986                    | 15000±300   | SYNERGY 21 Bag C |

| COLOR:MAGENTA PANTONE 212C |             |                  |
|----------------------------|-------------|------------------|
| ITEM                       | LENGTH (mm) | PACKING          |
| S216987                    | 150±5       | SYNERGY 21 Bag A |
| S216988                    | 250±10      | SYNERGY 21 Bag A |
| S216989                    | 500±15      | SYNERGY 21 Bag A |
| S216990                    | 1000±30     | SYNERGY 21 Bag A |
| S216991                    | 1500±30     | SYNERGY 21 Bag A |
| S216992                    | 2000±30     | SYNERGY 21 Bag A |
| S216993                    | 3000±50     | SYNERGY 21 Bag A |
| S216994                    | 5000±200    | SYNERGY 21 Bag B |
| S216995                    | 7500±200    | SYNERGY 21 Bag B |
| S216996                    | 10000±200   | SYNERGY 21 Bag B |
| S216997                    | 15000±300   | SYNERGY 21 Bag C |

|                   |     |                               |     |            |      |              |                                  |                      |                       |
|-------------------|-----|-------------------------------|-----|------------|------|--------------|----------------------------------|----------------------|-----------------------|
| <b>SYNERGY 21</b> |     |                               |     |            |      |              |                                  |                      |                       |
|                   |     |                               |     |            |      |              |                                  |                      |                       |
|                   |     |                               |     |            |      | CUSTOMER NO. |                                  | ITEM NO.             | SEE THE CHART         |
|                   |     |                               |     |            |      | PRODUCT NAME | CAT. 6 S/FTP PATCH CORD TPE LSZH | manufacture country: | CHINA UNIT MM         |
|                   |     |                               | NEW | 2015-01-20 | A    | DRAWNBY      | CHECKBY                          | APPOBY               | DATE                  |
| BY                | CHK | REVISION RECORD MODIFICATIONS |     |            | DATE | REV.         | SYNERGY 21                       | SYNERGY 21           | SYNERGY 21 2015-01-20 |