

# Weatherproof VoIP-Telephone ResistTel IP2

IP telephone for indoor and outdoor use



## Overview

With approved technology of FHF, the ResistTel IP2 is suitable for outdoor installations.

The new ResistTel IP2 is the ideal device for every weather and a number of different operation sites – no matter if exposed to seawater, high humidity or extensive mechanical strain.

The housing is made of impact and shock-resistant GRP and even resistant to acids, alkali and lubricants.

Its robust design represents a perfect „packaging“ for the latest requirements for VoIP telephones combined with proven reliability for critical mission communications and high safety applications.

The ResistTel IP2 is designed to provide ultimate user comfort on the basis of industrial standards and decades of market leading expertise and know-how. It features a display with integrated heating for ultra low temperature environments.

## Features

- Ingress protection IP 66 according to IEC60529
- Ambient temperature -40 °C to +70 °C (heated display)
- Ring tone  $\geq 95$  dB(A) in 1 m distance
- Pixel-based illuminated LCD display
- Stainless steel alphanumeric keypad
- Web-based monitoring (operating, handset, hands-free, ringing)
- User-friendly menu structure
- Standard protocols H.323, SIP, TSIP, SIPS
- Power supply: PoE or external
- Connection to 10/100-BASE-T Ethernet
- Hands-free operation

# EATON

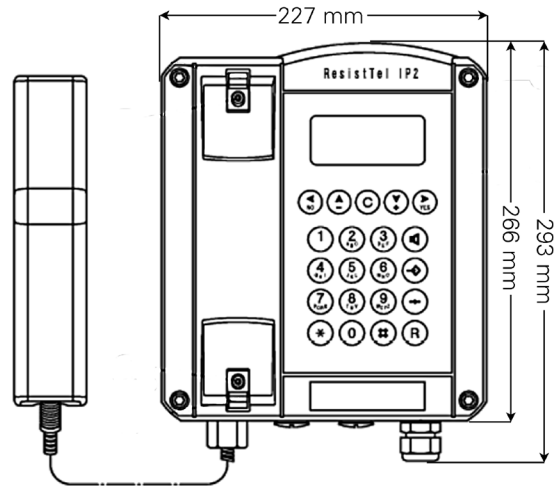
Powering Business Worldwide



## General arrangement drawing (all dimensions in mm)

### Specifications

Power supply	Power over Ethernet according to IEEE 802.3af via external 48 V DC PoE power supply (44 V min., 57 V max.)
Voltage external power supply without optional galvanically separated inputs	15 V-57 VDC
Voltage external power supply with optional galvanically separated inputs	21.5 V-57 VDC
Power consumption	13 W
Connection	RJ45 Port (10/100 Mbit/s)
Ringing volume	Max. approx. 95 dB(A) in 1 m distance
Housing Material	Glass fibre-reinforced polyester
Height x width x depth	Approx. 293 mm x 227 mm x 135 mm
Weight	Approx. 5 kg
Display	182 x 64 pixels
Operating position	Vertical wall mounting
Ringing volume	Approx. 95 dB(A) in 1 m distance
Relay (optional) switching capacity	240 VAC 6 A 24 VDC 6 A 32 VDC 5 A 48 VDC 1 A
Receiver Stabilization bracket	Standard equipment
Earpiece	Dynamic capsule with magnetic field generator
Mouthpiece	Electret microphone
Environmental conditions Ingress protection	IP 66 according to EN60529
Impact protection	IK 09 according to EN50102
Operating temperature	-40 °C to +70 °C
Transport and storage	-40 °C to +70 °C



### Technical features

Protocols	H.323, SIP, TSIP, SIPS
General	H.323 Version 4 including H. 225, H.235, H.245 and RAS Gatekeeper routed Signalling, H.450, Session Initiation Protocol (SIP) RTP, SRTP Real Time Protocol – for voice data transmission
RTCP	Real Time Control Protocol – first level of „Quality of Service“
RAS protocol	Support for external gatekeeper
DTMF	H.245 „Alphanumeric“ or „Signal Type“
Additional VoIP features	H.245 fast connect Enblock dialing overlapped sending
Security	Encoded password authentication according to H.235
Quality of Service	Prioritization of IP packages over TOS and DiffServ, VLAN priority according to IEEE 802.1p/802.1q
Voice codecs	G.711 A-law/μ-law (64 kbps), G.729A (16 kbps)
Echo compensation	G.168
Access	Via HTML Web Browser, Password-protected with secure authentication
Troubleshooting	Log and trace files, status displays of interfaces a connections of interfaces and connections Ping connection test for internet protocol, sending of SNMP traps
Updates	Configuration recording/reading, Boot code and firmware update via HTML upload Automatic update via update server
DSL access	PPPoE protocol
VPN	Tunneling with PPTP encoding via MPPE
NAT	Network Address Translation – for translation of official IP addresses into non-official addresses and vice versa
DHCP	Dynamic Host Configuration Protocol – IP interfaces settings
ICMP	Internet control Message Protocol – for Ping Tests
Call Tone Generation	Automatic call tone generation according to European and US standard
Call Transfer	Call Transfer, in all usual variants: with/without consultation call, before/after answer etc.
Call Diversion	Call diversion/redirection
Hold	Call hold/retrieve
Call Waiting	Call Waiting, with respective indication to calling subscriber
Message	Message display on telephone
Pickup	Display indicating that a call can be picked up
Pickup List	Display listing the calls which can be picked up
Name Display	To determine the displayed name
Callback	Call Completion, with all common variants such as call back when busy and call back when free
Three-party Conference	Conference with 3 subscribers, also external subscribers
Caller ID	For separate indication of call numbers or groups
Multiple registration	Up to 6 registrations
Telephone book	Automatic availability of all registrations in central telephone book, Integration of external data bases via LDAP
Time	Exact time information via time server access

## Accessories



Headset



TWIN



Protection hood

## Ordering data

\* The full article number for the TWIN is made up by appending the colour code to the article numbers given below.

Type	Designation	Model	Article number
ResistTel IP2	VoIP Telephone	black	FHF 112 643 80
ResistTel IP2	VoIP Telephone	black, with 2 <sup>nd</sup> LAN connection	FHF 112 643 81
ResistTel IP2	VoIP Telephone	black, with relay contact	FHF 112 643 82
ResistTel IP2	VoIP Telephone	black, with 2 <sup>nd</sup> LAN connection and relay contact	FHF 112 643 83
ResistTel IP2	VoIP Telephone	red	FHF 112 643 80 02
ResistTel IP2	VoIP Telephone	red, with 2 <sup>nd</sup> LAN connection	FHF 112 643 81 02
ResistTel IP2	VoIP Telephone	red, with relay contact	FHF 112 643 82 02
ResistTel IP2	VoIP Telephone	red, with 2 <sup>nd</sup> LAN connection and relay contact	FHF 112 643 83 02

transparent	01
red	02
amber	03
green	04
blue	05

## Accessories

	Headset		FHF 112 643 04
	TWIN	only for variants with relay contact	FHF 118 832 ..*
	Telephone Hood Model 404	galvanized steel, yellow	FHF 118 901 01
	Telephone Hood Model 404	stainless steel	FHF 118 901 11
	Telephone Hood Model 404	synthetic material, orange	FHF 118 901 12
	Telephone Hood Model 404	synthetic material, yellow	FHF 118 901 13
	Telephone Hood Model 404	galvanized steel, red	FHF 118 901 14
	Telephone Hood Model 404	synthetic material, red	FHF 118 901 15
	Telephone Hood Model 404	GRP, yellow	FHF 118 901 22
	Telephone Hood Model 404	GRP, orange	FHF 118 901 23
	Floor mounting console for Model 404	yellow	FHF 118 901 03

Accessories are not available as DNV variants.