



Network

Dome

# XNV-A6084R

2MP AI IR Vandal Dome Camera



## Key Features

- 2MP Image Resolution
- 2.8~12mm Focal Length
- 50m IR Length
- IP66, IP67, IK10 Rated
- Dual NPU for AI-based Image Enhancement
- AI-based Analytics and Business Intelligence

# XNV-A6084R

2MP AI IR Vandal Dome Camera



## Specifications

### Video

Imaging Device	Size	1/2.8"
	Type	CMOS
Resolution	1920x1080, 1280x960, 1280x720, 1024x768, 800x600, 640x480, 640x360, 320x240, 320x180	
Max. Framerate	H.265/H.264	60fps/50fps(60Hz/50Hz)
	MJPEG	30fps
Min. Illumination (Lux)	Color(1/30sec, 30IRE)	0.02
	BW(1/30sec, 30IRE)	0.002
Video Out	USB: USB Type C. Preview and installation ONLY. Requires WiFi dongle.	

### Lens

Focal Length (mm)	2.8~12	
Zoom Ratio	Optical	4.3x
Max Aperture Ratio (F number)	Wide	1.4
	Tele	3.6
Angular Field of View	Horizontal	120°~27°
	Vertical	63°~15°
	Diagonal	143°~32°
Min. Object Distance	0.5m(1.64ft)	
Focus Control	Simple focus, Manual	
Lens Type	P iris(IR corrected)	

### Pan / Tilt / Rotate

Pan / Tilt / Rotate Range	Pan	0°~360°
	Tilt	0°~75°
	Rotate	0°~355°

### Operational

Day & Night	Auto(ICR)
Backlight Compensation	BLC, HLC, WDR, SDR

## Operational

<b>Wide Dynamic Range (dB)</b>		150
<b>Digital Noise Reduction</b>		WiseNR II (Based on AI engine), SSNR V
<b>Digital Image Stabilization</b>		Support
<b>Defog</b>		Support
<b>Motion Detection</b>	Quantity	8ea
	Shape	8point Polygonal zones
<b>Privacy Masking</b>	Quantity	32ea
	Shape	8point Polygonal zones
	Color / Option	Gray, Green, Red, Blue, Black, White, Mosaic, Purple, Yellow
	Dynamic Privacy Masking: Color / Option	Gray, Green, Red, Blue, Black, White, Mosaic, Purple, Yellow
<b>Gain Control</b>		Off, Max gain, Manual
<b>White Balance</b>		ATW, NarrowATW, AWC, Manual, Indoor, Outdoor
<b>LDC</b>		Support(Fill/stretch mode)
<b>Electronic Shutter</b>	Mode	Minimum, Maximum, Anti flicker, Prefer shutter control(Based on AI engine)
	Speed Range	2~1/40,000sec
<b>Video Rotation</b>		Flip, Mirror, Hallway view(90°/270°)
<b>Alarm Interface</b>	In/Out	2 configurable I/O ports
	Others	Support extra alarm I/O via optional I/O box
<b>Alarm Triggers</b>		Analytics, Network disconnect, Alarm input, Time schedule, MQTT subscription, Day/Night, Storage disruption
<b>Alarm Events When Alarm Trigger Occurred</b>		File upload(image): e-mail/FTP/SFTP, File upload(video clip): FTP/SFTP, Notification: e-mail, Recording: SD/SDHC/SDXC or NAS recording at event triggers,Alarm output, Handover: PTZ preset,send message by HTTP/HTTPS/TCP,Audio clip playback, MQTT: publication
<b>Audio In</b>		Selectable(mic in/line in)
<b>Audio Out</b>		Line out
<b>Light Type</b>		IR LED
<b>Light Viewable Length</b>	IR	WiseIR 50m(164.04ft)
<b>IR Wavelength</b>		850nm

## Analytics

<b>Classified Object Type</b>		Person, Face, Vehicle, License plate
<b>Attributes</b>	Person	Upper/Lower clothes color, Gender, Bag
	Vehicle	Type(car, bus, truck, motorcycle, bicycle), Color
	Face	Age, Gender, Face mask, Glasses
<b>Thumbnail</b>		BestShot

## Analytics

Analytics Events	Based on AI Engine	Object detection, Virtual line(Crossing/Direction), Motion detection, Face mask detection, Social distancing detection, Slip & fall detection, Virtual area(Loitering/Intrusion/Enter/Exit/Appear/Disappear)
	Normal	Defocus detection, Tampering, Audio detection, Shock detection
Business Intelligence	Based on AI Engine	People counting, Queue management, Heatmap, Vehicle counting, Crowd counting

## Network

Ethernet	Metal shielded RJ-45(10/100BASE-T)	
Video Compression	H.265/H.264: Main/Baseline/High, MJPEG	
Audio Compression	G.711(PCM): 8kHz(64kbps), G.726(ADPCM): 8kHz(16/24/32/40kbps), AAC-LC: 16kHz(48kbps), OPUS: 16kHz(64kbps)	
Smart Codec	WiseStream(Based on AI engine)	
Bitrate Control	H.265/H.264: CBR or VBR, MJPEG: VBR	
Streaming	Unicast	Up to 20 users
	Multicast	Support
	Multiple Streaming	Up to 5 profiles, 3 virtual channel support
Protocol	IPv4, IPv6, TCP/IP, UDP/IP, RTP(UDP), RTP(TCP), RTCP, RTSP, NTP, HTTP, HTTPS, SSL/TLS, DHCP, FTP, SFTP, ICMP, IGMP, SNMPv1/v2c/v3(MIB-2), ARP, DNS, DDNS, QoS, UPnP, Bonjour, LLDP, CDP, SRTP(TCP, UDP Unicast), MQTT, SMTP(StartTLS), Syslog	
Application Programming Interface	ONVIF	S, G, T, M
	Others	SUNAPI(HTTP API), Hanwha Vision Open Platform
Direct Cloud Connection	Support	

## Security

OS / Firmware Protect	Encrypted firmware, Secure boot, Signed firmware	
User authentication	Digest authentication, Prevent brute-force attack	
Network authentication	IEEE 802.1X(EAP-TLS, EAP-LEAP, EAP-PEAP, MSCHAPv2)	
Secure Communication	HTTPS, WSS(WebSocket Secure), SRTP	
Access Control	IP-based access control, MAC-based access control, Auto logout	
Data Protect	Encryption credentials, Encrypt compress for live recording file export	
Audit	Access / System / Event Log management	
Device ID	Device certificate(Hanwha Vision Root CA)	
Secure Storage	SDcard partition encrypt(AES-256), Secure element	
Supply Chain Security	SBOM	
Security Certificate	Secure element(FIPS 140-3 level3, CC EAL6+), Consumer IoT Security Standard (ETSI EN 303 645), Security Built-in Process Certification (IEC 62443-4-1)	

## General

SoC	Type	Wisenet 9
	Dual NPU	Support
Memory	RAM	4GB
	Flash	8GB eMMC
Edge Storage	Micro SD/SDHC/SDXC	Max. 1TB x 1slot
Edge Storage(OnCloud)	Micro SD/SDHC/SDXC	Max. 1TB x 1slot *Hanwha Vision branded microSD cards have been certified and recommended for OnCloud edge recording.

## Environmental & Electrical

Operating Condition	Temperature	-40°C~+55°C(-40°F~+131°F)
	Humidity	0~100% RH(condensing)
	Others	+74°C(+165°F)(Max) based on NEMA-TS 2(2.2.7), Start up should be done at above -30°C, Humidity control with AIR vent
Storage Condition	Temperature	-50°C~+60°C(-58°F~+140°F)
	Humidity	0~90% RH(non-condensing)
EPA(Effective Projected Area)		0.02m <sup>2</sup>
Input Voltage		PoE(IEEE802.3af, Class3)
Power Consumption	PoE	PoE: Max. 10.2W, typical 5.0W
WisePower		Power monitoring, Eco mode

## Mechanical

Color		White
Material		Aluminum, Hard-coated dome
Material Management	Declaration	RoHS(EU RoHS directive 2011/65/EU and IEC/EN 63000:2018), REACH(Regulation (EC) No. 1907/2006), Conflict mineral policy(Section 1502 of US Dodd Frank Act)
	Recycle Rate	Recycled plastic: 4.52%
RAL Code		RAL9003
Product Dimensions		ø160x118mm(6.30x4.65")
Product Weight		1,243g(2.74lb)
Compatible Conduit Hole		12.7mm(1/2")(M20)
Compatible Gang Box		Single, Double, 4" Octagon, Square

## Certifications & Standards

EMC	FCC 47 CFR 15 Subpart B Class A, ICES-3(A)/NMB-3(A), CE/UKCA - EN55032 Class A, EN 50130-4, EN 61000-3-2, EN 61000-3-3, VCCI CISPR 32 Class A, RCM AS-NZS CISPR 32 Class A, KS C 9832 Class A, KS C 9835
Safety	UL 62368-1, CAN/CSA C22.2 NO. 62368-1, IEC 62471
Environment	IEC/EN 63000, IEC 60529 IP66, IEC 60529 IP67, IEC 62262 IK10, NEMA TS 2-2013 (2.2.7, 2.2.8, 2.2.9), NEMA 250 type 4X, IEC 60068-2-1, IEC 60068-2-2, IEC 60068-2-6, IEC 60068-2-14, IEC 60068-2-27, IEC 60068-2-78

**DORI (EN62676-4 standard)**

<b>Detect (25PPM/ 8PPF)</b>	Wide	30.0m(98.43ft)
	Tele	138.5m(454.28ft)
<b>Observe (63PPM/ 19PPF)</b>	Wide	12.0m(39.37ft)
	Tele	55.4m(181.71ft)
<b>Recognize (125PPM/ 38PPF)</b>	Wide	6.0m(19.69ft)
	Tele	27.7m(90.86ft)
<b>Identify (250PPM/ 76PPF)</b>	Wide	3.0m(9.84ft)
	Tele	13.8m(45.43ft)

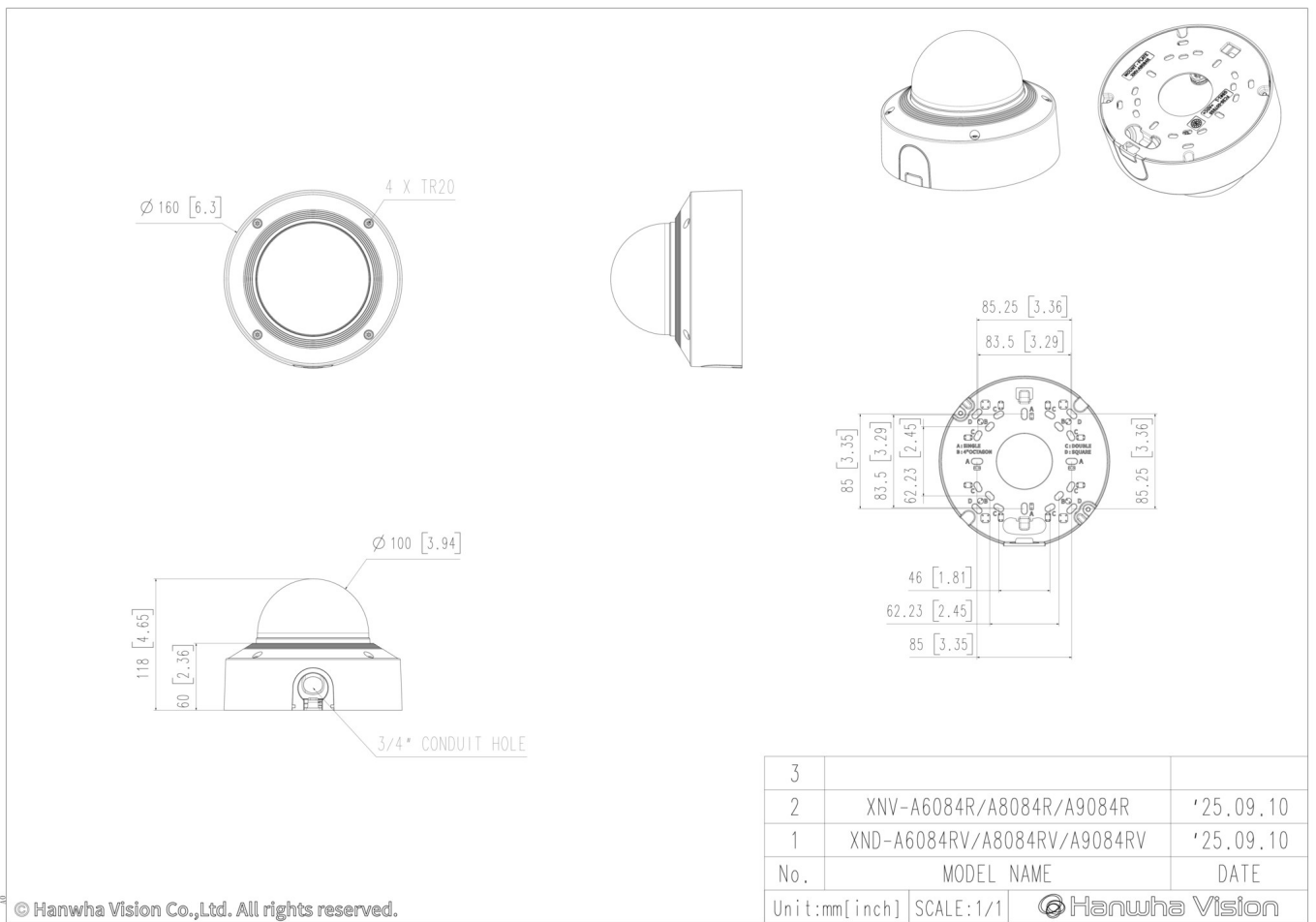
# XNV-A6084R

2MP AI IR Vandal Dome Camera



**CAD**

Unit: mm [inch]



© Hanwha Vision Co.,Ltd. All rights reserved.