

SBV-180WW

Back Box



Key Features

- Color : White
- Material : Aluminum
- Weight : 1,183g (2.61lb)
- Operation Temperature : -50°C ~ +60°C (-58°F ~ +140°F)
- Operation Humidity : Less than 100% RH
- Certification : IP66, IK10, NEMA4X

SBV-180WW

Back Box



Specifications

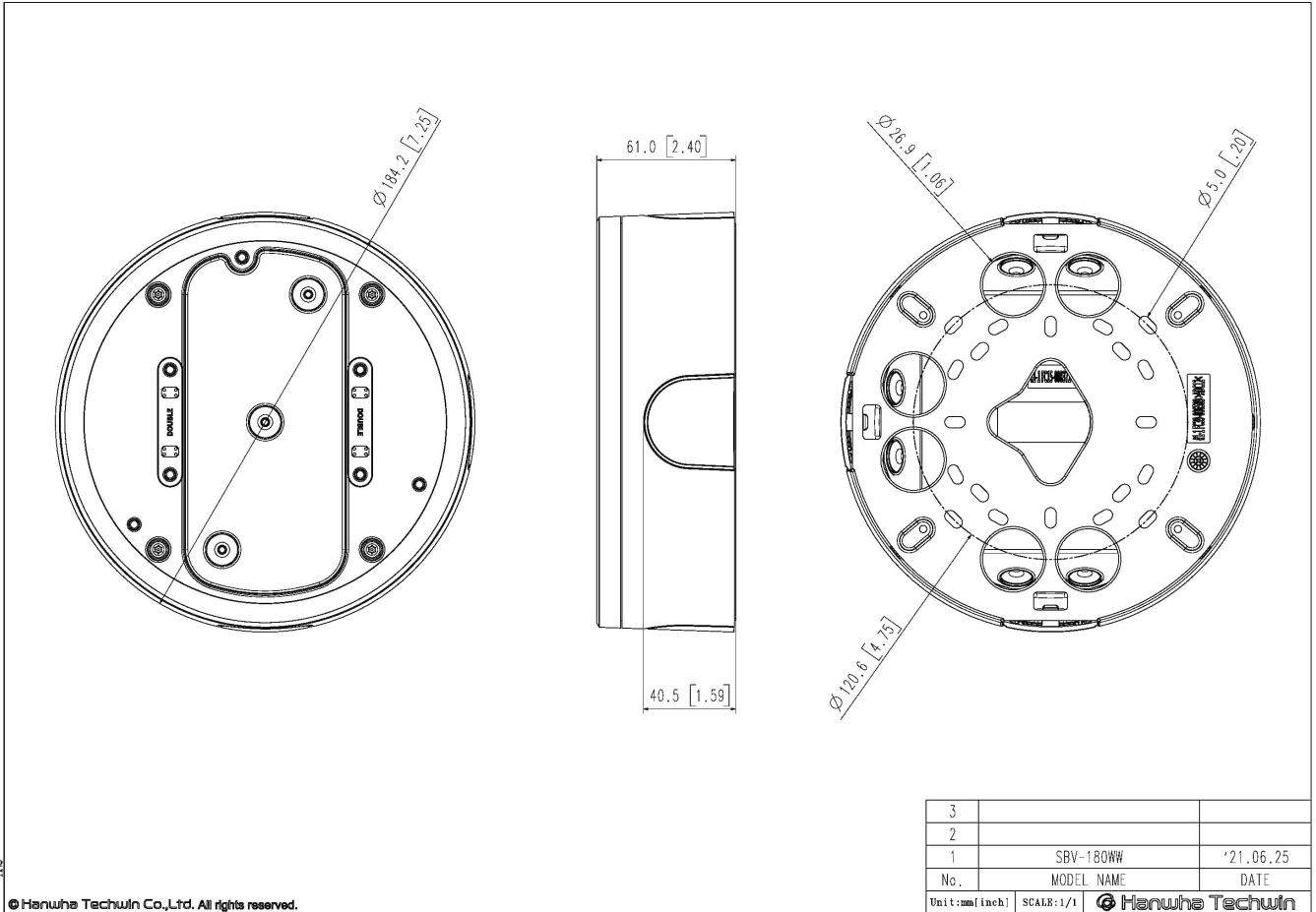
SBV-180WW

Back Box



CAD

Unit:mm [inch]



A2

© Hanwha Techwin Co.,Ltd. All rights reserved.