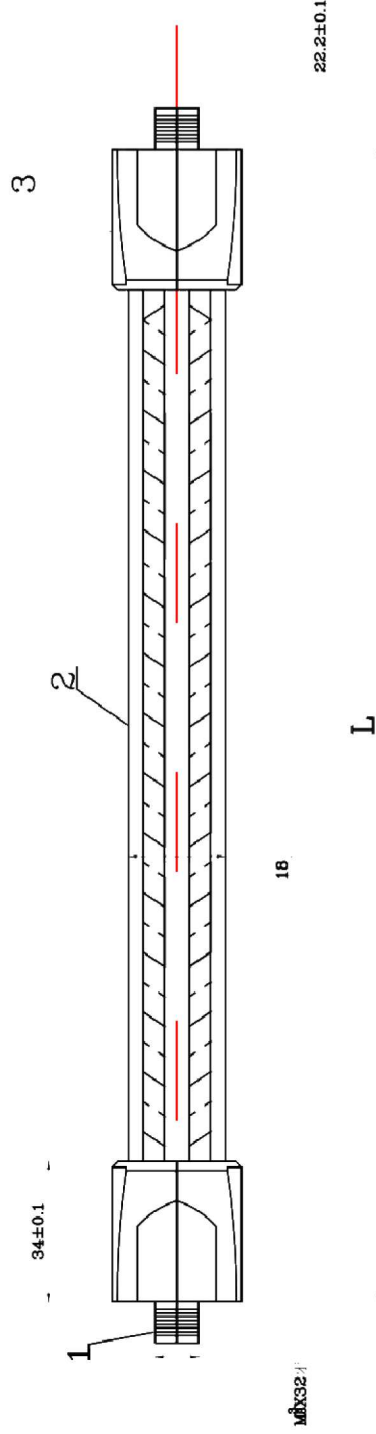


REVISED	DR	APP



F - JACK

F - JACK

INCL. ADHESIVE PAD



1	CONNECTORS	F - JACK: ZINC ALLOY, NICKEL PLATED, RoHS
2	MOLDING	ABS, WHITE, RoHS
3	CABLE	CHOPPER, OD: 18x0.25mm, RoHS
NO	PART NAME	

DESCRIPTION		SAT WINDOW ADAPTER SLIM WHITE			
SIZE	A4	DATE	13.01.2016	CHECKED	TOL
UNIT	MM	DRAWN	R.Hueller	APPROVED	86377
CUSTOM TARIF NO.: 854442909000					