

Chart:

ITEM NO	COLOUR
S216330V2	pure white, RAL9010

### Materials:

Outlet Housing: ABS UL-94V2/Colour:see the chart

Outlet Base: ABS UL-94V2/Colour:see the chart

Metalic Plate:Al&Zn Alloy /Al&Zn Alloy,

ACCESSORY :

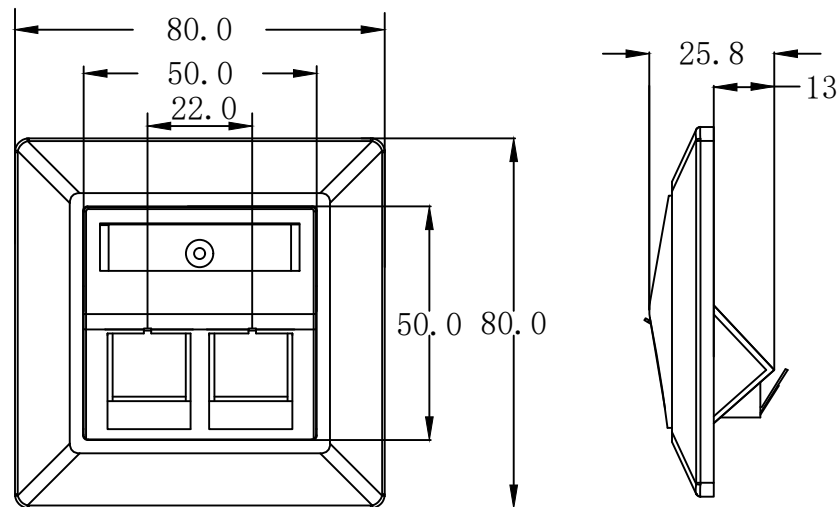
1. Label
2. Plastic gasket
3. Screw:M3. 5\*9\*2Pcs

RoHS 3.0&REACH Compliant

Storage Temperature: -40°C--+70°C

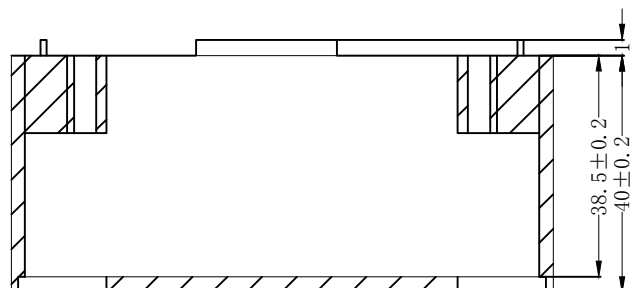
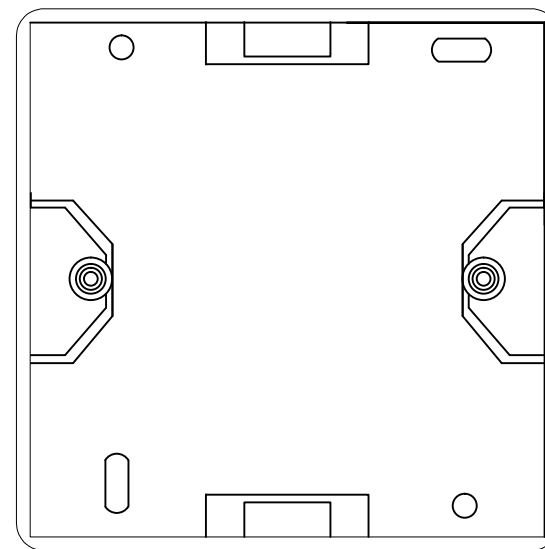
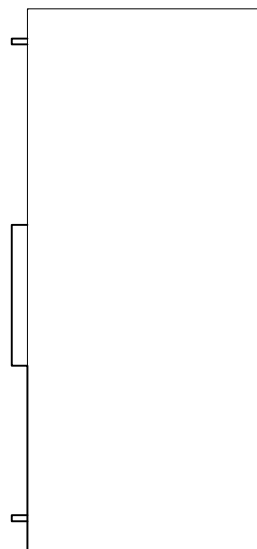
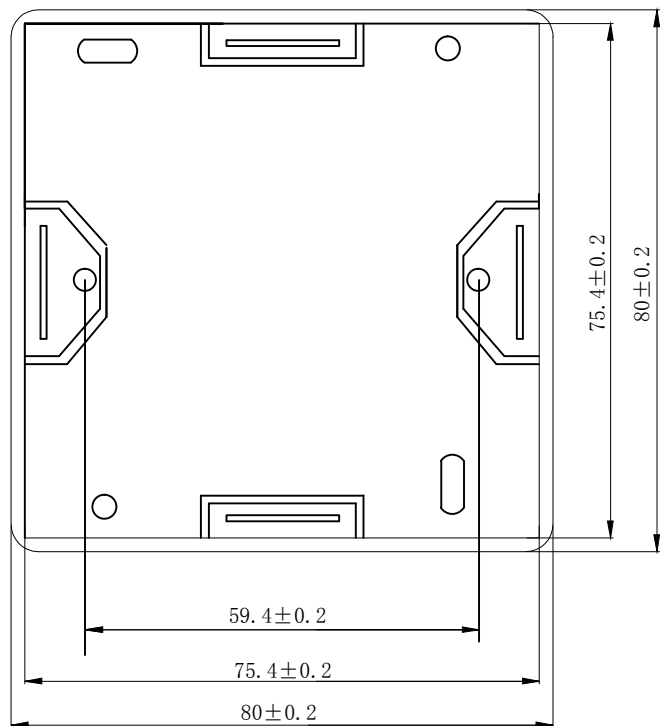
Operation Temperature:-10°C--+60°C

Packing:PE bag+label



### SYNERGY 21

SYNERGY 21									
		CUSTOMER			ITEM NO.		see the chart		
		PRODUCT NAME	FRAME SET 2PORT	manufacture country	China		UNIT	MM	
		NEW	2022-08-04	A	DRAWNBY	CHECKBY	APPOBY	DATE	
BY	CHK	REVISION RECORD MODIFICATIONS		DATE	REV.	SYNERGY 21	SYNERGY 21	SYNERGY 21	2022-08-04



ITEM NO.	COLOUR
S216328	Pure White RAL9010
S216329	Pearl White RAL1013

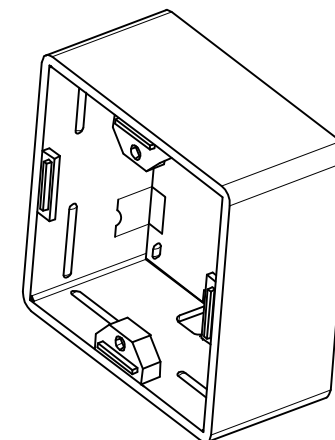
**NOTE:**

MATERIAL: ABS

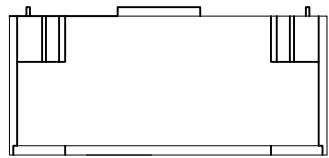
SIZE: 80MM\*80MM\*40MM

RoHS2.0 AND REACH COMPLIANT

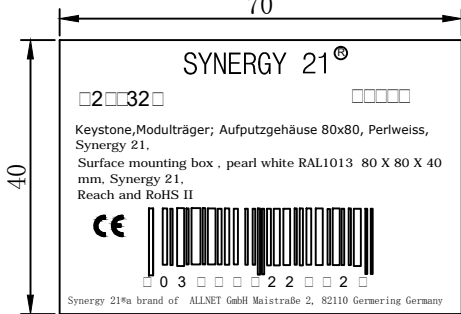
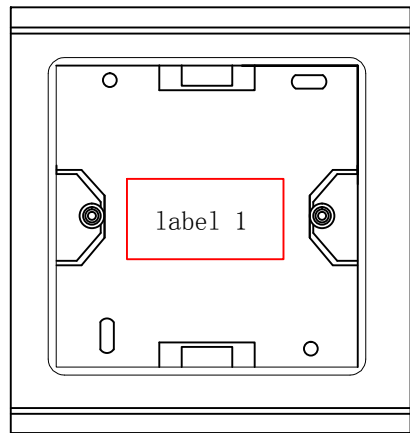
ACCESSORY: SCREW M3\*14 2PCS



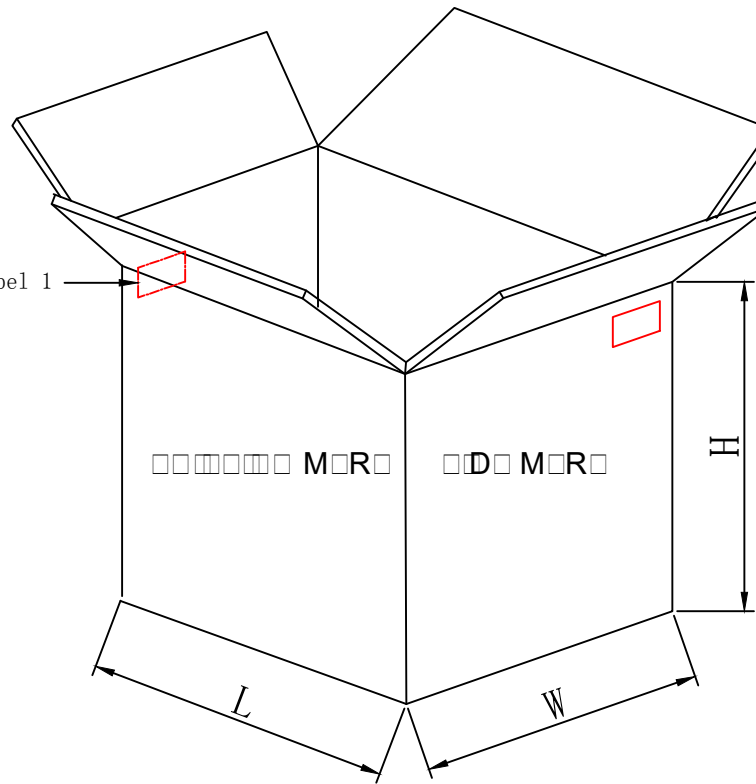
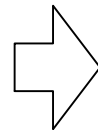
		UPDATE PACKING TYPE			2018-03-20	A3	SYNERGY 21					
		UPDATE PRODUCT			2014-09-24	A2	CUSTOMER		ITEM NO.	see the chart		
		UPDATE ROHS COMPLIANT			2013-07-10	A1	PRODUCT NAME	mounting box	manufacture country:	CHINA	UNIT	MM
		NEW			2011-07-11	A	DRAWNBY	CHECKBY	APPOBY	DATE		
BY	CHK	REVISION RECORD MODIFICATIONS			DATE	REV.	SYNERGY 21	SYNERGY 21	SYNERGY 21	2018-03-20		



mounting box+pe bag



pe bag label



Label 1

□□□□□□ M□R□ □□D□ M□R□

96PCS/CTN+LABEL 1

SHIPPING MARK



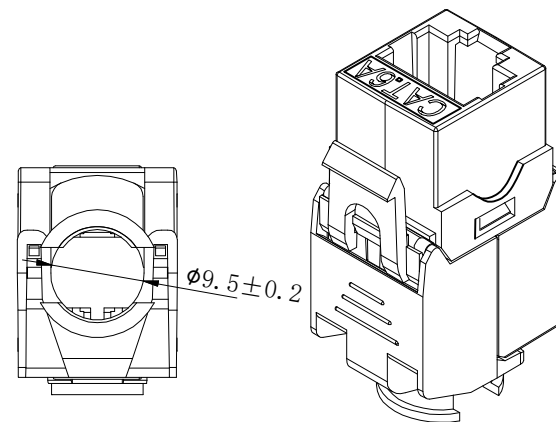
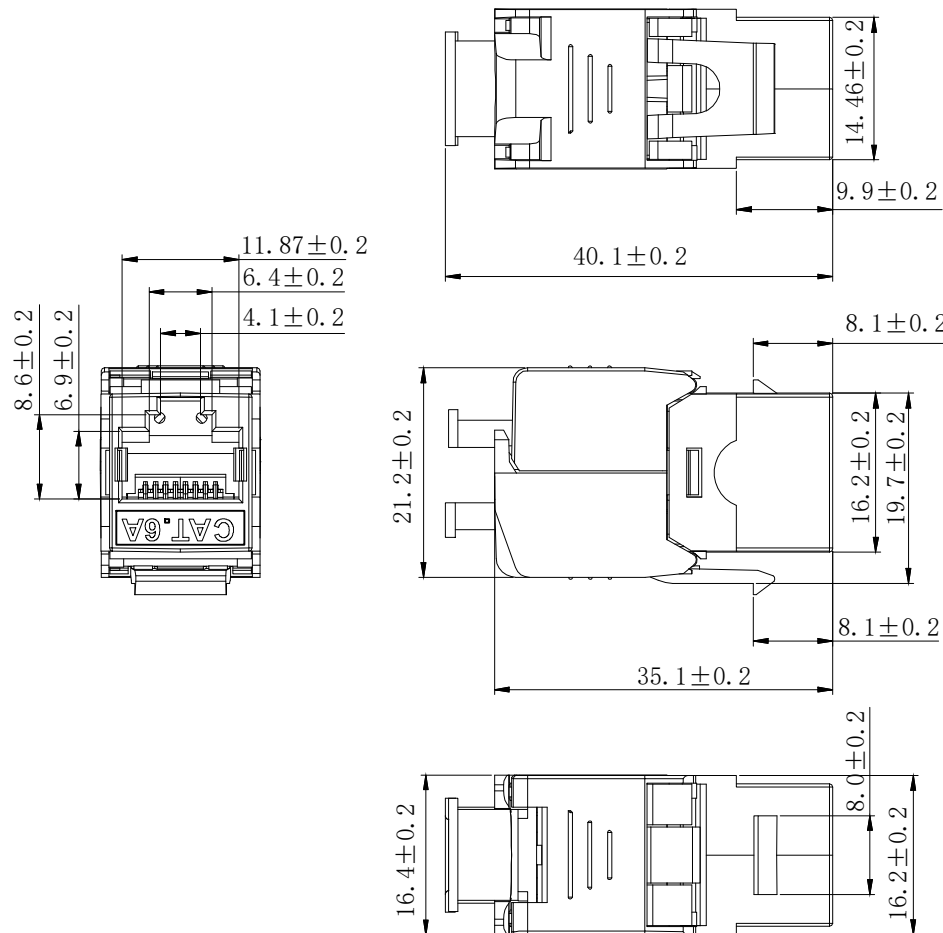
PO NO. :  
 REACH and ROHS 2.0 Compliant  
 MADE IN CHINA

SIDE MARK

PO NO. :  
 Item no:  
 Q' TY:  
 N. W  
 G. W  
 Carton no.  
 MEAS.

1. Packing: 1PCS/PE Bag A+Label 1, 96PCS/CTN+LABEL 1
2. “工” type sealing
3. “井” type packaging

SYNERGY 21												
					CUSTOMER				ITEM NO.	see the chart		
UPDATE PACKING TYPE					2018-03-20	A3	PRODUCT NAME	PACKING	manufacture country:	CHINA	UNIT	MM
NEW							DRAWNBY	CHECKBY	APPOBY	DATE		
BY	CHK	REVISION RECORD MODIFICATIONS			DATE	REV.	SYNERGY 21	SYNERGY 21	SYNERGY 21	2018-03-20		



- NOTES:
- ELECTRICAL:
- Contact Resistance : 20MΩ MAX
  - Insulation Resistance : 500MΩ MIN @ 500V DC
  - Withstand Voltage : DC 1000V AC 700V RMS 60Hz, 1MIN
  - Compliance with Class EA up to 500 MHz to ISO/IEC 11801 Ed. 2.2:2011-06  
DIN EN 50173-1:2011-09  
TIA/EIA-568.2-D (2009-08)  
IEC 60603-7 Ed.1 (12/2008)
- ENVIRONMENTAL:
- Storage temperature : -40°C to +70°C
  - Operation temperature : -10°C to +60°C

- MECHANICAL
- SHIELD MATERIAL: ZINC ALLOY
  - IDC MATERIAL: PC TERMINAL:PHOSPHOR BRONZE, TIN PLATING
  - RJ45 Contact Life: 750 Times Min
  - Plug inforce:<30N
  - Solid cable:1/22AWG (0.65MM)-1/26AWG (0.40MM) ID:1.05MM-1.5MM
  - Cable OD: 5.0mm-8.5mm
  - PoE per IEEE 802.3af, PoE/per IEEE 802.3at, PoE/per IEEE 802.3bt PoE++
  - 360° Shield connection
  - Fluke Test: Permanent link ISO11801 (PL2) Class Ea
  - RoHS 3.0 and REACH Compliant
- Accessories:
- Instruction Sheet \*lpc/inner box  
Cable Tie (75X1.9mm) \*1Pc  
Packing:lpc/PE bag+label

MATERIAL LIST:

⑦	MODULAR COVER	PC with T568A/B label	1	
⑥	RJ 45 JACK INSERT	8P8C PHOSPHOR BRONZE GOLD PLATED	8	
⑤	PCB	FR-4 1.6mm UL 94V0	1	
④	IDC BODY	PC White	1	
③	IDC PIN	PHOSPHOR BRONZE & TINNED	8	
②	LABEL COLOR CODE	T568A/B	2	
①	IDC TERMINAL	FOR 22-26AWG CABLE	1	

NO.	PARTS NAME	SPECIFICATION STANDARD	QT' Y	REMARK
		NEW	2023-03-30	A
BY	CHK	REVISION RECORD MODIFICATIONS	DATE	REV.

SYNERGY21					
CUSTOMER	AN		ITEM NO.	S216318V3	
PRODUCT NAME	CAT. 6A/ClassEA STP KEYSTONE JACK W:16.3MM	manufacture country:	CHINA	UNIT	MM
DRAWNBY	CHECKBY	APPOBY	DATE		
SYNERGY21	SYNERGY21	SYNERGY21	2023-03-30		