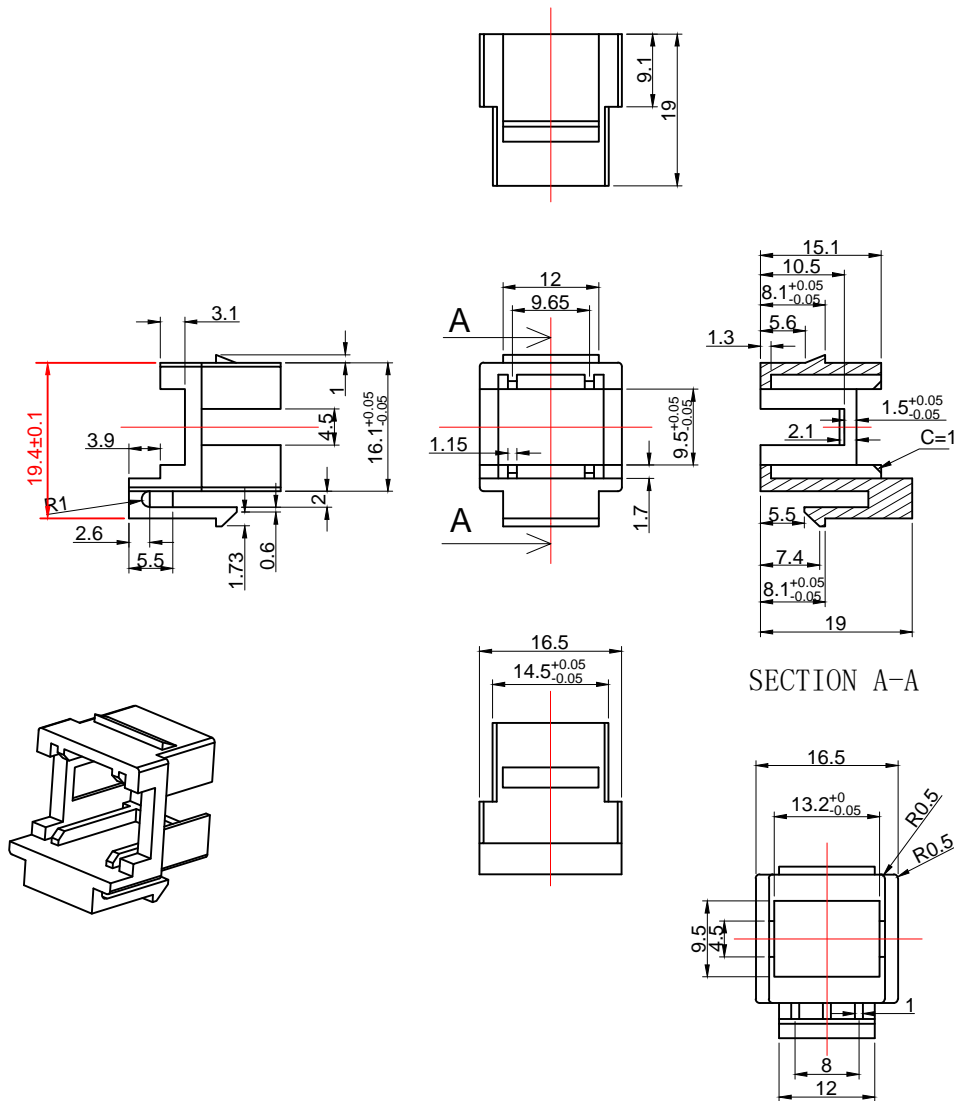


③	Screw	M5	2PCS	
②	keystone Jack holder	Material:stainless steel	1PCS	
①	DIN Rail	Material:stainless steel	2PCS	
NO.	PARTS NAME	SPECIFICATION STANDARD	QT' Y	REMARK
		NEW	2017. 04. 28	A
BY	CHK	REVISION RECORD MODIFICATIONS	DATE	REV.

<b>SYNERGY 21</b>					
CUSTOMER		ITEM NO.	S215487		
PRODUCT NAME	2port RJ45 keystone Jack holder for DIN Rail Metal	manufacture country:	CHINA	UNIT	MM
DRAWNBY	CHECKBY	APPOBY	DATE		
SYNERGY 21	SYNERGY 21	SYNERGY 21	2017. 04. 28		



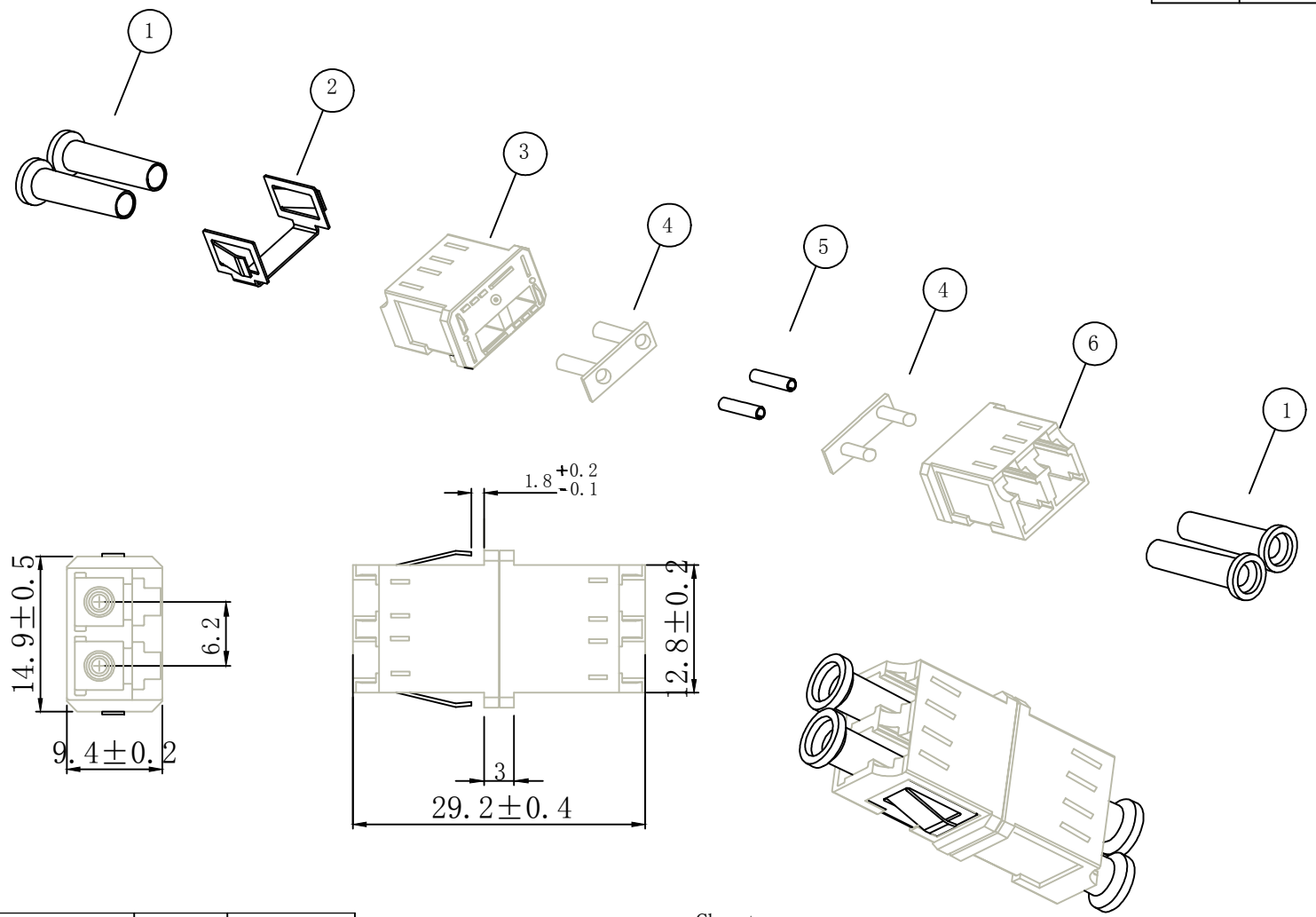
SECTION A-A

NOTES:

1. ABS Black
2. Keystone for LC duplex/SC simplex no flange Adapte
2. Packing: 1pc/PE Bag+Lable
3. ROHS2.0 AND REACH COMPLIANT

SYNERGY 21					
CUSTOMER		ITEM NO.	S215479		
PRODUCT NAME	Keystone adapter	manufacture country:	CHINA	UNIT	MM
DRAWNBY	CHECKBY	APPOBY	DATE		
SYNERGY 21	SYNERGY 21	SYNERGY 21	2017-05-03		

BY	CHK	REVISION RECORD MODIFICATIONS	DATE	REV.
		NEW	2017-05-03	A



NOTE:  
RoHS 2.0 & Reach COMPLIANT

Insertion Loss(dB)	≤0.20
Operating Temperature( ° C)	-40 ~+80
Storage Temperature(° C)	-40 ~+85

**MATERIAL LIST:**

⑥	LC beige Plastic body (SC simplex footprint)	1pcs	
⑤	LC Sleeve <b>ceramic</b> (Multi-Mode)	1pcs	
④	Beige bush	2pcs	
③	LC beige Plastic body (SC simplex footprint)	1pcs	
②	LC Metal Mount	1pcs	
①	LC White Dust Cap	4pcs	
NO.	SPECIFICATION STANDARD	QT' Y	REMARK

Chart:

NO.	ITEM NO.	EAN Nummer
1	S215480	4038816064547

<b>SYNERGY 21</b>									
CUSTOMER						ITEM NO.		See the chart	
PRODUCT NAME		LC MM beige(ceramic)Duplex Plastic Adapter (SC SX Footprint) w/o flange		manufacture country		CHINA	UNIT	MM	
BY	CHK	NEW		2017-4-25	A	DRAWNBY	CHECKBY	APPOBY	DATE
		REVISION RECORD MODIFICATIONS		DATE	REV.	SYNERGY 21	SYNERGY 21	SYNERGY 21	2017-4-25