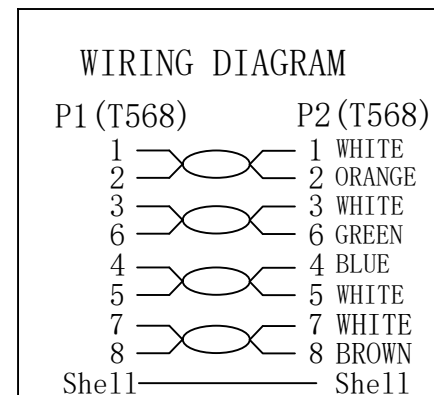


**NOTE:**

1. 100% OPEN SHORT, MISS WIRE TEST
2. Fluke channel test :  
TEST LIMIT:ISO11801 Channel Class I(+ALL)
3. ROHS 3.0 AND REACH COMPLIANT
4. Support Support PoE ,POE+,POE++
5. Minimum of the bending radius is 60mm
6. Operating temperature:-20°C~+75°C
7. Halogen free(IEC 60754-2)



**MATERIAL LIST**

|       |            |   |            |        |
|-------|------------|---|------------|--------|
| ③     | OVER MOLD  | 75A PVC   | 2          |        |
| ②     | CONNECTOR  | RJ45 8P8C Shielded Plug, Pin Gold Plated 50U", The Shell plated nickel , Black                  | 2          |        |
| ①     | CABLE      | S/FTP CAT8.1 (AWG26 BC*1P+AL-FOIL)*4PAIRS+ BRAID+ JACKET:Ultra Super Flex TPE(70A) OD:6.2±0.2mm | 1          |        |
| NO.   | PARTS NAME | SPECIFICATION STANDARD  | QT' Y      | REMARK |
| Hasia |            | change "ROSH 2.0" to "ROSH 3.0"   | 2022-02-25 | A1     |
|       |            | NEW   | 2021-01-23 | A      |
| BY    | CHK        | REVISION RECORD MODIFICATION  | DATE       | REV.   |

| SYNERGY 21   |                                    |                      |            |      |    |
|--------------|------------------------------------|----------------------|------------|------|----|
| CUSTOMER     | ITEM NO.                           | See The Chart        |            | UNIT | MM |
| PRODUCT NAME | CAT 8.1 S/FTP PATCH CORD 26AWG TPE | manufacture country: | CHINA      |      |    |
| DRAWN BY     | CHECK BY                           | APPO BY              | DATE       |      |    |
| SYNERGY 21   | SYNERGY 21                         | SYNERGY 21           | 2021-01-23 |      |    |

Chart:

| COLOR:BLACK PANTONE BLACK 3C |           |
|------------------------------|-----------|
| ITEM                         | LENGTH/mm |
| S217410                      | 150±5     |
| S217411                      | 250±10    |
| S217412                      | 500±15    |
| S217413                      | 1000±20   |
| S217414                      | 1500±30   |
| S217415                      | 2000±30   |
| S217416                      | 3000±50   |
| S217417                      | 5000±100  |
| S217418                      | 7500±200  |
| S217419                      | 10000±200 |

| COLOR:WHITE RAL 9003 |           |
|----------------------|-----------|
| ITEM                 | LENGTH/mm |
| S217420              | 150±5     |
| S217421              | 250±10    |
| S217422              | 500±15    |
| S217423              | 1000±20   |
| S217424              | 1500±30   |
| S217425              | 2000±30   |
| S217426              | 3000±50   |
| S217427              | 5000±100  |
| S217428              | 7500±200  |
| S217429              | 10000±200 |

| COLOR:GREY RAL 7035 |           |
|---------------------|-----------|
| ITEM                | LENGTH/mm |
| S217400             | 150±5     |
| S217401             | 250±10    |
| S217402             | 500±15    |
| S217403             | 1000±20   |
| S217404             | 1500±30   |
| S217405             | 2000±30   |
| S217406             | 3000±50   |
| S217407             | 5000±100  |
| S217408             | 7500±200  |
| S217409             | 10000±200 |

| COLOR:BLUE PANTONE 647C |           |
|-------------------------|-----------|
| ITEM                    | LENGTH/mm |
| S217430                 | 150±5     |
| S217431                 | 250±10    |
| S217432                 | 500±15    |
| S217433                 | 1000±20   |
| S217434                 | 1500±30   |
| S217435                 | 2000±30   |
| S217436                 | 3000±50   |
| S217437                 | 5000±100  |
| S217438                 | 7500±200  |
| S217439                 | 10000±200 |

| COLOR:RED PANTONE 199C |           |
|------------------------|-----------|
| ITEM                   | LENGTH/mm |
| S217440                | 150±5     |
| S217441                | 250±10    |
| S217442                | 500±15    |
| S217443                | 1000±20   |
| S217444                | 1500±30   |
| S217445                | 2000±30   |
| S217446                | 3000±50   |
| S217447                | 5000±100  |
| S217448                | 7500±200  |
| S217449                | 10000±200 |

| COLOR:GREEN PANTONE 3278C |           |
|---------------------------|-----------|
| ITEM                      | LENGTH/mm |
| S217450                   | 150±5     |
| S217451                   | 250±10    |
| S217452                   | 500±15    |
| S217453                   | 1000±20   |
| S217454                   | 1500±30   |
| S217455                   | 2000±30   |
| S217456                   | 3000±50   |
| S217457                   | 5000±100  |
| S217458                   | 7500±200  |
| S217459                   | 10000±200 |

**SYNERGY 21**

|    |     |                              |     |            |              |                                    |                      |               |            |            |
|----|-----|------------------------------|-----|------------|--------------|------------------------------------|----------------------|---------------|------------|------------|
|    |     |                              |     |            | CUSTOMER     |                                    | ITEM NO.             | See The Chart |            |            |
|    |     |                              |     |            | PRODUCT NAME | CAT 8.1 S/FTP PATCH CORD 26AWG TPE | manufacture country: | CHINA         | UNIT       | MM         |
|    |     |                              | NEW | 2021-01-23 | A            | DRAWNBY                            | CHECKBY              | APPROVE       | DATE       |            |
| BY | CHK | REVISION RECORD MODIFICATION |     |            | DATE         | REV.                               | SYNERGY 21           | SYNERGY 21    | SYNERGY 21 | 2021-01-23 |