

## ELEMENT S

Constant Current Compact – Non dimmable



### Areas of application

- Spotlight and downlight installations for shops
- Recessed luminaires
- Suitable for luminaires of protection classes I and II
- Suitable for indoor SELV installations

### Product family benefits

- Compatible with LEDs with Chip-On-Board technology and discrete LEDs
- High efficiency
- Simple installation and wiring

### Product family features

- Available with wattages up to 44 W
- Constant output current
- Integrated cable clamp for luminaire and independent installation
- Operated with Safety extra-low voltage (SELV): < 60 V
- Reversible overtemperature, overload, short-circuit and open-circuit protection

## Product family datasheet

### Technical data

#### Electrical data

Product description	Nominal input voltage	Mains frequency	Input voltage AC	Total harmonic distortion	Power factor $\lambda$	ECG efficiency
ELEMENT 6/220...240/150 S	220...240 V	50...60 Hz	198...264 V	< 20 %	0.95	>79 % <sup>1)</sup>
ELEMENT 8/220...240/200 S	220...240 V	50...60 Hz	198...264 V	< 20 %	0.95	>82 % <sup>1)</sup>
ELEMENT 10/220...240/250 S	220...240 V	50...60 Hz	198...264 V	< 20 %	0.95	>85 % <sup>1)</sup>
ELEMENT 12/220...240/300 S	220...240 V	50...60 Hz	198...264 V	< 20 %	0.95	>85 % <sup>1)</sup>
ELEMENT 15/220...240/350 S	220...240 V	50...60 Hz	198...264 V	< 20 %	0.95	>86 % <sup>1)</sup>
ELEMENT 20/220...240/500 S	220...240 V	50...60 Hz	198...264 V	< 20 %	0.95	>87 % <sup>1)</sup>
ELEMENT 25/220...240/600 S	220...240 V	50...60 Hz	198...264 V	< 20 %	0.95	>87 % <sup>1)</sup>
ELEMENT 30/220...240/700 S	220...240 V	50...60 Hz	198...264 V	< 20 %	0.95	>88 % <sup>1)</sup>
ELEMENT 33/220...240/800 S	220...240 V	50...60 Hz	198...264 V	< 20 %	0.95	>88 % <sup>1)</sup>
ELEMENT 38/220...240/900 S	220...240 V	50...60 Hz	198...264 V	< 20 %	0.95	>88 % <sup>1)</sup>
ELEMENT 44/220...240/1050 S	220...240 V	50...60 Hz	198...264 V	< 20 %	0.95	< 90 % <sup>1)</sup>

Product description	Device power loss	Protective conductor current	Inrush current	Max. ECG no. on circuit breaker 10 A (C)	Max. ECG no. on circuit breaker 10 A (B)	Max. ECG no. on circuit breaker 16 A (B)
ELEMENT 6/220...240/150 S	1.6 W <sup>2)</sup>	<0.7 mA	< 3 A <sup>3)</sup>	-	105	168
ELEMENT 8/220...240/200 S	2.0 W <sup>4)</sup>	<0.7 mA	< 5 A <sup>3)</sup>	-	86	139
ELEMENT 10/220...240/250 S	1.9 W <sup>5)</sup>	<0.7 mA	7 A <sup>3)</sup>	-	72	116
ELEMENT 12/220...240/300 S	2.23 W <sup>6)</sup>	<0.7 mA	< 4 A <sup>3)</sup>	-	60	96
ELEMENT 15/220...240/350 S	2.4 W <sup>7)</sup>	<0.7 mA	< 11 A <sup>3)</sup>	-	53	85
ELEMENT 20/220...240/500 S	3.0 W <sup>8)</sup>	<0.7 mA	< 10.5 A <sup>3)</sup>	-	37	60
ELEMENT 25/220...240/600 S	4.0 W <sup>9)</sup>	<0.7 mA	< 11.5 A <sup>3)</sup>	-	30	49
ELEMENT 30/220...240/700 S	4.5 W <sup>10)</sup>	<0.7 mA	< 10 A <sup>3)</sup>	-	27	42
ELEMENT 33/220...240/800 S	5.0 W <sup>11)</sup>	<0.7 mA	< 11 A <sup>12)</sup>	-	23	37
ELEMENT 38/220...240/900 S	6.0 W <sup>11)</sup>	<0.7 mA	< 11 A <sup>13)</sup>	-	21	33
ELEMENT 44/220...240/1050 S	5.7 W <sup>14)</sup>	<0.7 mA	< 11 A <sup>15)</sup>	-	18	29

Product description	Max. ECG no. on circuit breaker 16 A (C)	Max. ECG no. on circuit breaker 25 A (B)	Surge capability (L/N-Ground)	Surge capability (L-N)
ELEMENT 6/220...240/150 S	-	-	2 kV	1 kV
ELEMENT 8/220...240/200 S	-	-	2 kV	1 kV
ELEMENT 10/220...240/250 S	-	-	2 kV	1 kV
ELEMENT 12/220...240/300 S	-	-	2 kV	1 kV
ELEMENT 15/220...240/350 S	-	-	2 kV	1 kV
ELEMENT 20/220...240/500 S	-	-	2 kV	1 kV
ELEMENT 25/220...240/600 S	-	-	2 kV	1 kV
ELEMENT 30/220...240/700 S	-	-	2 kV	1 kV
ELEMENT 33/220...240/800 S	-	-	2 kV	1 kV
ELEMENT 38/220...240/900 S	-	-	2 kV	1 kV

## Product family datasheet

Product description	Max. ECG no. on circuit breaker 16 A (C)	Max. ECG no. on circuit breaker 25 A (B)	Surge capability (L/N-Ground)	Surge capability (L-N)
ELEMENT 44/220...240/1050 S	-	-	2 kV	1 kV

Product description	Nominal output voltage	U-OUT (working voltage)	Nominal output current	Output current tolerance	Output ripple current (100 Hz)
ELEMENT 6/220...240/150 S	30...42 V	60 V	150 mA	±7.5 %	< 30 %
ELEMENT 8/220...240/200 S	30...42 V	60 V	200 mA	±7.5 %	< 30 %
ELEMENT 10/220...240/250 S	30...42 V	60 V	250 mA	±7.5 %	< 30 %
ELEMENT 12/220...240/300 S	30...42 V	60 V	300 mA	±7.5 %	< 30 %
ELEMENT 15/220...240/350 S	30...42 V	60 V	350 mA	±7.5 %	< 30 %
ELEMENT 20/220...240/500 S	27...40 V	60 V	500 mA	±7.5 %	< 30 %
ELEMENT 25/220...240/600 S	27...40 V	60 V	600 mA	±7.5 %	< 30 %
ELEMENT 30/220...240/700 S	27...40 V	60 V	700 mA	±7.5 %	< 30 %
ELEMENT 33/220...240/800 S	27...40 V	60 V	800 mA	±7.5 %	< 30 %
ELEMENT 38/220...240/900 S	27...40 V	60 V	900 mA	±7.5 %	< 30 %
ELEMENT 44/220...240/1050 S	30...42 V	60 V	1050 mA	±7.5 %	< 30 %

Product description	Nominal output power	Galvanic isolation	Current set
ELEMENT 6/220...240/150 S	4.5...6.3 W	SELV	-
ELEMENT 8/220...240/200 S	6...8.4 W	SELV	-
ELEMENT 10/220...240/250 S	7.5...10.5 W	SELV	-
ELEMENT 12/220...240/300 S	9...12.6 W	SELV	-
ELEMENT 15/220...240/350 S	10.5...14.7 W	SELV	-
ELEMENT 20/220...240/500 S	13.5...20 W	SELV	-
ELEMENT 25/220...240/600 S	16.5...24 W	SELV	-
ELEMENT 30/220...240/700 S	19...28 W	SELV	-
ELEMENT 33/220...240/800 S	21.6...32 W	SELV	-
ELEMENT 38/220...240/900 S	24.5...36 W	SELV	-
ELEMENT 44/220...240/1050 S	28.3...42 W	SELV	-

1) At 50 Hz / At full load and 230 V

2) At 230 V, Input power 7.9 W max.

3)  $t_{width} = 100 \mu s$  (measured at 50 %  $I_{peak}$ )

4) At 230 V, Input power 10.4 W max.

5) At 230 V, Input power 12.4 W max.

6) At 230 V, Input power 14.83 W max.

7) At 230 V, Input power 17.1 W max.

8) At 230 V, Input power 23 W max.

9) At 230 V, Input power 27.6 W max.

10) At 230 V, Input power 31.9 W max.

11) At 230 V, full load

12)  $t_{width} = 154 \mu s$  typical (measured at 50 %  $I_{peak}$ )

## Product family datasheet

13)  $t_{\text{width}} = 165 \mu\text{s}$  typical (measured at 50 %  $I_{\text{peak}}$ )

14) At 230 V, Input power 46.6 W max.

15)  $t_{\text{width}} = 153 \mu\text{s}$  (measured at 50 %  $I_{\text{peak}}$ )

### Dimensions & weight

Product description	Mounting hole spacing, length	Mounting hole spacing, width	Product weight	Cable cross-section, input side	Cable cross-section, output side
ELEMENT 6/220...240/150 S	80.0 mm	34.0 mm	52.00 g	0.5...1.5 / 0.75...1.5 mm <sup>2</sup> 1)	0.5...1.5 / 0.75...1.5 mm <sup>2</sup> 1)
ELEMENT 8/220...240/200 S	80.0 mm	34.0 mm	52.00 g	0.5...1.5 / 0.75...1.5 mm <sup>2</sup> 1)	0.5...1.5 / 0.75...1.5 mm <sup>2</sup> 1)
ELEMENT 10/220...240/250 S	80.0 mm	34.0 mm	52.00 g	0.5...1.5 / 0.75...1.5 mm <sup>2</sup> 1)	0.5...1.5 / 0.75...1.5 mm <sup>2</sup> 1)
ELEMENT 12/220...240/300 S	80.0 mm	34.0 mm	54.00 g	0.5...1.5 / 0.75...1.5 mm <sup>2</sup> 1)	0.5...1.5 / 0.75...1.5 mm <sup>2</sup> 1)
ELEMENT 15/220...240/350 S	80.0 mm	34.0 mm	54.00 g	0.5...1.5 / 0.75...1.5 mm <sup>2</sup> 1)	0.5...1.5 / 0.75...1.5 mm <sup>2</sup> 1)
ELEMENT 20/220...240/500 S	88.0 mm	34.0 mm	66.00 g	0.5...1.5 / 0.75...1.5 mm <sup>2</sup> 1)	0.5...1.5 / 0.75...1.5 mm <sup>2</sup> 1)
ELEMENT 25/220...240/600 S	88.0 mm	34.0 mm	66.00 g	0.5...1.5 / 0.75...1.5 mm <sup>2</sup> 1)	0.5...1.5 / 0.75...1.5 mm <sup>2</sup> 1)
ELEMENT 30/220...240/700 S	88.0 mm	34.0 mm	66.00 g	0.5...1.5 / 0.75...1.5 mm <sup>2</sup> 1)	0.5...1.5 / 0.75...1.5 mm <sup>2</sup> 1)
ELEMENT 33/220...240/800 S	88.0 mm	34.0 mm	86.00 g	0.5...1.5 / 0.75...1.5 mm <sup>2</sup> 1)	0.5...1.5 / 0.75...1.5 mm <sup>2</sup> 1)
ELEMENT 38/220...240/900 S	88.0 mm	34.0 mm	88.00 g	0.5...1.5 / 0.75...1.5 mm <sup>2</sup> 1)	0.5...1.5 / 0.75...1.5 mm <sup>2</sup> 1)
ELEMENT 44/220...240/1050 S	88.0 mm	34.0 mm	88.00 g	0.5...1.5 / 0.75...1.5 mm <sup>2</sup> 1)	0.5...1.5 / 0.75...1.5 mm <sup>2</sup> 1)

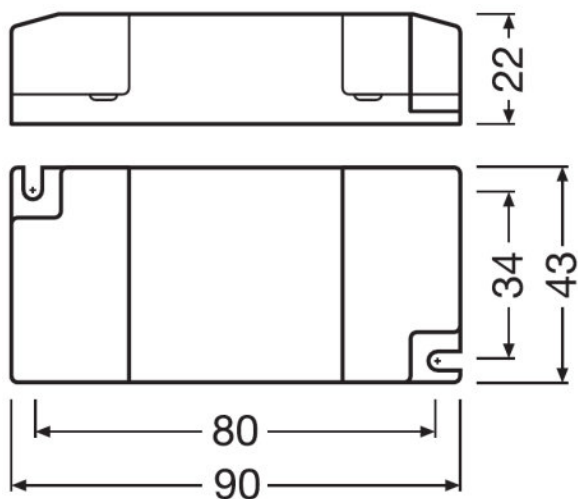
  

Product description	Wire preparation length, input side	Wire preparation length, output side	Length	Width	Height
ELEMENT 6/220...240/150 S	7...8 mm	7...8 mm	90.0 mm	43.0 mm	22.0 mm
ELEMENT 8/220...240/200 S	7...8 mm	7...8 mm	90.0 mm	43.0 mm	22.0 mm
ELEMENT 10/220...240/250 S	7...8 mm	7...8 mm	90.0 mm	43.0 mm	22.0 mm
ELEMENT 12/220...240/300 S	7...8 mm	7...8 mm	90.0 mm	43.0 mm	22.0 mm
ELEMENT 15/220...240/350 S	7...8 mm	7...8 mm	90.0 mm	43.0 mm	22.0 mm
ELEMENT 20/220...240/500 S	7...8 mm	7...8 mm	97.0 mm	43.0 mm	25.0 mm
ELEMENT 25/220...240/600 S	7...8 mm	7...8 mm	97.0 mm	43.0 mm	25.0 mm
ELEMENT 30/220...240/700 S	7...8 mm	7...8 mm	97.0 mm	43.0 mm	25.0 mm
ELEMENT 33/220...240/800 S	7...8 mm	7...8 mm	97.0 mm	43.0 mm	29.0 mm
ELEMENT 38/220...240/900 S	7...8 mm	7...8 mm	97.0 mm	43.0 mm	29.0 mm
ELEMENT 44/220...240/1050 S	7...8 mm	7...8 mm	97.0 mm	43.0 mm	29.0 mm

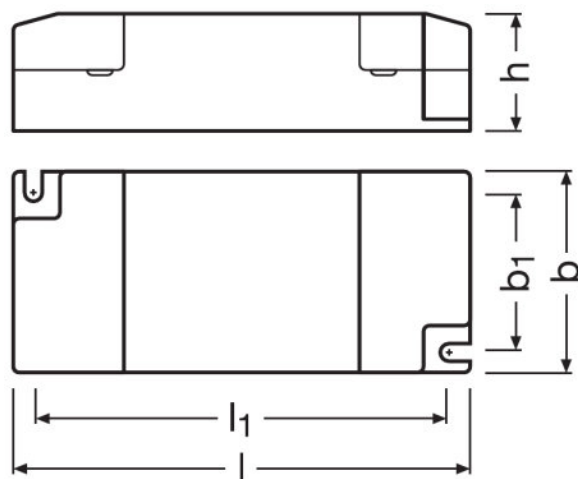
1) Solid or flexible leads

## Product family datasheet

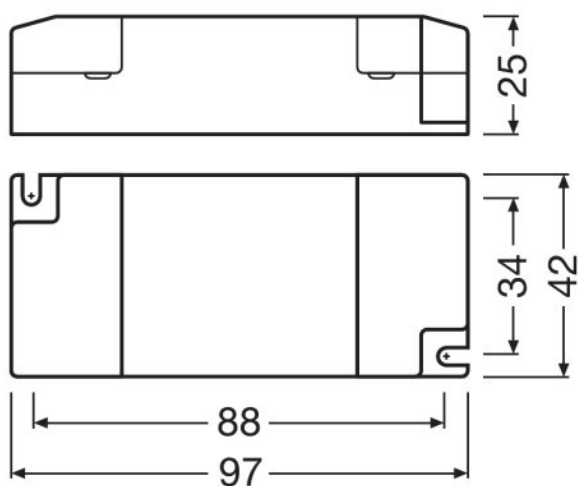
### Product line drawing



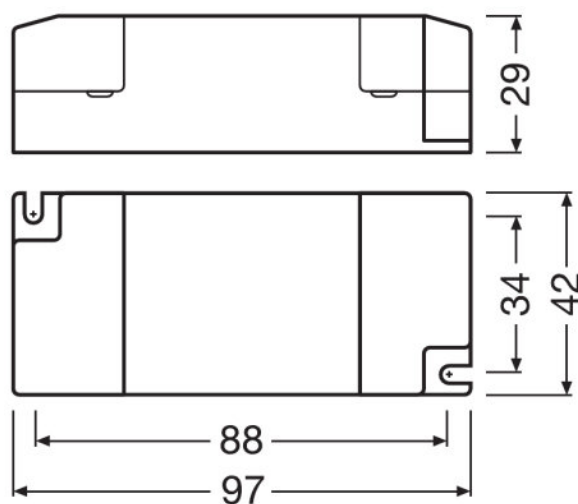
ELEMENT 6/220...240/150 S, ELEMENT 10/220...240/250 S



ELEMENT 8/220...240/200 S, ELEMENT 12/220...240/300 S, ELEMENT 15/220...240/350 S

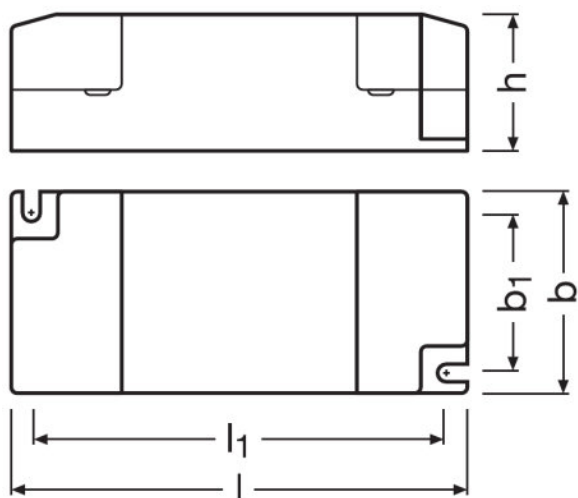


ELEMENT 20/220...240/500 S, ELEMENT 25/220...240/600 S, ELEMENT 30/220...240/700 S



ELEMENT 33/220...240/800 S, ELEMENT 38/220...240/900 S

## Product family datasheet



ELEMENT 44/220...240/1050 S

### Colors & materials

Product description	Casing material
ELEMENT 6/220...240/150 S	Plastic
ELEMENT 8/220...240/200 S	Plastic
ELEMENT 10/220...240/250 S	Plastic
ELEMENT 12/220...240/300 S	Plastic
ELEMENT 15/220...240/350 S	Plastic
ELEMENT 20/220...240/500 S	Plastic
ELEMENT 25/220...240/600 S	Plastic
ELEMENT 30/220...240/700 S	Plastic
ELEMENT 33/220...240/800 S	Plastic
ELEMENT 38/220...240/900 S	Plastic
ELEMENT 44/220...240/1050 S	Plastic

## Product family datasheet

### Temperatures & operating conditions

Product description	Ambient temperature range	Maximum temperature at tc test point	Max.housing temperature in case of fault	Temperature range at storage
ELEMENT 6/220...240/150 S	-20...+50 °C	75 °C <sup>1)</sup>	110 °C	-40...85 °C
ELEMENT 8/220...240/200 S	-20...+50 °C	75 °C <sup>1)</sup>	110 °C	-40...85 °C
ELEMENT 10/220...240/250 S	-20...+50 °C	75 °C <sup>1)</sup>	110 °C	-40...85 °C
ELEMENT 12/220...240/300 S	-20...+50 °C	80 °C <sup>1)</sup>	110 °C	-40...85 °C
ELEMENT 15/220...240/350 S	-20...+50 °C	80 °C <sup>1)</sup>	110 °C	-40...85 °C
ELEMENT 20/220...240/500 S	-20...+50 °C	80 °C <sup>1)</sup>	110 °C	-40...85 °C
ELEMENT 25/220...240/600 S	-20...+50 °C	80 °C <sup>1)</sup>	110 °C	-40...85 °C
ELEMENT 30/220...240/700 S	-20...+50 °C	80 °C <sup>1)</sup>	110 °C	-40...85 °C
ELEMENT 33/220...240/800 S	-20...+50 °C	80 °C <sup>1)</sup>	110 °C	-40...85 °C
ELEMENT 38/220...240/900 S	-20...+50 °C	80 °C <sup>1)</sup>	110 °C	-40...85 °C
ELEMENT 44/220...240/1050 S	-20...+50 °C	85 °C <sup>1)</sup>	110 °C	-40...85 °C

Product description	Permitted rel. humidity during operation
ELEMENT 6/220...240/150 S	5...95 % <sup>2)</sup>
ELEMENT 8/220...240/200 S	5...95 % <sup>2)</sup>
ELEMENT 10/220...240/250 S	5...95 % <sup>2)</sup>
ELEMENT 12/220...240/300 S	5...95 % <sup>2)</sup>
ELEMENT 15/220...240/350 S	5...95 % <sup>2)</sup>
ELEMENT 20/220...240/500 S	5...95 % <sup>2)</sup>
ELEMENT 25/220...240/600 S	5...95 % <sup>2)</sup>
ELEMENT 30/220...240/700 S	5...85 % <sup>3)</sup>
ELEMENT 33/220...240/800 S	5...85 % <sup>3)</sup>
ELEMENT 38/220...240/900 S	5...85 % <sup>3)</sup>
ELEMENT 44/220...240/1050 S	5...95 % <sup>2)</sup>

<sup>1)</sup> Measured on tc point indicated on the product label.

<sup>2)</sup> Non-condensing

<sup>3)</sup> Maximum 56 days/year at 85 %

## Product family datasheet

### Lifespan

Product description	ECG lifetime
ELEMENT 6/220...240/150 S	30000 / 50000 h <sup>1)</sup>
ELEMENT 8/220...240/200 S	30000 / 50000 h <sup>2)</sup>
ELEMENT 10/220...240/250 S	30000 / 50000 h <sup>1)</sup>
ELEMENT 12/220...240/300 S	30000 / 50000 h <sup>3)</sup>
ELEMENT 15/220...240/350 S	30000 / 50000 h <sup>3)</sup>
ELEMENT 20/220...240/500 S	30000 / 50000 h <sup>3)</sup>
ELEMENT 25/220...240/600 S	30000 / 50000 h <sup>3)</sup>
ELEMENT 30/220...240/700 S	30000 / 50000 h <sup>3)</sup>
ELEMENT 33/220...240/800 S	30000 / 50000 h <sup>3)</sup>
ELEMENT 38/220...240/900 S	30000 / 50000 h <sup>3)</sup>
ELEMENT 44/220...240/1050 S	30000 / 50000 h <sup>4)</sup>

<sup>1)</sup> At maximum  $T_c = 75^\circ\text{C}$  / 10% failure rate / At maximum  $T_c = 65^\circ\text{C}$  / 10% failure rate

<sup>2)</sup> At maximum  $T_c = 80^\circ\text{C}$  / 10% failure rate, At  $T_c = 70^\circ\text{C}$  / 10% failure rate / At maximum  $T_c = 70^\circ\text{C}$  / 10% failure rate

<sup>3)</sup> At maximum  $T_c = 80^\circ\text{C}$  / 10% failure rate / At maximum  $T_c = 70^\circ\text{C}$  / 10% failure rate

<sup>4)</sup> At maximum  $T_c = 85^\circ\text{C}$  / 10% failure rate / At maximum  $T_c = 75^\circ\text{C}$  / 10% failure rate

### Additional product data

Product description	Encapsulated
ELEMENT 6/220...240/150 S	No
ELEMENT 8/220...240/200 S	No
ELEMENT 10/220...240/250 S	No
ELEMENT 12/220...240/300 S	No
ELEMENT 15/220...240/350 S	No
ELEMENT 20/220...240/500 S	No
ELEMENT 25/220...240/600 S	No
ELEMENT 30/220...240/700 S	No
ELEMENT 33/220...240/800 S	No
ELEMENT 38/220...240/900 S	No
ELEMENT 44/220...240/1050 S	No



## Product family datasheet

### Capabilities

Product description	Dimmable	Overheating protection	Overload protection
ELEMENT 6/220...240/150 S	No	Automatic reversible	Automatic reversible
ELEMENT 8/220...240/200 S	No	Automatic reversible	Automatic reversible
ELEMENT 10/220...240/250 S	No	Automatic reversible	Automatic reversible
ELEMENT 12/220...240/300 S	No	Automatic reversible	Automatic reversible
ELEMENT 15/220...240/350 S	No	Automatic reversible	Automatic reversible
ELEMENT 20/220...240/500 S	No	Automatic reversible	Automatic reversible
ELEMENT 25/220...240/600 S	No	Automatic reversible	Automatic reversible
ELEMENT 30/220...240/700 S	No	Automatic reversible	Automatic reversible
ELEMENT 33/220...240/800 S	No	Automatic reversible	Automatic reversible
ELEMENT 38/220...240/900 S	No	Automatic reversible	Automatic reversible
ELEMENT 44/220...240/1050 S	No	Automatic reversible	Automatic reversible

Product description	Short-circuit protection	No-load proof	Max. cable length to lamp/LED module	Suitable for fixtures with prot. class
ELEMENT 6/220...240/150 S	Automatic reversible	Yes	2.0 m	I / II
ELEMENT 8/220...240/200 S	Automatic reversible	Yes	2.0 m	I / II
ELEMENT 10/220...240/250 S	Automatic reversible	Yes	2.0 m	I / II
ELEMENT 12/220...240/300 S	Automatic reversible	Yes	2.0 m	I / II
ELEMENT 15/220...240/350 S	Automatic reversible	Yes	2.0 m	I / II
ELEMENT 20/220...240/500 S	Automatic reversible	Yes	2.0 m	I / II
ELEMENT 25/220...240/600 S	Automatic reversible	Yes	2.0 m	I / II
ELEMENT 30/220...240/700 S	Automatic reversible	Yes	2.0 m	I / II
ELEMENT 33/220...240/800 S	Automatic reversible	Yes	2.0 m	I / II
ELEMENT 38/220...240/900 S	Automatic reversible	Yes	2.0 m	I / II
ELEMENT 44/220...240/1050 S	Automatic reversible	Yes	2.0 m	I / II

Product description	Type of connection, output side	Number of channels
ELEMENT 6/220...240/150 S	Push terminal	1
ELEMENT 8/220...240/200 S	Push terminal	1
ELEMENT 10/220...240/250 S	Push terminal	1
ELEMENT 12/220...240/300 S	Push terminal	1
ELEMENT 15/220...240/350 S	Push terminal	1
ELEMENT 20/220...240/500 S	Push terminal	1
ELEMENT 25/220...240/600 S	Push terminal	1
ELEMENT 30/220...240/700 S	Push terminal	1
ELEMENT 33/220...240/800 S	Push terminal	1
ELEMENT 38/220...240/900 S	Push terminal	1
ELEMENT 44/220...240/1050 S	Push terminal	1

## Product family datasheet

### Certificates & standards

Product description	Approval marks – approval
ELEMENT 6/220...240/150 S	ENEC 05 / CCC / RCM / CE
ELEMENT 8/220...240/200 S	ENEC 05 / CCC / RCM / CE
ELEMENT 10/220...240/250 S	ENEC 05 / CCC / RCM / CE
ELEMENT 12/220...240/300 S	ENEC 05 / CCC / RCM / CE
ELEMENT 15/220...240/350 S	ENEC 05 / CCC / RCM / CE
ELEMENT 20/220...240/500 S	ENEC 05 / CCC / RCM / CE
ELEMENT 25/220...240/600 S	ENEC 05 / CCC / RCM / CE
ELEMENT 30/220...240/700 S	ENEC 05 / CCC / RCM / CE
ELEMENT 33/220...240/800 S	ENEC 05 / CCC / RCM / CE
ELEMENT 38/220...240/900 S	ENEC 05 / CCC / RCM / CE
ELEMENT 44/220...240/1050 S	ENEC 05 / CCC / RCM / CE

Product description	Standards	Type of protection
ELEMENT 6/220...240/150 S	Acc. to IEC 61347-1/Acc. to IEC 61347-2-13/Acc. to IEC 62384/Acc. to IEC 61000-3-2/Acc. to IEC 61547/Acc. to IEC 61000-3-3	IP20
ELEMENT 8/220...240/200 S	Acc. to IEC 61347-1/Acc. to IEC 61347-2-13/Acc. to IEC 62384/Acc. to IEC 61000-3-2/Acc. to IEC 61547/Acc. to IEC 61000-3-3	IP20
ELEMENT 10/220...240/250 S	Acc. to IEC 61347-1/Acc. to IEC 61347-2-13/Acc. to IEC 62384/Acc. to IEC 61000-3-2/Acc. to IEC 61547/Acc. to IEC 61000-3-3	IP20
ELEMENT 12/220...240/300 S	Acc. to IEC 61347-1/Acc. to IEC 61347-2-13/Acc. to IEC 62384/Acc. to IEC 61000-3-2/Acc. to IEC 61547/Acc. to IEC 61000-3-3	IP20
ELEMENT 15/220...240/350 S	Acc. to IEC 61347-1/Acc. to IEC 61347-2-13/Acc. to IEC 62384/Acc. to IEC 61000-3-2/Acc. to IEC 61547/Acc. to IEC 61000-3-3	IP20
ELEMENT 20/220...240/500 S	Acc. to IEC 61347-1/Acc. to IEC 61347-2-13/Acc. to IEC 62384/Acc. to IEC 61000-3-2/Acc. to IEC 61547/Acc. to IEC 61000-3-3	IP20
ELEMENT 25/220...240/600 S	Acc. to IEC 61347-1/Acc. to IEC 61347-2-13/Acc. to IEC 62384/Acc. to IEC 61000-3-2/Acc. to IEC 61547/Acc. to IEC 61000-3-3	IP20
ELEMENT 30/220...240/700 S	Acc. to IEC 61347-1/Acc. to IEC 61347-2-13/Acc. to IEC 62384/Acc. to IEC 61000-3-2/Acc. to IEC 61547/Acc. to IEC 61000-3-3	IP20
ELEMENT 33/220...240/800 S	Acc. to IEC 61347-1/Acc. to IEC 61347-2-13/Acc. to IEC 62384/Acc. to IEC 61000-3-2/Acc. to IEC 61547/Acc. to IEC 61000-3-3	IP20
ELEMENT 38/220...240/900 S	Acc. to IEC 61347-1/Acc. to IEC 61347-2-13/Acc. to IEC 62384/Acc. to IEC 61000-3-2/Acc. to IEC 61547/Acc. to IEC 61000-3-3	IP20
ELEMENT 44/220...240/1050 S	Acc. to IEC 61347-1/Acc. to IEC 61347-2-13/Acc. to IEC 62384/Acc. to IEC 61000-3-2/Acc. to IEC 61547/Acc. to IEC 61000-3-3	IP20

## Product family datasheet

### Logistical data

Product description	Commodity code
ELEMENT 6/220...240/150 S	850440829000
ELEMENT 8/220...240/200 S	850440829000
ELEMENT 10/220...240/250 S	850440829000
ELEMENT 12/220...240/300 S	850440829000
ELEMENT 15/220...240/350 S	850440829000
ELEMENT 20/220...240/500 S	850440829000
ELEMENT 25/220...240/600 S	850440829000
ELEMENT 30/220...240/700 S	850440829000
ELEMENT 33/220...240/800 S	850440829000
ELEMENT 38/220...240/900 S	850440829000
ELEMENT 44/220...240/1050 S	850440829000



### Application advice

For more detailed application information and graphics please see product datasheet.

### Sales and Technical Support

— Sales and Technical Support [www.osram.com](http://www.osram.com)

### Download Data

File
 User instruction ELEMENT LED Power Supply
 Declarations of conformity EU Declaration of Conformity 3754517 (EN)

### Logistical Data

Product code	Product description	Packaging unit (Pieces/Unit)	Dimensions (length x width x height)	Volume	Gross weight
4052899552821	ELEMENT 6/220...240/150 S	Shipping carton box 50	232 mm x 197 mm x 155 mm	7.08 dm <sup>3</sup>	2842.00 g
4052899552845	ELEMENT 8/220...240/200 S	Shipping carton box 50	232 mm x 197 mm x 155 mm	7.08 dm <sup>3</sup>	2842.00 g
4052899552869	ELEMENT 10/220...240/250 S	Shipping carton box 50	232 mm x 197 mm x 155 mm	7.08 dm <sup>3</sup>	2942.00 g

## Product family datasheet

Product code	Product description	Packaging unit (Pieces/Unit)	Dimensions (length x width x height)	Volume	Gross weight
4052899552883	ELEMENT 12/220...240/300 S	Shipping carton box 50	232 mm x 197 mm x 155 mm	7.08 dm <sup>3</sup>	2942.00 g
4052899552906	ELEMENT 15/220...240/350 S	Shipping carton box 50	232 mm x 197 mm x 155 mm	7.08 dm <sup>3</sup>	2942.00 g
4052899552920	ELEMENT 20/220...240/500 S	Shipping carton box 50	232 mm x 212 mm x 170 mm	8.36 dm <sup>3</sup>	3565.00 g
4052899552944	ELEMENT 25/220...240/600 S	Shipping carton box 50	232 mm x 212 mm x 170 mm	8.36 dm <sup>3</sup>	3565.00 g
4052899552999	ELEMENT 30/220...240/700 S	Shipping carton box 50	232 mm x 212 mm x 170 mm	8.36 dm <sup>3</sup>	3565.00 g
4052899553019	ELEMENT 33/220...240/800 S	Shipping carton box 50	232 mm x 212 mm x 190 mm	9.34 dm <sup>3</sup>	4585.00 g
4052899553033	ELEMENT 38/220...240/900 S	Shipping carton box 50	232 mm x 212 mm x 190 mm	9.34 dm <sup>3</sup>	4685.00 g
4052899553057	ELEMENT 44/220...240/1050 S	Shipping carton box 50	232 mm x 212 mm x 190 mm	9.34 dm <sup>3</sup>	4685.00 g

The mentioned product code describes the smallest quantity unit which can be ordered. One shipping unit can contain one or more single products. When placing an order, for the quantity please enter single or multiples of a shipping unit.

---

### Disclaimer

Subject to change without notice. Errors and omission excepted. Always make sure to use the most recent release.