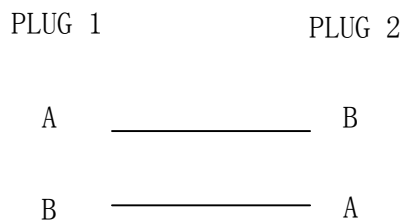


Pin assignment (1:1)



Note:
 ROHS 2.0 & REACH Compliant
 Test:
 Grade Designation: Each to Reference

TYPE	MULTI-MODE	Standard
Insertion LOSS	≤0.3dB	IEC 61300-3-4
Return LOSS	≥35dB	IEC 61300-3-6
Test Wavelength	850nm	
Typical	≤0.10dB	
Durability	0.2dB after 500 Times mating	IEC 61300-2-2
Temperature range	-20°C~+60°C	IEC 60794-2
End face		IEC/PAS 61300-3-35
Fibre cable Straight pull	6.8kg	GR-326-CORE

MATERIAL LIST:

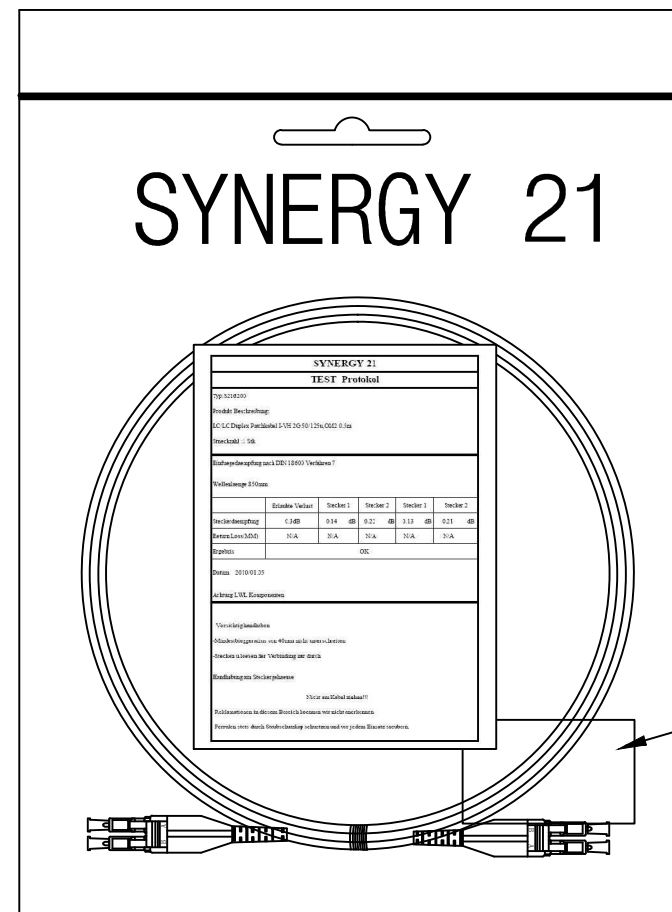
NO.	SPECIFICATION STANDARD	QT' Y	REMARK
⑦	White Heat Shrink Tube	2pcs	
⑥	LC Uniboot Duplex Clip beige	2pcs	
⑤	LC Dust Cap White	4pcs	
④	LC Uniboot Duplex Connector beige	4pcs	
③	LC White Boot	2pcs	
②	LC/UPC MM Ferrule OD:1.25mm ID:126-128um	4pcs	
①	Fiber Optical Cable Aqua 50/125 OM3 Simplex φ3.0mm LSZH	L+0.1m	

SYNERGY 21					
CUSTOMER	ITEM NO.			UNIT	MM
PRODUCT NAME	LC-LC Uniboot Duplex OM3 Patch cord	manufacture country	CHINA	UNIT	MM
DRAWNBY	CHECKBY	APPOBY	DATE		
SYNERGY 21	SYNERGY 21	SYNERGY 21	2014-12-25		

FERGUS	ADD PIN assignment	2015-10-08	A1
	NEW	2014-12-25	A
BY	CHK	REVISION RECORD MODIFICATIONS	DATE

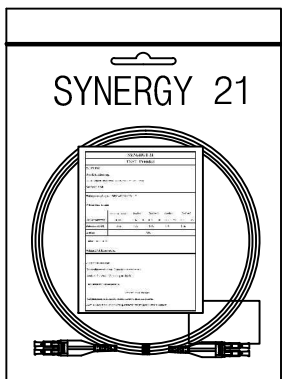
PACKING DRAW

ITEM NO.	Shopnumber	LENGTH	EAN CODE	PACKING
S216700	118543	500MM	4038816040855	SYNERGY 21 Bag A
S216701	118526	1000MM	4038816118523	SYNERGY 21 Bag A
S216702	118527	2000MM	4038816040640	SYNERGY 21 Bag A
S216703	118528	3000MM	4038816040657	SYNERGY 21 Bag B
S216704	118529	5000MM	4038816040671	SYNERGY 21 Bag B
S216705	118530	7500MM	4038816118530	SYNERGY 21 Bag B
S216706	118531	10000MM	4038816040695	SYNERGY 21 Bag B
S216707	118532	15000MM	4038816040718	SYNERGY 21 Bag B
S216708	118533	20000MM	4038816040732	SYNERGY 21 Bag B



Label

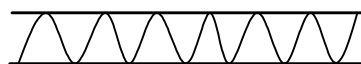
SYNERGY 21									
CUSTOMER				ITEM NO.					
PRODUCT NAME	LC-LC Uniboot Duplex OM3 Patch cord	manufacture country	CHINA	UNIT	MM				
FERGUS	ADD PIN assignment			2015-10-08	A1	DRAWNBY	CHECKBY	APPOBY	DATE
	NEW			2014-12-25	A	SYNERGY 21	SYNERGY 21	SYNERGY 21	2014-12-25
BY	CHK	REVISION RECORD MODIFICATIONS			DATE	REV.			



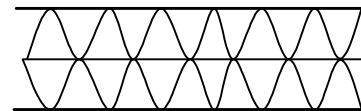
SYNERGY 21
S216700 118543
LWL-Patchkabel 0,5m, LC-LC, 50/125um, OM3, Uniboot, Synergy 21
LWL-Patch cable 0,5m, LC-LC, 50/125um, OM3, Uniboot, Synergy 21, Reach and RoHS II
CE
0 3 8 8 1 6 0 4 0 8 5 5

Label 1 Sample

Inner Carton: Single wall corrugated board

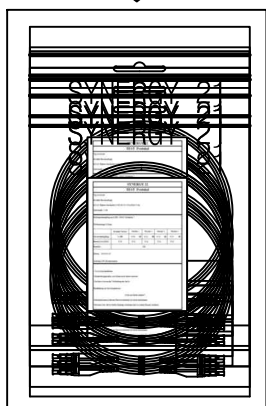
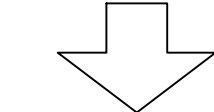


Carton: Double wall corrugated board



Item No: S216700 118543
LWL-Patchkabel 0,5m, LC-LC, 50/125um, OM3, Uniboot, Synergy 21
Package unit: XX pcs
0 3 8 8 1 6 0 4 0 8 5 5

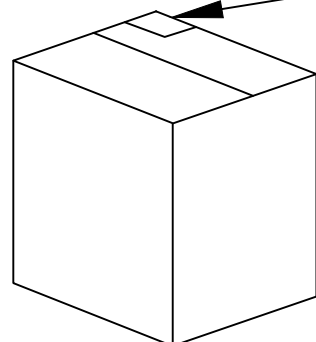
Label 4 Sample



Item No: S216700 118543
LWL-Patchkabel 0,5m, LC-LC, 50/125um, OM3, Uniboot, Synergy 21
Reach and RoHS II
10 PCS/PE CE

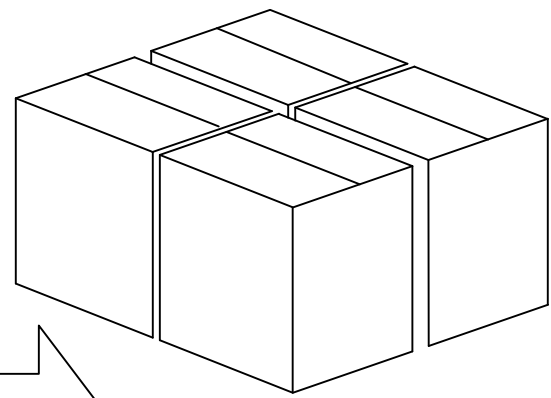
Label 2 Sample

Label 3

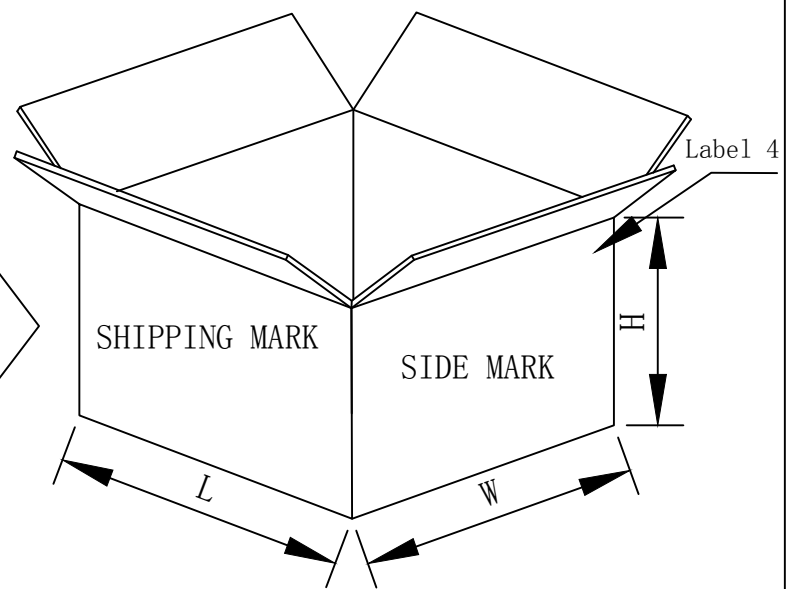
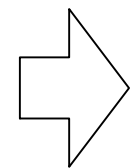


LWL-Patch cable 0,5m, LC-LC, 50/125um, OM3, Uniboot, Synergy 21-
Item No: S216700 118543
Q'TY: xxxPCS

Label 3 Sample



217mm*217mm*220mm



450mm*450mm*250mm

1. 1PCS/PE Bag + Label, xxPCS/ inner Carton /4 inner carton/out carton
2. "I" type sealing

SYNERGY 21									
CUSTOMER					ITEM NO.				
PRODUCT NAME		PACKING		manufacture country		CHINA		UNIT	MM
DRAWNBY		CHECKBY		APPOBY		DATE			
BY		CHK		SYNERGY 21		SYNERGY 21		SYNERGY 21	

FERGUS		ADD PIN assignment		2015-10-08	A1
		NEW		2014-12-25	A
BY		CHK		DATE	REV.
REVISION RECORD MODIFICATIONS					
				SYNERGY 21	SYNERGY 21