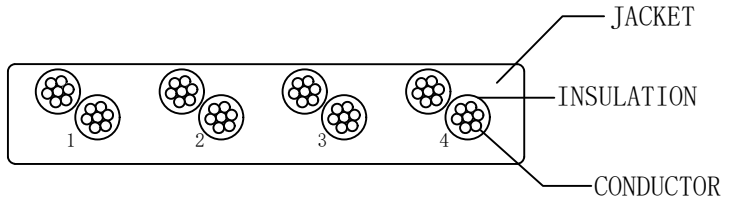
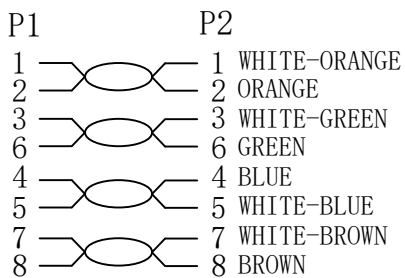


WIRING DIAGRAM



MATERIAL LIST

⑥	LABEL	NO DRY GLUE LABEL	1	
⑤	MINI TIE	PE MINI TIE (POSSESS METAL)	2	
④	BAG	SYNERGY 21 SLIP PE BAG	1	
③	OVER MOLD	45P PVC	2	
②	CONNECTOR	RJ45 8P8C Unshielded Plug, Pin Gold Plated, Transparence	2	
①	CABLE	U/UTP CAT. 6 32AWG (7/0.08BC*1P)*4PAIRS JACKET:PVC OD:T=1.5±0.1mm W=6.0±0.3MM	1	

NOTE:

- 100% OPEN SHORT, MISS WIRE TEST
- PRINT WORD:  
CAT. 6 U/UTP FLAT CABLE
- ROHS 3.0 & REACH COMPLIANT
- PACKING: 1PCS/SYNERGY 21 SLIP BAG+LABEL

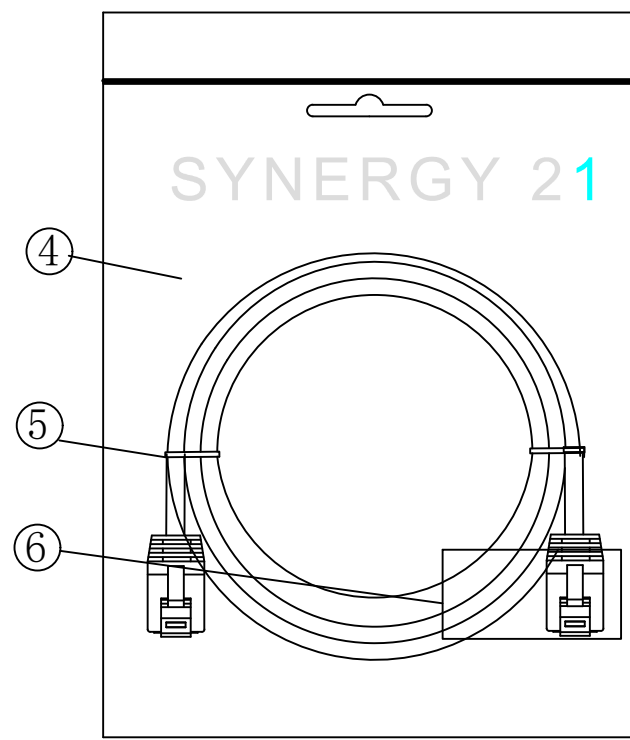
SYNERGY 21					
CUSTOMER		ITEM NO.			
PRODUCT NAME	CAT. 6 U/UTP FLAT PATCH CORD	manufacture country:	CHINA	UNIT	MM
DRAWN BY	CHECK BY	APPO BY	DATE		
SYNERGY 21	SYNERGY 21	SYNERGY 21	2013-01-07		

NO.	PARTS NAME	SPECIFICATION STANDARD	QT' Y	REMARK
	Hasia	change "ROSH 2.0" to "ROSH 3.0"		2022-02-25 A1
		NEW		2013-01-07 A
BY	CHK	REVISION RECORD MODIFICATION		DATE REV. SYNERGY 21 SYNERGY 21 SYNERGY 21 2013-01-07

COLOUR:GRAY (PANTONE 420C)		
ITEM NO.	LENGTH	PACKING
S216160	250±5	SYNERGY 21 BAG A
S216161	500±15	SYNERGY 21 BAG A
S216162	1000±10	SYNERGY 21 BAG A
S216163	2000±20	SYNERGY 21 BAG A
S216164	3000±30	SYNERGY 21 BAG A
S216165	5000±50	SYNERGY 21 BAG A
S216166	7500±75	SYNERGY 21 BAG A
S216167	10000±100	SYNERGY 21 BAG A

COLOUR:WHITE		
ITEM NO.	LENGTH	PACKING
S216170	250±5	SYNERGY 21 BAG A
S216171	500±15	SYNERGY 21 BAG A
S216172	1000±10	SYNERGY 21 BAG A
S216173	2000±20	SYNERGY 21 BAG A
S216174	3000±30	SYNERGY 21 BAG A
S216175	5000±50	SYNERGY 21 BAG A
S216176	7500±75	SYNERGY 21 BAG A
S216177	10000±100	SYNERGY 21 BAG A

COLOUR:BLACK		
ITEM NO.	LENGTH	PACKING
S216180	250±5	SYNERGY 21 BAG A
S216181	500±15	SYNERGY 21 BAG A
S216182	1000±10	SYNERGY 21 BAG A
S216183	2000±20	SYNERGY 21 BAG A
S216184	3000±30	SYNERGY 21 BAG A
S216185	5000±50	SYNERGY 21 BAG A
S216186	7500±75	SYNERGY 21 BAG A
S216187	10000±100	SYNERGY 21 BAG A



UNO ELECTRONIC LIMITED (HK)					
TEL:0086-574-87990380;FAX:0086-574-87990385					
CUSTOMER		ITEM NO.			
PRODUCT NAME	CAT.6 U/UTP FLAT PATCH CORD	manufacture country:	CHINA	UNIT	MM
BY	CHK	DATE	REV.	SYNERGY 21	SYNERGY 21
NEW		2013-01-07	A	SYNERGY 21	SYNERGY 21
REVISION RECORD MODIFICATION		DATE	REV.	SYNERGY 21	SYNERGY 21
				SYNERGY 21	2013-01-07

BY	CHK	REVISION RECORD MODIFICATION	DATE	REV.	SYNERGY 21	SYNERGY 21	SYNERGY 21	2013-01-07
----	-----	------------------------------	------	------	------------	------------	------------	------------