

Colored Coating Fiber: 250um±15um  
 Inner Jacket: black  
 Polyester yarn  
 Outer Jacket: White (RAL9001) 2.2mm±0.2mm

Tension (Short Term)	120N, no change in attenuation after the test, no sheath damage
Tension (Long Term)	60N, no change in attenuation
Crush (Short Term)	500N/100mm, no fiber breakage, no sheath damage
Crush (Long Term)	100N/100mm, no change in attenuation

NB 0598  
 Alinet Computersysteme GmbH.  
 Maistr.2 D-82110 Germering Germany  
 19  
 20190729\_001  
 EN50575:2014+A1:2016  
 FTTH Optical Fiber Cable 4FO  
 Supply of data transmission in buildings and other civil engineering works with the objective of limiting the generation and spread of fire and smoke  
 Reaction to Fire: Eca  
 Dangerous substances: none

ITEM NO.	LENGTH	FIBER	Color
S215571.20m	20M	G657.A2	White
S215571.40m	40M	G657.A2	White
S215571.60m	60M	G657.A2	White

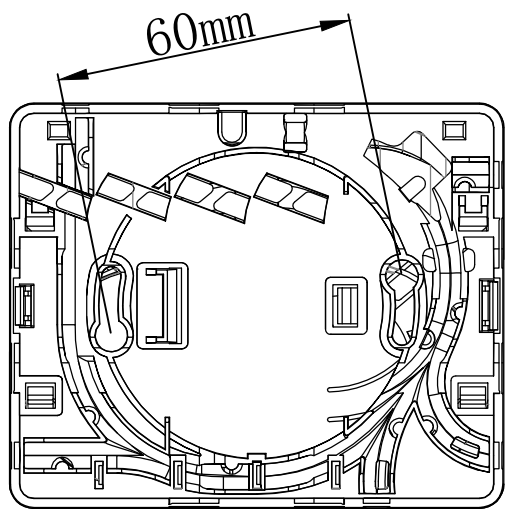
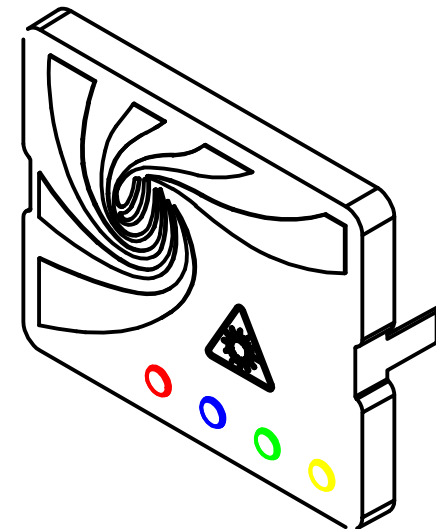
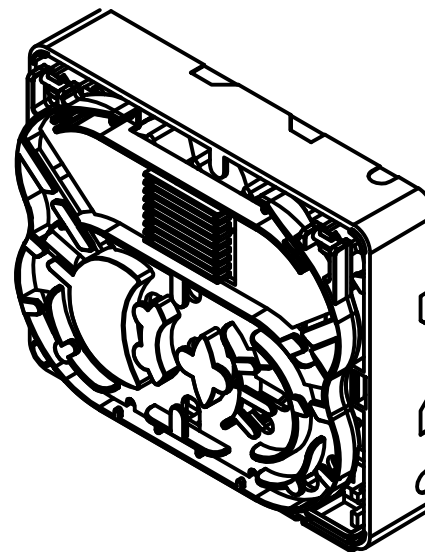
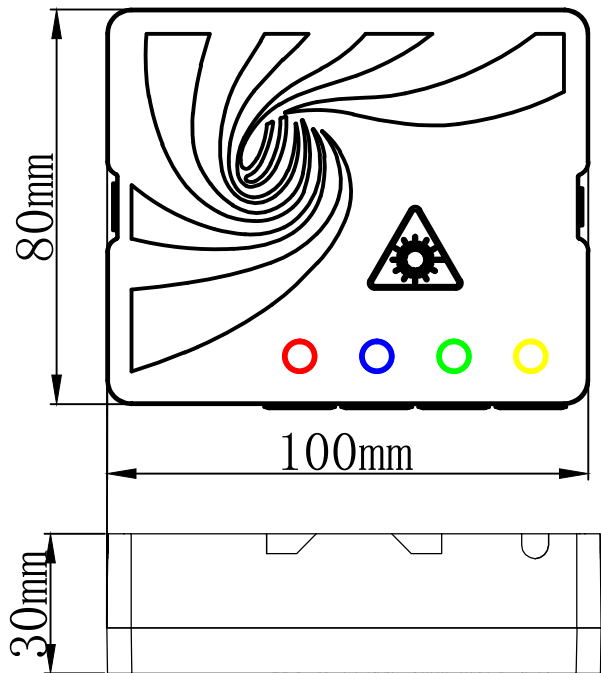
Note:  
 1. Grade Designation: Each to Reference  
 2. ROHS 2.0 (EU)/2015/863 and REACH Compliant  
 3. Bending insensitive fiber

Type	Single-Mode
Insertion Loss	≤ 0.30dB
Return Loss	≥ 60dB
Test Wavelength	1310nm

Packing: 1pcs/Paper shaft + test report

⑨	0.9 Tube Hytrel Color:Red	560mm	
⑧	0.9 Tube Hytrel Color:Blue	565mm	
⑦	Heat Shrink Tubing	170mm	
⑥	Fanout Heat Shrink Tubing	1	
⑤	FIBER OPTICAL CABLE G657.A2 2C 250um Blue Red with KEVLAR Jacket LSZH OD: 2.2mm Color:White Printing: FIBER OPTICAL CABLE 2FO SM 9/125um G657.A2 LSZH HT CPR Eca MM/YYYY XXXXm	Xm	
④	LC White Dust Cap	2	
③	LC/APC 8° Ferrule	2	
②	LC SM 0.9 Green Connector	2	
①	LC 0.9mm Green Boot	2	

NO		SPECIFICATION STANDARD	QT'Y	REMARK	SYNERGY 21					
		Cancel Ring (1) (2)			2021-06-07	A2	CUSTOMER		ITEM NO.	see the chart
		Add cable specification			2020-03-02	A1	PRODUCT NAME	2 cores LC/APC 8° fiber cable	Manufacture country	CHINA UNIT mm
		NEW			2019-04-24	A	DRAWNBY	CHECKBY	APPOBY	DATE
BY	CHK	REVISION RECORD MODIFICATIONS			DATE	REV.	SYNERGY 21	SYNERGY 21		2019-04-24



Note:

Tolerance :  $\pm 2\text{mm}$

ABS+PC material, White

Accessory:

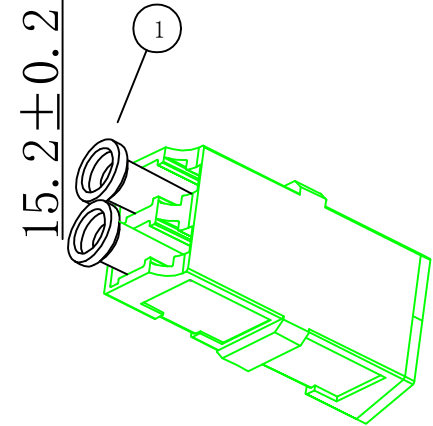
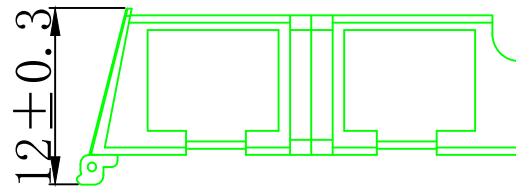
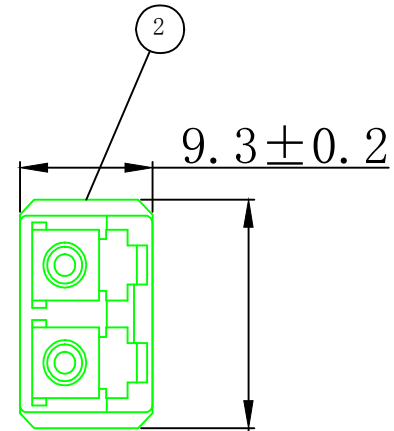
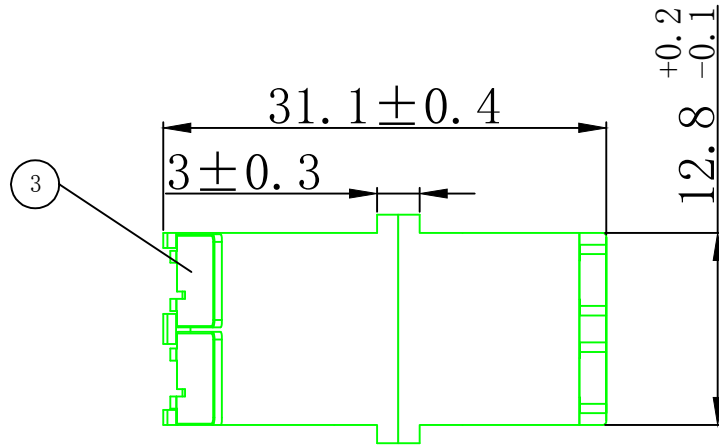
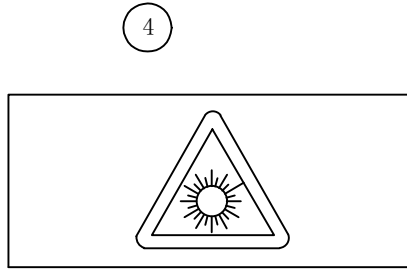
Screw ST4.0\*25mm sets: 2 sets

Cable Tie 2.2\*80mm x 4 pcs

PACKING: 1PCS/PE BAG

SYNERGY 21									
CUSTOMER			ITEM NO.		See the chart				
PRODUCT NAME			FTTH Box 4 Core		Manufacture country		CHINA	UNIT	mm
BY			DATE		DRAWNBY		CHECKBY		DATE
CHK			2019-04-23		SYNERGY 21		SYNERGY 21		2019-04-23

NEW		
REVISION RECORD MODIFICATIONS		



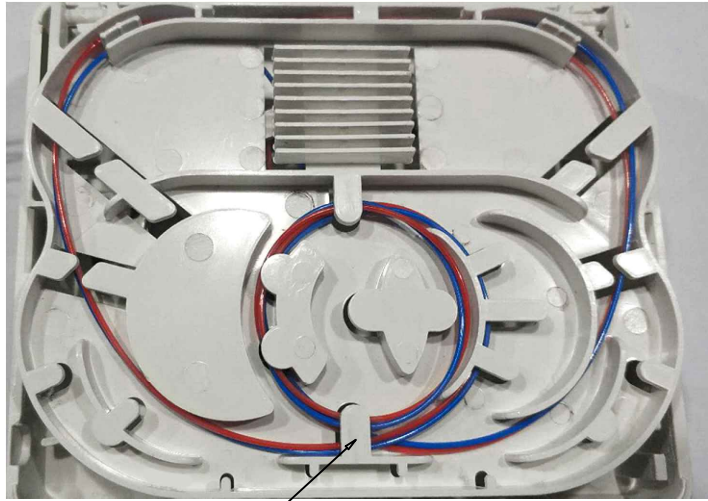
NOTE:  
RoHS 2.0 & Reach COMPLIANT

Typical Insertion Loss(dB)	≤0.12
Insertion Loss(dB)	≤0.20
Operating Temperature( ° C)	-40 ~+80
Storage Temperature( ° C)	-40 ~+85

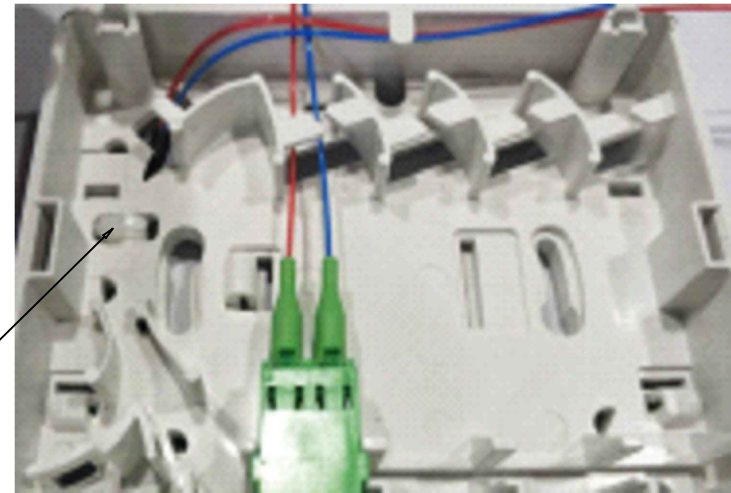
**MATERIAL LIST:**

④	Note that the laser label (Red Blue)	2pcs	
③	White Dust Cap	2pcs	
②	LC Green Housing (SC simplex footprint)	1pcs	
①	LC White Dust Cap	2pcs	
NO.	SPECIFICATION STANDARD	QT' Y	REMARK

<b>SYNERGY 21</b>					
CUSTOMER		ITEM NO.	See the chart		
PRODUCT NAME	LC/APC Green (Ceramic) Duplex Adapter(With External Laser Protection Shutter) w/o flange	Manufacture country	CHINA	UNIT	mm
DATE	2019-04-23	REV.	A	DRAWNBY	CHECKBY
BY	CHK	REVISION RECORD MODIFICATIONS	DATE	SYNERGY 21	SYNERGY 21
				APPOBY	DATE
					2019-04-23



Two laps



Cable tie

Red Blue

Adapter label



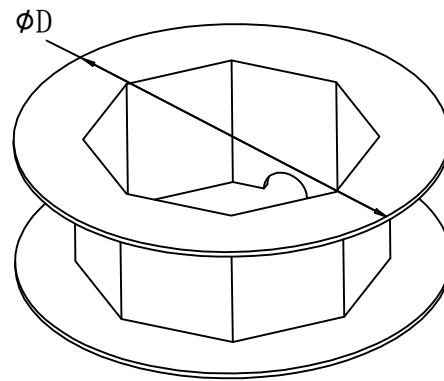
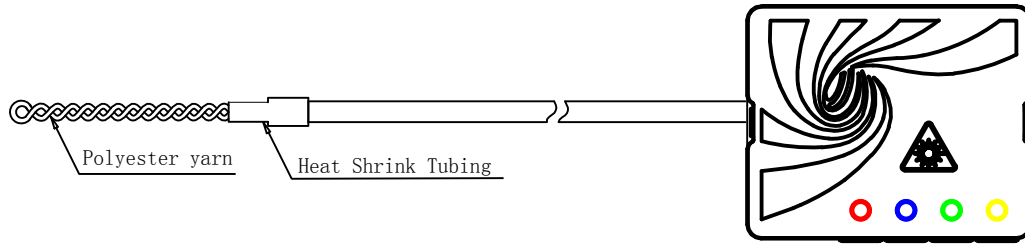
Cable tie

Transparent tube 135mm

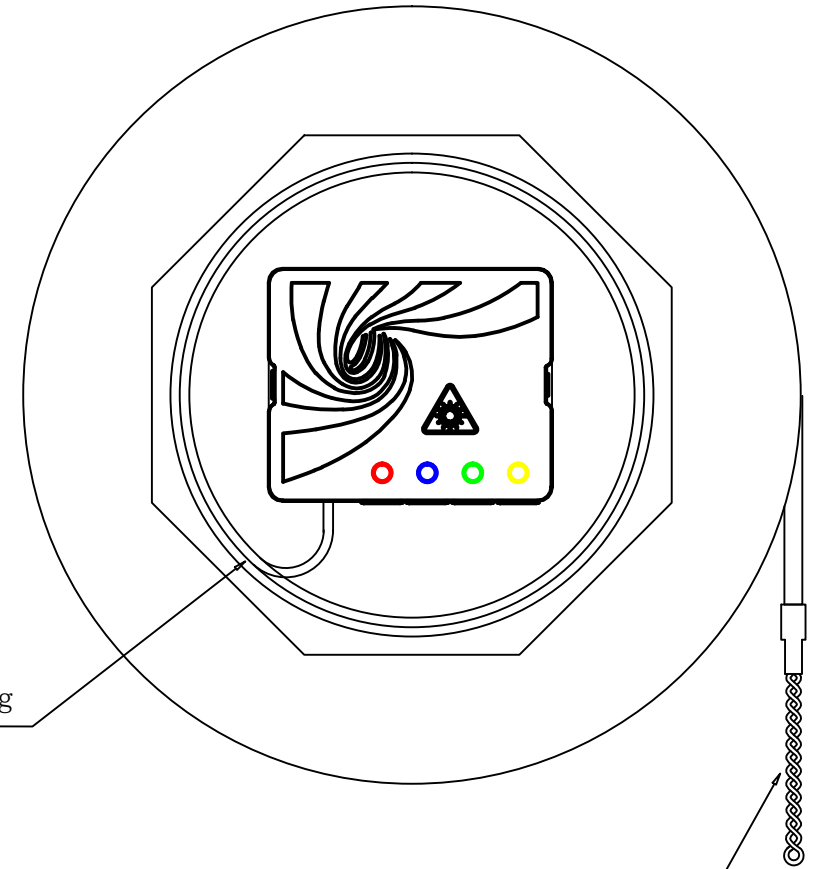
Cable tie

										SYNERGY 21				
						CUSTOMER				ITEM NO.		see the chart		
						PRODUCT NAME		Assemble		Manufacture country		CHINA	UNIT	mm
		NEW		2019-04-24		A		DRAWNBY		CHECKBY		APPOBY		DATE
BY	CHK	REVISION RECORD MODIFICATIONS			DATE	REV.	SYNERGY 21	SYNERGY 21			2019-04-24			

# End-product drawing

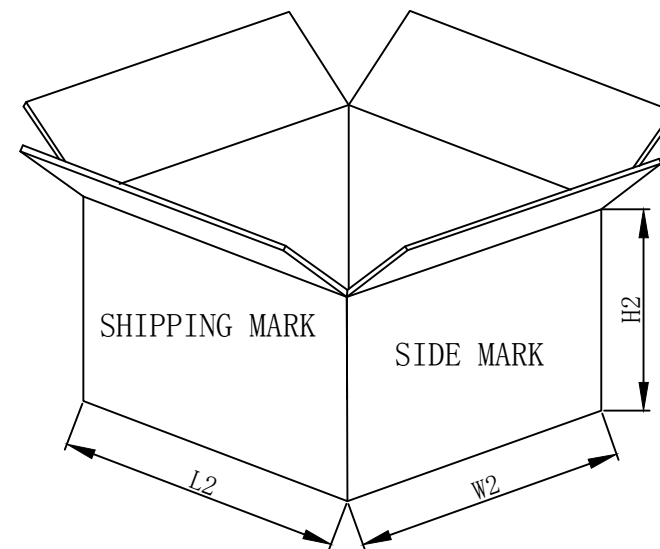
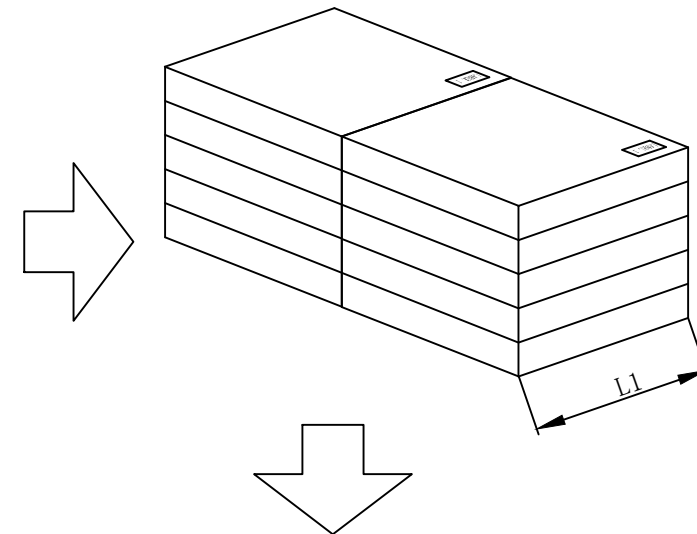
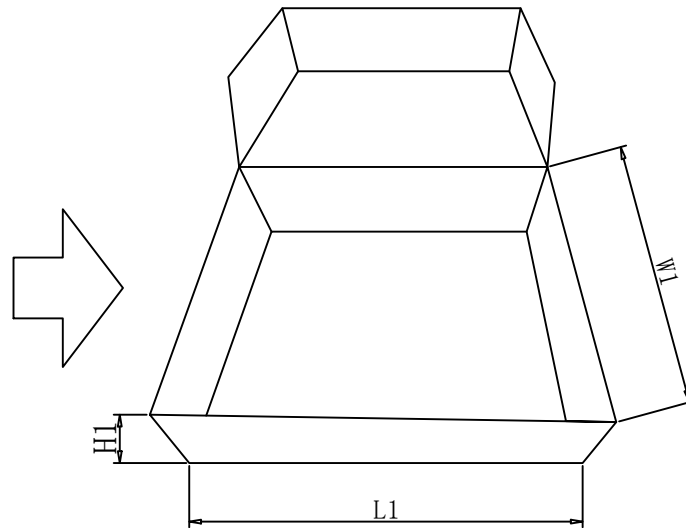
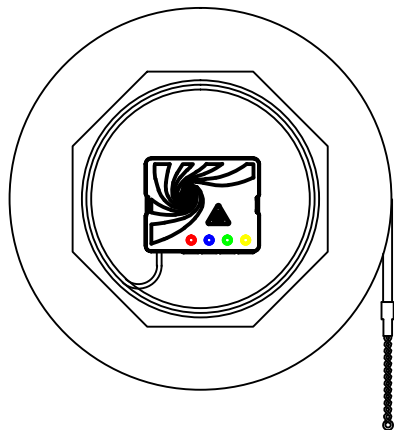


Paper shaft



1pcs/Paper shaft + Test report + Accessory

										SYNERGY 21		
					CUSTOMER				ITEM NO.	See the chart		
					PRODUCT NAME	Assemble			Manufacture country	CHINA	UNIT	mm
NEW					2019-04-24	A	DRAWNBY	CHECKBY	APPOBY	DATE		
BY	CHK	REVISION RECORD MODIFICATIONS			DATE	REV.	SYNERGY 21	SYNERGY 21			2019-04-24	



ITEM NO.	LENGTH	FIBER	Color
S215571. 20m	20M	G657. A2	White
S215571. 40m	40M	G657. A2	White
S215571. 60m	60M	G657. A2	White

Packing: 1pcs/Inner box 10pcs/Big carton

SYNERGY 21									
					CUSTOMER		ITEM NO.	see the chart	
					PRODUCT NAME	PACKING	Manufacture country	CHINA	UNIT mm
			NEW	2019-04-24	A	DRAWNBY	CHECKBY	APPOBY	DATE
BY	CHK		REVISION RECORD MODIFICATIONS	DATE	REV.	SYNERGY 21	SYNERGY 21		2019-04-24