

SYNERGY 21[®]

- NOTE:
- PANEL FRAME:SPCC T=1.5MM with plastic powder cladding Frosting surface treatment
 - Mounting plate Nickel Plating T=1.5MM
 - PANEL BRACKET SPCC T=1.5MM with plastic powder cladding Frosting surface treatment
 - BODY COLOR: Gray "1 2 3.....24" Color: black Font : Arial H:4.4MM
 BODY COLOR: Black "1 2 3.....12" Color: white Font : Arial H:4.4MM Color: white
 - Accessory:
 - Cable Tie (75X1.9mm) *24pcs
 - Screw and Nut M6*18mm × 4set
 - RoHS 3.0 and REACH Compliant
 - Packing:1pc/PE bag+Inner box 10pcs/outcarton

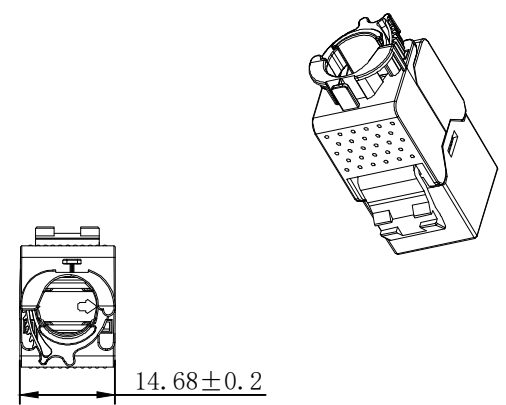
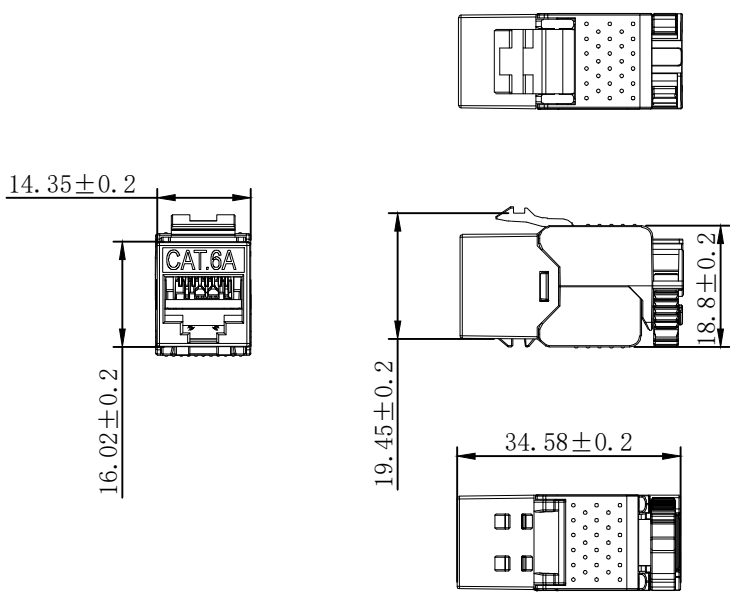
PANEL COLOUR GRAY: "SYNERGY 2 " for black printing The pantone of Color is black C
 "1" for blue printing The pantone of Color is 298C

PANEL COLOUR BLACK: "SYNERGY 2 " for silver printing The pantone of Color is 877C
 "1" for blue printing The pantone of Color is 298C

ITEM NO.	Colour
S216336V2	Gray RAL 7035
S216337V2	Black RAL 9005

SYNERGY 21

CUSTOMER		ITEM NO.	
PRODUCT NAME	19" 1U 24 ports STP blank Patch panel Three-piece type	MANUFACTURE COUNTRY:	CHINA UNIT MM
NEW	2020-02-21	A	DATE
BY	CHK	REVISION RECORD MODIFICATIONS	DATE
SYNERGY 21	SYNERGY 21	SYNERGY 21	2020-02-21



NOTES:

ELECTRICAL:

- Contact Resistance : $20M\Omega$ MAX
- Insulation Resistance : $500M\Omega$ MIN @ 500V DC
- Withstand Voltage : DC 1000V AC 700V RMS 60Hz, 1MIN
- Compliance with Class EA up to 500 MHz to ISO/IEC 11801 Ed.2.2:2011-06
DIN EN 50173-1:2011-09
TIA/EIA-568-C.2 (2009-08)
IEC 60603-7 Ed.1 (12/2008)

ENVIRONMENTAL:

- Storage temperature : -40° TO $+70^{\circ}$
- Operation temperature : -10° to $+60^{\circ}$

MECHANICAL

- SHIELD MATERIAL: ZINC ALLOY
 - IDC MATERIAL: PC TERMINAL:PHOSPHOR BRONZE, TIN PLATING
 - RJ45 Contact Life: 750 Times Min
 - Plug inforce: $<30N$
 - Solid cable: $1/22AWG(0.65MM)-1/26AWG(0.40MM)$ ID: $1.05MM-1.5MM$
 - Cable OD: 5.0mm-8.0mm
 - PoE per IEEE 802.3af, PoE+ per IEEE 802.3at
 - 360° Shield connection
- Packing: 1pc/PE bag+lable
(copper foil included)
RoHS 3.0 and REACH Compliant

MATERIAL LIST:

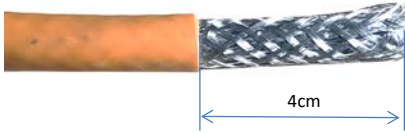
⑦	IDC TERMINAL	FOR 22-26AWG (0.45mm-0.65mm) CABLE	1	
⑥	LABEL COLOR CODE	T568A/B	2	
⑤	IDC PIN	PHOSPHOR BRONZE & TINNED	8	
④	IDC BODY	FIREPROOF/PC UL 94V0	1	
③	PCB	1.2mm UL 94V0	1	
②	RJ 45 JACK INSERT	PHOSPHOR BRONZE 8P8C GOLD PLATED	8	
①	MODULAR COVER	ZINC ALLOY	1	
NO.	PARTS NAME	SPECIFICATION DESCRIPTION	QT'Y	REMARK
		NEW	2022-12-06	A
BY	CHK	REVISION RECORD MODIFICATIONS	DATE	REV.

SYNERGY21

CUSTOMER		ITEM NO.	S216382		
PRODUCT NAME	Super slim Cat.6A/Class EA Keystone Jack	manufacture country:	CHINA	UNIT	MM
DRAWNBY	CHECKBY	APPOBY	DATE		
SYNERGY21	SYNERGY21	SYNERGY21	2022-12-06		

Installationsanleitung/Installation guide

Keystone Jack



①.Stripping 4cm of sheath.



②.foldback braided and drained wire.



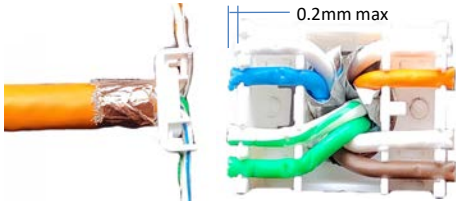
③.paste copper foil on the braided and ground wire and cut off the excess weave and the ground wire



④.4.Fan out all four twisted pairs, allocate each by following colorcoding label



⑤.Across the holde by the color marks of T568A or T568B



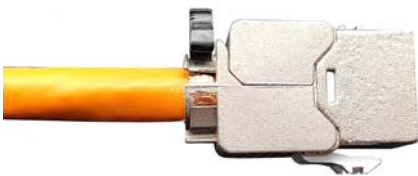
⑥. allocate each conductor into proper slots on wiring cap by following color coding



⑦.Trim the theends of conductors.



⑧.install the termination cap in direction of arrow into the keystone jack



⑨.press both covers of the keystone jack to contact the cable



⑩.Fasten smart cable ties for 360 degree shielding