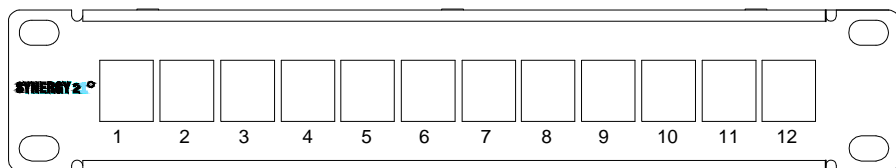


NOTE:

1. PANEL FRAME:SPCC CARBON STEEL T=1.2MM POWDER COATING
2. PANEL bracket SPCC NICKEL PLATING
3. BODY COLOR: GREY RAL7035
4. RoHS Compliant
5. Apply to the keystone jack which the width less than 17.4mm
6. "1 2 3.....24" Color: black Font : Arial H:3.35MM
7. Accessory:
 1. Cable Tie (140×3.0mm) × 12Pcs
 2. Screw and Nut M6*18mm × 4set

SYNERGY 21

						CUSTOMER		ITEM NO.	S216332	
		UPDATE PACKING TYPE	2018-03-20	A1	PRODUCT NAME	12port BLANK PATCH PANEL 10" GREY	manufacture country:	CHINA	UNIT	MM
		NEW	2014-12-03	A	DRAWNBY	CHECKBY	APPOBY	DATE		
BY	CHK	REVISION RECORD MODIFICATIONS	DATE	REV.	SYNERGY 21	SYNERGY 21	SYNERGY 21	2018-03-20		



LABEL 1

SHIPPING MARK

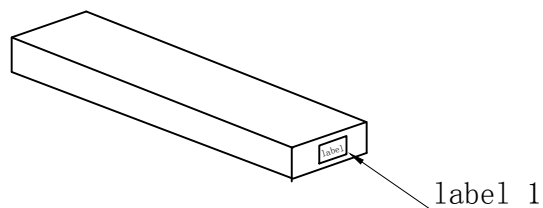


PO NO. :
REACH and ROHS 2.0 Compliant
MADE IN CHINA

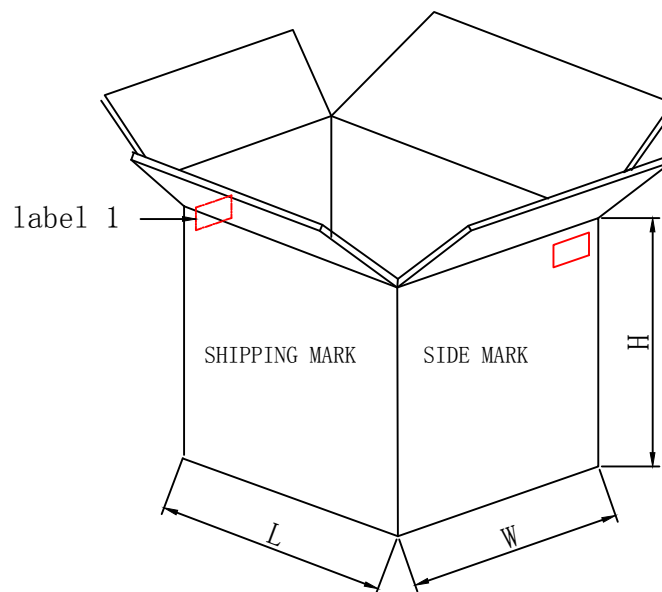
SIDE MARK

PO NO. :
Item no:
Q' TY:
N. W
G. W
Carton no.
MEAS.

"SYNERGY 2 ⑩" for black printing The pantone of Color is black c
"1" for blue printing The pantone of Color is 298C



1pcs/box+Label

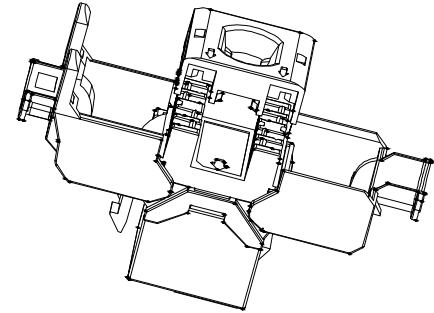
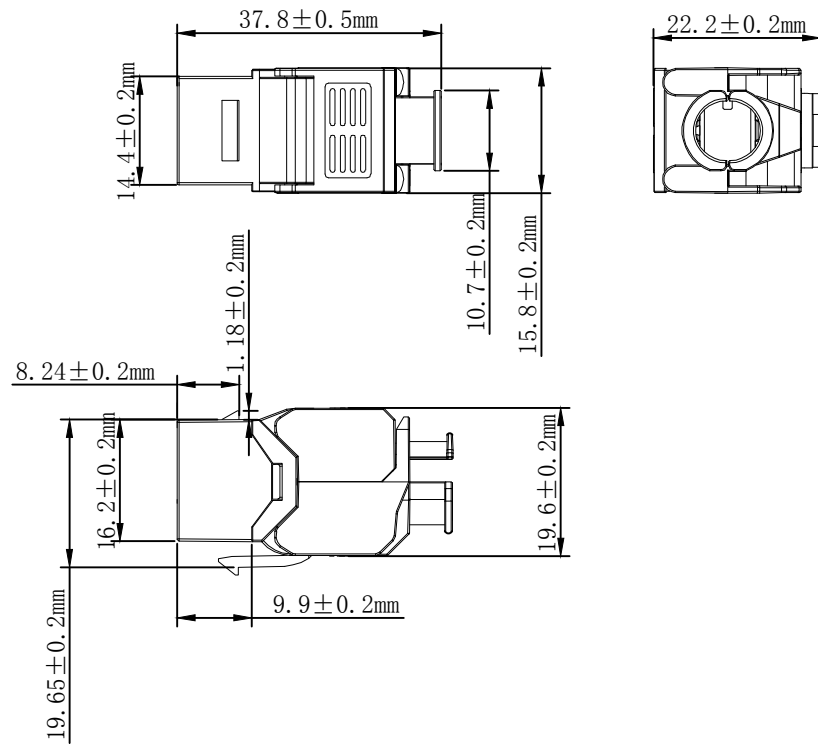
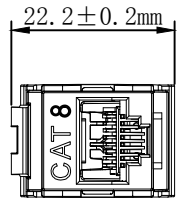


20pcs/Carton+Label 1

NOTE:

1. 1pcs/box+Label 1, 20pcs/Carton+Label 1
2. "工" type sealing
3. "井" type packaging

SYNERGY 21											
CUSTOMER					ITEM NO.		S216332				
UPDATE PACKING TYPE				2018-03-20	A1	PRODUCT NAME	Packing	manufacture country:	CHINA	UNIT	MM
NEW				2014-12-03	A	DRAWNBY	CHECKBY	APPOBY	DATE		
BY	CHK	REVISION RECORD MODIFICATIONS			DATE	REV.	SYNERGY 21	SYNERGY 21	2018-03-20		



MATERIAL LIST:

⑦	Housing	Zinc alloy Silver	1	
⑥	RJ 45 JACK INSERT	PHOSPHOR BRONZE 8P8C GOLD PLATED	8	
⑤	PCB	FR-4 1.6mm	1	
④	IDC BODY	White PC	1	
③	IDC PIN	PHOSPHOR BRONZE & TINNED	8	
②	LABEL COLOR CODE	T568A/B	2	
①	IDC TERMINAL	FOR 22-26AWG CABLE	1	

NO	PARTS NAME	SPECIFICATION STANDARD	QT' Y	REMARK
		NEW	2020-09-01	A
BY	CHK	REVISION RECORD MODIFICATIONS	DATE	REV.

NOTES:

ELECTRICAL:

- Contact Resistance : 20MΩ MAX
- Insulation Resistance : 500MΩ MIN @ 500V DC
- Withstand Voltage : DC 1000V AC 700V RMS 60Hz, 1MIN
- Compliance with Class I up to 2000 MHz to ISO/IEC 11801-1:2017 (Ed. 1.0)

ENVIRONMENTAL:

- Storage Temperature : -40°C ~ +70°C
- Operation Temperature : -10°C ~ +60°C

MECHANICAL

- MATERIAL: Zinc alloy
- IDC MATERIAL: PC TERMINAL:PHOSPHOR BRONZE, TIN PLATING
- RJ45 Contact Life: 750 Times Min
- Plug inforce:<30N
- Solid cable:1/22AWG (0.65MM)-1/26AWG (0.4MM) ID:1.1MM-1.6MM
- Stranded cable:22/7-26/7AWG ID:1.1MM-1.6MM
- Cable OD: 5.0mm-8.5mm
- PoE per IEEE 802.3af, PoE+ per IEEE 802.3at,PoE++ per IEEE 802.3bt
- RoHS 2.0 and REACH Compliant
- with copper foil in packing.

SYNERGY 21							
CUSTOMER	ALLNET Computersysteme GmbH	ITEM NO.	S216378				
PRODUCT NAME	CAT 8.1 STP KEYSTONE JACK	manufacture country:	china	UNIT	MM		
DRAWNBY	CHECKBY	APPOBY	DATE				
SYNERGY 21	SYNERGY 21	SYNERGY 21	2020-09-01				