

NEW Infrared Fixed-Focal Lens $f=2.2$ mm IR (DC Iris)

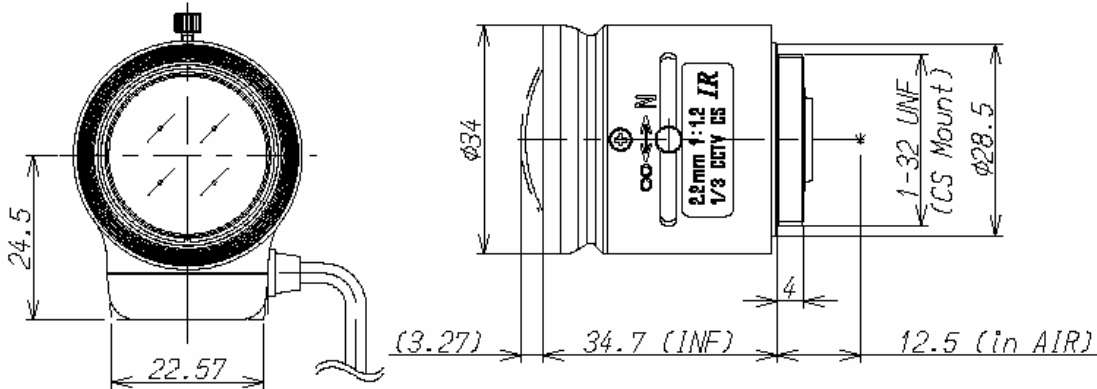
P/N	13FG22IR	
CCD size	1/3"	
Mount	CS mount	
Focal length	2.2mm	
Aperture range	1.2 - 360	
Angle of View (horizontal x vertical)	1/3"	119 X 90
	1/4"	90 X 68
Focusing range	0.1m-infinity	
Overall Length	34.7 mm	
Operation	Focus	Manual (w/lock)
	Iris	Auto Iris DC
Back focus (in air)	7.58mm	
Operating voltage	Open 4.0V , Close 0.5V	
Weight	41g	
Operating Temperature	-20 +60C	

Pointing Out Features

1. Zero focus shift between day time and Infrared performance (Operates in both visible and infrared light)
2. Ultra Wide Angle $f=2.2$ mm.
3. Very Fast F no. which is F/1.2.
4. Environmental Conscious Design (Consistent with RoHS Directive)

From Visible to Infrared Light

Drawing



13FG22IR