

MATERIAL LIST:

⑧	PE BAG	SYNERGY 21 SLIP PE BAG	1	
⑦	LABEL	NO DRY GLUE LABEL	1	
⑥	MINI TIE	Black	2	
⑤	OUTER MOLD	Color For BLACK	3	
④	USB BM TYPE	USB B /M Type, The Pin Gold Plating, the shell for NICKEL PLATED	1	
③	USB AM TYPE	USB A /M Type, The Pin Gold Plating, the shell for NICKEL PLATED	2	
②	CABLE (2)	USB 28AWG 7/0. 12BC*2C JACKET: PVC/BLACK OD: 3.0mm L: 200MM	1	
①	CABLE (1)	USB 28AWG (7/0. 12BC*1P)+28AWG(7/0. 12BC*2C)+AB B=0. 12mm/3*16 AL-MG JACKET: PVC/BLACK OD: 3. 8mm	1	
NO.			QTY	REMARK

NOTE:

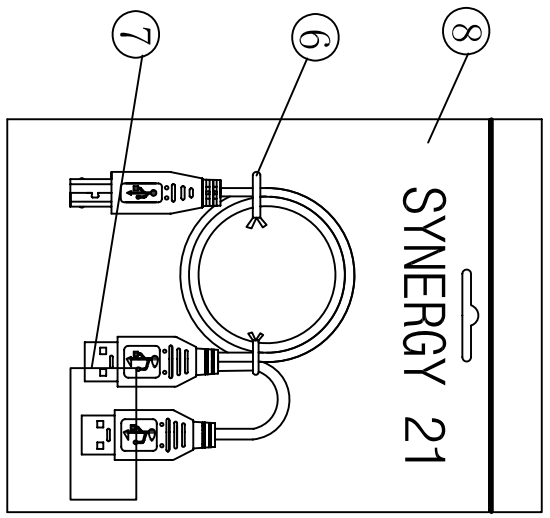
1. Electrical test:
 - (1). 100% open short & miss wire test;
 - (2). Insulation resistance: DC 300V 10MΩ;
 - (3). Contactor resistance: 3Ω Max;
 - (4). Dielectric strength: 100V AC/Minute, 1mA.
2. RoHS compliant
3. PRINTING: A/M STYLE 2725 80°C 30V VW-1 28AWG×1P 28AWG×2C
4. PACKING: SYNERGY 21 PE BAG+LABEL

SYNERGY 21

BY	CHK	REVISION RECORD MODIFICATIONS	DATE	REV.	CUSTOMER	REF.	ITEM NO.	See The Chart	
					PRODUCT NAME	USB A/M TO USB A/M B/M	manufacture country:	CHINA	UNIT
		NEW	2010-12-06	A	DRAWNBY	CHECKBY	APPROVE	DATE	
					SYNERGY 21	SYNERGY 21	SYNERGY 21	2010-12-06	

Chart:

COLOR: BLACK			
ITEM	LENGTH	EAN CODE	PACKING
S215325	1000 ± 30MM	4038816224736	SYNERGY 21 A Bag



SYNERGY 21									
CUSTOMER		REF.		ITEM NO.		See The Chart			
PRODUCT NAME		USB A/M TO USB A/M B/M		manufacture country:		CHINA		UNIT/ MM	
DRAWNBY		CHECKBY		APPOBY		DATE			
SYNERGY 21		SYNERGY 21		SYNERGY 21		2010-12-06			
BY		CHK		REVISION RECORD MODIFICATIONS		DATE		REV.	
				NEW		2010-12-06		A	