

ALLNET Touch Display Tablet 14 Zoll zbh. Wandmontage Rahmen



EAN CODE



Suitable mounting frame for 14 inch tablet . Single frame for installation in walls, tables, furniture, etc..

Flange resting. Tablet protrudes approx. 2mm from the frame. This frame is especially suitable for our cover panels.

Dimensions:

392mm x 263mm x 35mm including flange of 18mm.

Cutout:

357mm x 232 (+2mm on each side to ensure air circulation).

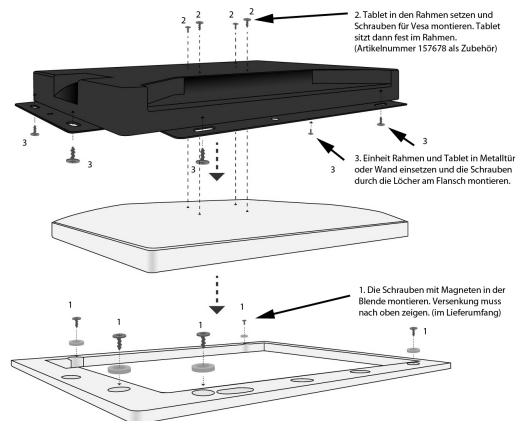
Depth should be at least 40-50mm.

Attributes

Attribute	Value
Einsatzbereiche:	indoor
Farbe Gehäuse:	schwarz
Montageart:	Vesa 75x75;Unterputz;Aufputz;

Attribute	Value
Weight:	1.5 Kg

Additional Images



Accessories

Part No.	Name
198301	VESA Standfuß Halterung höhenverstellbar für Tablet, Display



Part No.: 195008
Vendor Part No.: ALL-WCOVMount14v1

Part No.	Name
198302	VESA Standfuß Halterung höhenverstellbar für Tablet, Display
104257	VESA Wandhalterung Flepo - omicron-1 für Tablet, Monitore
104258	VESA Wandhalterung Flepo - omicron-2 für Tablet, Monitore
146334	VESA wall mount for tablet, monitors very flat with securing
149144	VESA Adapterplatte Mini-PC an VESA Monitor-Halterung
161472	VESA Desktop Standfuß Halterung Flex für Tablet, Display, Mo
174452	VESA desktop stand mount Flex for tablet