

ALLNET ALL4781-VDSL2-SFP / Switch Modul (Mini-GBIC), VDSL2



EAN CODE



Highlights:

- Support all VDSL2 standards defined in ITU-T G.993.2, G.994.1, G.997.1.
- MSA compliant hot pluggable electrical interface / SFP-Slot
- Support G.inp (G.998.4) and G.vector (G.993.5)

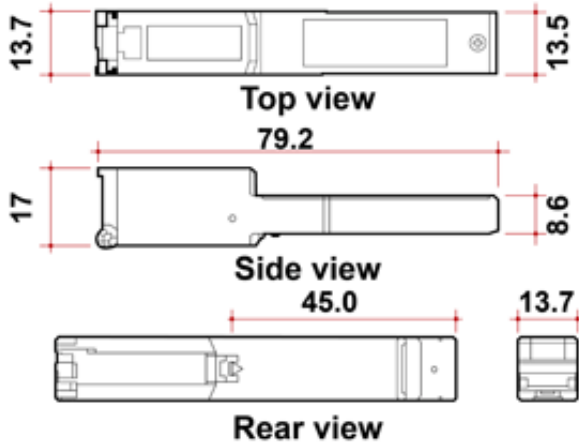
ALLNET ALL4781-VDSL2-SFP is a VDSL2 SFP modem that interconnects with Gateway Processor by using a MSA (MultiSource Agreement) compliant hot pluggable electrical interface. The DSL chipset inside the VDSL2 SFP modem supports all VDSL2 profiles that defined by ITU-T G.993.2, and VDSL. Compliancy with G.994.1 and G.997.1 standards, ensures its interoperability with all existing broadband network services. Furthermore, **ALLNET ALL4781-VDSL2-SFP** also features the latest ITU standards such as G.inp (G.998.4) and G.vector (G.993.5).

As broadband access technology has evolved rapidly, Service Providers need to upgrade their broadband network service every few years. Traditionally, Service Providers have replaced the entire CPE device in order to provide subscribers with faster Internet services. Not only does it increase their CAPEX and OPEX but also wastes resources and increase inventories. Leveraging **ALLNET ALL4781-VDSL2-SFP** VDSL2 SFP series in Service Providers' product portfolio will help them significantly reduced the software porting and testing effort and shorten their product time-to-market.

ALLNET ALL4781-VDSL2-SFP VDSL2 SFP modem realizes the modulation of VDSL2 broadband access. It can be integrated with routers, switches or residential gateways that are equipped with a SFP type of WAN interface. There's no more need for Service Providers to maintain more than one type of CPE device in the field or in the warehouse, moreover, this also can give them the possibility to future upgrade. Users can upgrade to any broadband access data rate easily only by plugging in different type of WAN SFPs into the same internet box.

MECHANICAL DIMENSIONS

(Units in mm)



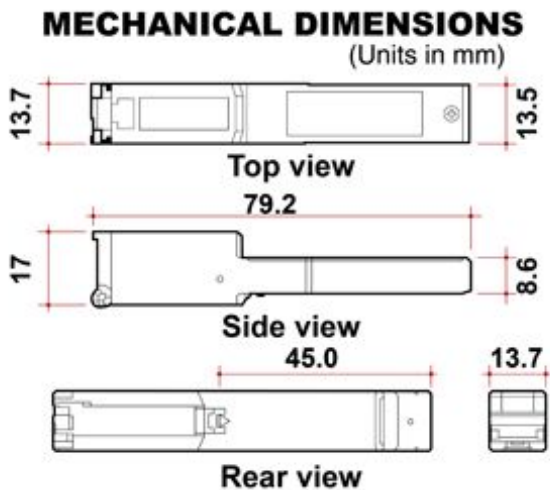
Technical Details:

Hardware		RJ-45 female connector (Fully compatible with RJ-11 male connector)
		SERDES connect to host
		LED 1 (CO/ CPE indicator)
		LED 2 (PWR/ Link Status indicator)
Software		Self Boot & Managed by Internal Flash
		Linux driver for managed devices
Power Requirement		3.3v , 700mA
Environment	Operating Temperature	-20 ~ +75°C
	Storage Temperature	-40 ~ +85°C
	Operating Humidity	5% to 90%
		(non-condensed)
	Storage Humidity	5% to 95%
		(non-condensed)
	ESD Standards	Contact: +/-4KV Air: +/-8KV (EN 61000-4-2)
	Radiated RFI Standards	Strength:10V/m (EN 61000-4-3)
EFT/BURST Standards	Power:2KV Signal:1KV (EN 61000-4-4)	
Surge Immunity Standards	Power:2KV Signal:1KV (EN 61000-4-5)	

Marks

CE / FCC

Additional Images



Accessories

Part No.	Name
134035	ALLNET ALL-MCI2011P-60W / Mediacon. 1G TX PoE AT -> 1G SFP
102460	ALLNET ALL-MC104G-SFP1 / Mediaconv. 1000BaseT - 1000 SFP
124821	ALLNET ALL-MC202P-SFP1 / Mediaconv. 1000BaseT PoE - 1000 SFP
134037	ALLNET ALL-SWI8142BP / 4 Port PoE + 2 SFP Gigabit Switch PB
134063	ALLNET ALL-SWI8142P-60W / 4 Port PoE 60W + 2 SFP Gigabit unm
126780	ALLNET ALL-SGI8206P / Unmanaged Industrial Switch 4 Port HPo
139360	ALLNET ALL-SGI8210PM / Smart managed Indu Switch 8x PoE/4SFP
193997	ALLNET Switch smart managed 8 port Gigabit 130W / 8x PoE+ /
137466	ALLNET ALL-SG8910PM / full managed Layer2+ 10 Port Giga PoE+
127210	ALLNET ALL-SG8420M / 16 Port Gigabit + 4x SFP Switch
133577	ALLNET ALL-SG8318PM / 16 Port Gigabit PoE Kupfer + 2x SFP
137467	ALLNET ALL-SG8918PM / full managed Layer2+ 16 Port Giga PoE+
127211	ALLNET ALL-SG8428M / 24 Port Gigabit + 4x SFP Switch fanless



Part No.: 141114
Vendor Part No.: ALL4781-VDSL2-SFP

Part No.	Name
183826	ALLNET Switch smart managed 24 Port Gigabit 460W / 24x PoE+
194025	ALLNET Switch smart managed 24 Port Gigabit 390W / 24x PoE+ / 4x SFP / 19" / "ALL-SG8626PM"
130253	ALLNET ALL-SG8452M / 48 Port Gigabit TX + 4x SFP managed sw
112082	ALLNET ALL-SG8826PMX-10G / full managed 24 Port Gigabit/2x S
112203	ALLNET ALL-SG8826MX-10G / full managed 24 Port Gigabit/2xSFP
122263	ALLNET ALL-SG8950M / full managed Layer2+ 48 Port Gigabit +