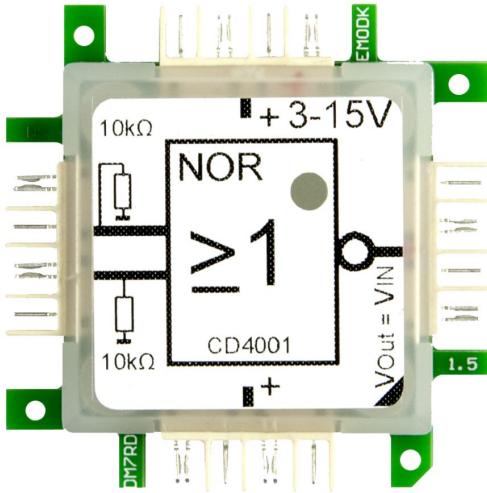


ALLNET Brick'R'knowledge Logic NOR CD4001



EAN CODE



Logic NOR brick (OR with negated output) based on 1/4 of the CMOS ICs CD4001. Voltage supply: 9V

Accessories

Part No.	Name
118627	ALLNET Brick'r'Knowledge 9V power supply 1A with protection