

ALLNET PoE Injektor Outdoor IEEE802.3bt (15,4W/30W/60W)



EAN CODE



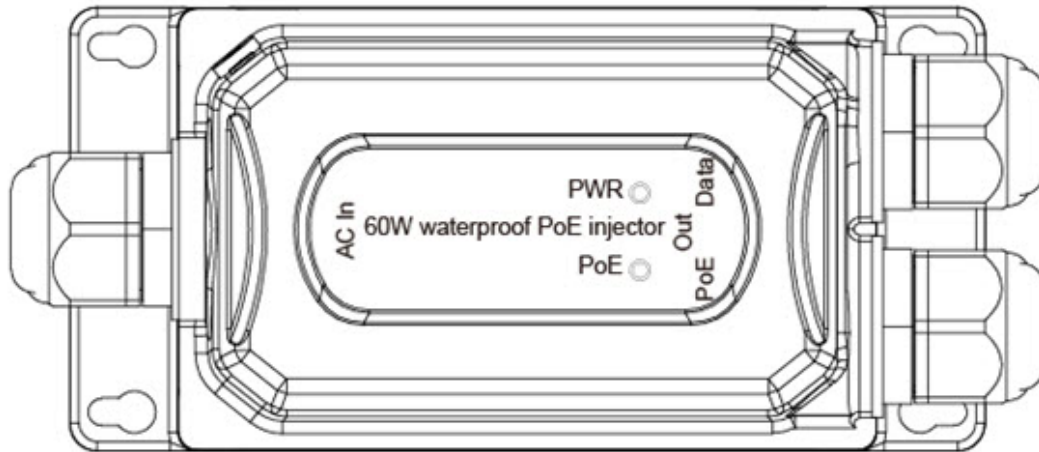
Highlights:

- 60 Watt PoE IP67 Outdoor Injector according to IEEE802.3bt Standard
- **IP67 weatherproof & IK10 shockproof for robust outdoor installations**
- 1x 10/100/1000M TX PoE output according to IEEE802.3af/at/bt 60W
- 1x AC 100~240V input voltage on 2PIN terminal (AC connection cable must be installed by customer, thus flexible in installation)
- Extended operating temperature: -20°C to +60°C

This product is a waterproof Gigabit Power over Ethernet (PoE) device for powering most common IP end devices. The injector is fully compliant with the IEEE 802.3af/at/bt standard. The device also complies with the IP67 protection class, which means it is weatherproof and can be used outdoors without any problems. Thanks to the IK10 standard, the injector is vibration-resistant, which ensures reliable and safe use, even in industrial environments. It transmits the required electrical energy and implements the data exchange via an RJ45 cable with a maximum transmission distance of 100 metres. The injector automatically detects which PoE standard is present at the end device on the output side and regulates the voltage automatically. The injector can supply a PoE end device at the output with a maximum power of 60W according to the IEEE802.3BT standard.

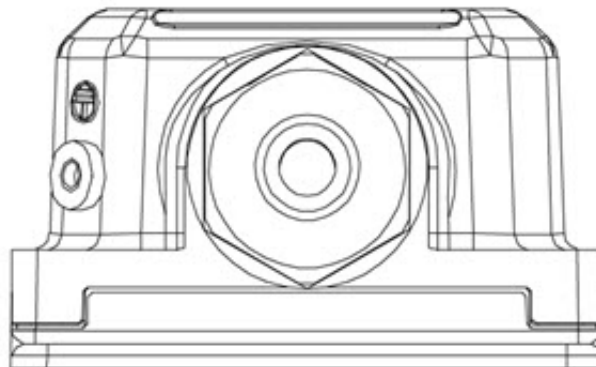
Front Panel

The front panel composed by PSE output ports with data link port, AC Input port, the relevant indicator, as shown below:



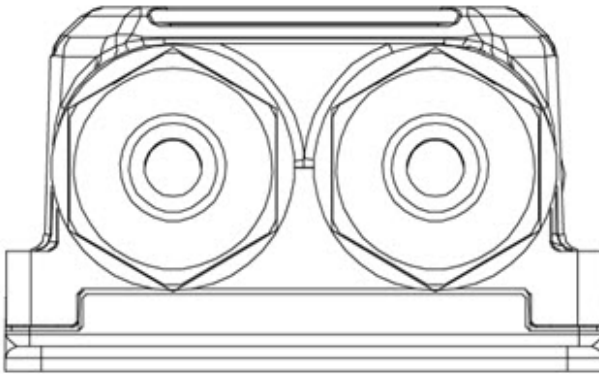
Left Panel

Schematic diagram of left panel: input port (AC In) and grounding column, Standard network Cate5 cable (line diameter 5.5mm).



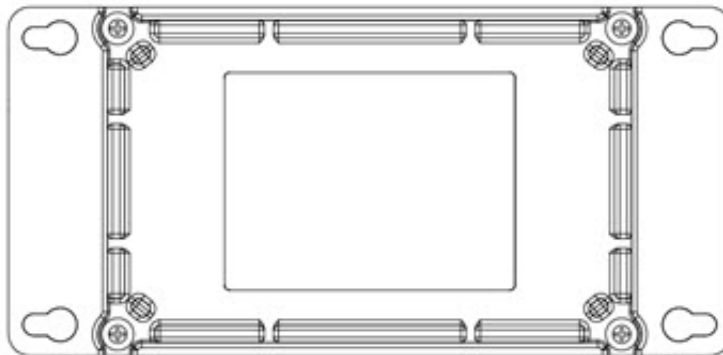
Right Panel

Schematic diagram of right panel: the output port (PoE out、Data) requires the use of standard network cate5 cable (Line diameter 5.5mm).



Desktop Installation

Install the machine on a desktop, place the machine carefully on the counter, the bottom is as follows:



Technical Details:

Technical Details:

Model:	ALL-PI2013OBT60 - 60W waterproof PoE injector AC to BT 60W
IEEE Standard:	IEEE 802.3 10Base-T Ethernet IEEE 802.3u 100Base-TX Fast Ethernet IEEE 802.3ab 1000Base-T Gigabit Ethernet IEEE802.3af for POE IEEE802.3at for POE+ IEEE802.3bt

Network Media (Cable):	10BASE-T: UTP category 3,4,5 cable (?100m) 100BASE-TX: UTP category 5 cable (?100m) 1000BASE-T: UTP category 5e cable (?100m)
Network Connector:	1xRJ-45 10/100/1000BaseT(X) Data 1xRJ-45 10/100/1000BaseT(X) PSE with POE Output power IEEE802.3bt 60W
Input current:	1,5A Max
Power input:	AC 100-240V 50/60Hz 2 PIN Terminal
PoE Power output:	60W Max. IEEE802.3bt
POE Pin Assignment RJ45:	1/2(-), 3/6(+) and 4/5(+),7/8(-)
Output Voltage:	DC 55V±5%
Output ripple voltage:	?200mV, Test conditions: rated input voltage, full load output, Tested with 20MHz bandwidth oscilloscope, Parallel connected a 0.1uF ceramic capacitor and a 10uF electrolytic capacitor to the output
Output current:	1.1A Max.
LED Indicator:	PWR(Green) , PoE(Bt:Green,UPoE:orange)
Dimension:	150 x 73 x 44mm
Operating Temperature:	-20°C ~ 60°C
Storage Temperature:	-40°C ~ 80°C
Surge Protection:	Difference Mode:±4KV, Common mode:±6KV
MTBF:	<50000 hours
Electrostatic standard:	Contact 6KV, air 8KV
Waterproof grade:	IP67
Anti-hazard classification:	IK10

Attributes

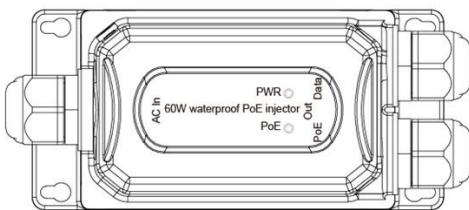
Attribute	Value
Einsatzbereich:	Industrie
Gehäuse:	Metall
Weight:	1 Kg
Warranty:	24 Months

Additional Images



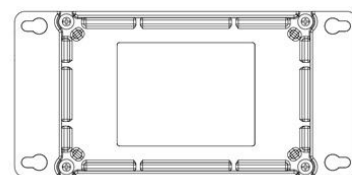
Front Panel

The front panel composed by PSE output ports with data link port, AC Input port, the relevant indicator, as shown below:



Desktop Installation

Install the machine on a desktop, place the machine carefully on the counter, the bottom is as follows:





Part No.: 195544
Vendor Part No.: ALL-PI2013OBT60

Accessories

Part No.	Name
138989	ALLNET ALL-WAP0324N / 300Mbit Outdoor Wireless N 2,4 Ghz AP
144826	ALLNET ALL-WAPC0486AC / 1300 Mbit Wireless Contr. AC IP68AP
153329	ALLNET ALL-WAP0559AC / WIFI AC 867Mbit PtP Long Range IP55 B