

**MATERIAL LIST:**

⑦	PE BAG	SYNERGY 21 SLIP PE BAG	1	
⑥	LABEL	NO DRY GLUE LABEL	1	
⑤	MINI TIE	Black	2	
④	OUTER MOLD	color For BLACK	2	
③	USB B TYPE	USB3.0 B/M 9PIN Solder Type, Blue PBT Insulation, The Gold Plating, the shell for Nickel Plating	1	
②	USB A TYPE	USB3.0 A/M 9PIN Solder Type, Blue PBT Insulation, The Pin Gold Plating, the shell for Nickel Plating	1	
①	CABLE	USB3.0 (T/0.12BC*IP+DRAIN)/0.12BC*(FAM)*2PCS+7/0.12TC*2C+7/0.12TC*1P+AL-F01L+7/0.12TC+128/0.12AL-MG, JACKET: PVC/BLACK 005.0±0.2MM	1	
NO.	PARTS NAME	SPECIFICATION STANDARD	QTY	REMARK

BY	CHK	REVISION RECORD MODIFICATIONS	DATE	REV.
		NEW	2010-12-06	A

**NOTE:**

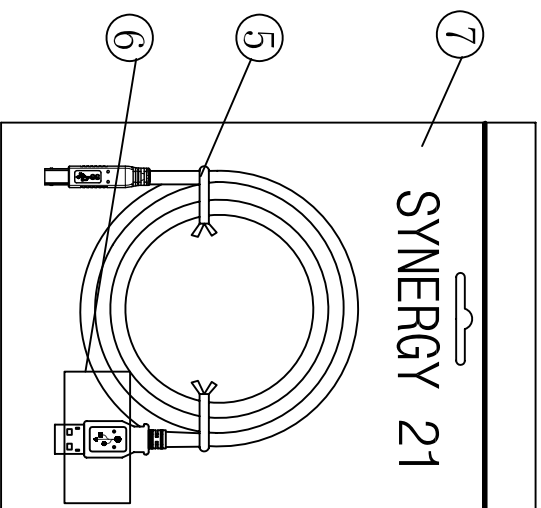
1. Electrical test:
  - (1). 100% open short & miss wire test;
  - (2). Insulation resistance: DC 300V 10MΩ;
  - (3). Contactor resistance: 3Ω Max;
  - (4). Dielectric strength: 100V AC/Minute, 1mA.
2. RoHS compliant
3. PRINTING: USB 3.0 SUPER SPEED CABLE
4. PACKING: SYNERGY 21 PE BAG+LABEL

**SYNERGY 21**

CUSTOMER	REF.	ITEM NO.	See The Chart	
PRODUCT NAME	USB 3.0 AM/BM	manufacture country:	CHINA	UNIT
DRAWNBY	CHECKBY	APPROVE	DATE	MM
SYNERGY 21	SYNERGY 21	SYNERGY 21	2010-12-06	

Chart:

COLOR: BLACK			
ITEM	LENGTH	EAN CODE	PACKING
S215300	1000 ± 30MM	4038816224583	SYNERGY 21 A Bag
S215301	1800 ± 50MM	4038816224590	SYNERGY 21 A Bag
S215302	3000 ± 70MM	4038816224606	SYNERGY 21 A Bag
S215303	5000 ± 70MM	4038816224613	SYNERGY 21 B Bag



SYNERGY 21									
CUSTOMER		REF.		ITEM NO.		See The Chart			
PRODUCT NAME	USB 3.0 AM/BM	manufacture country:	CHINA	UNIT	MM				
DRAWNBY	CHECKBY	APPOBY	DATE						
SYNERGY 21	SYNERGY 21	SYNERGY 21	2010-12-06						
BY	CHK	REVISION RECORD MODIFICATIONS		DATE	REV.				
		NEW	2010-12-06	A					