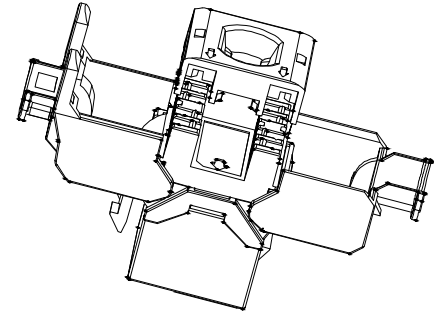
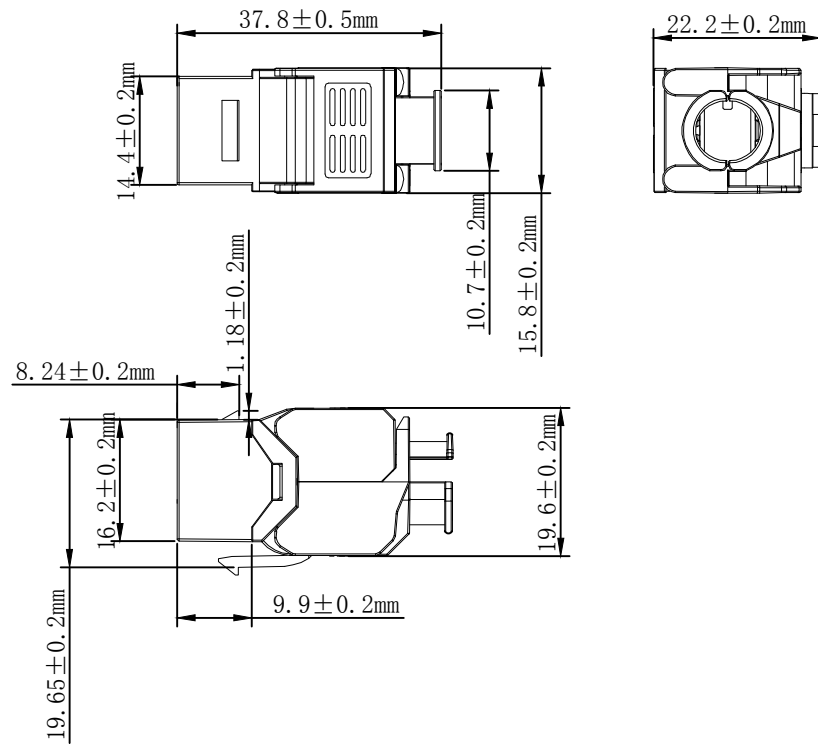
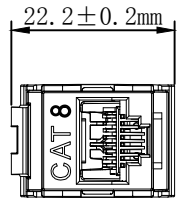


MATERIAL LIST:

- 1. wall box:ABS
- 2. Accessories
cable tie: 2 PCS 2.5*80MM
SCRW: 2PCS ST4*20MM
- 3. Applicable cable diameter:OD 8.2MM Max
- 4. ROHS 2.0 AND REACH COMPLIANT
- 5. Packing:1PC/PE bag+label

SYNERGY 21									
CUSTOMER			ITEM NO.			S216348			
PRODUCT NAME		2 port wall box		manufacture country		CHINA		UNIT	MM
NEW			2018-10-17		A		DRAWNBY		CHECKBY
BY		CHK		REVISION RECORD MODIFICATIONS		DATE		REV.	
						SYNERGY 21		SYNERGY 21	
						SYNERGY 21		2018-10-17	



MATERIAL LIST:

⑦	Housing	Zinc alloy Silver	1	
⑥	RJ 45 JACK INSERT	PHOSPHOR BRONZE 8P8C GOLD PLATED	8	
⑤	PCB	FR-4 1.6mm	1	
④	IDC BODY	White PC	1	
③	IDC PIN	PHOSPHOR BRONZE & TINNED	8	
②	LABEL COLOR CODE	T568A/B	2	
①	IDC TERMINAL	FOR 22-26AWG CABLE	1	

NO	PARTS NAME	SPECIFICATION STANDARD	QT' Y	REMARK
		NEW	2020-09-01	A
BY	CHK	REVISION RECORD MODIFICATIONS	DATE	REV.

NOTES:

ELECTRICAL:

- Contact Resistance : 20MΩ MAX
- Insulation Resistance : 500MΩ MIN @ 500V DC
- Withstand Voltage : DC 1000V AC 700V RMS 60Hz, 1MIN
- Compliance with Class I up to 2000 MHz to ISO/IEC 11801-1:2017 (Ed. 1. 0)

ENVIRONMENTAL:

- Storage Temperature : -40°C ~ +70°C
- Operation Temperature : -10°C ~ +60°C

MECHANICAL

- MATERIAL: Zinc alloy
- IDC MATERIAL: PC TERMINAL:PHOSPHOR BRONZE, TIN PLATING
- RJ45 Contact Life: 750 Times Min
- Plug inforce:<30N
- Solid cable:1/22AWG (0.65MM)-1/26AWG (0.4MM) ID:1.1MM-1.6MM
- Stranded cable:22/7-26/7AWG ID:1.1MM-1.6MM
- Cable OD: 5.0mm-8.5mm
- PoE per IEEE 802.3af, PoE+ per IEEE 802.3at,PoE++ per IEEE 802.3bt
- RoHS 2.0 and REACH Compliant
- with copper foil in packing.

SYNERGY 21							
CUSTOMER	ALLNET Computersysteme GmbH	ITEM NO.	S216378				
PRODUCT NAME	CAT 8.1 STP KEYSTONE JACK	manufacture country:	china	UNIT	MM		
DRAWNBY	CHECKBY	APPOBY	DATE				
SYNERGY 21	SYNERGY 21	SYNERGY 21	2020-09-01				