

P1: M-011

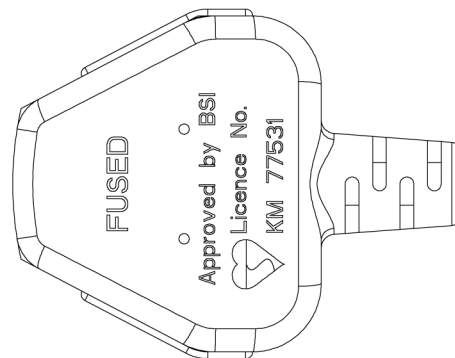
P2: M-005

Customer No:

No.6

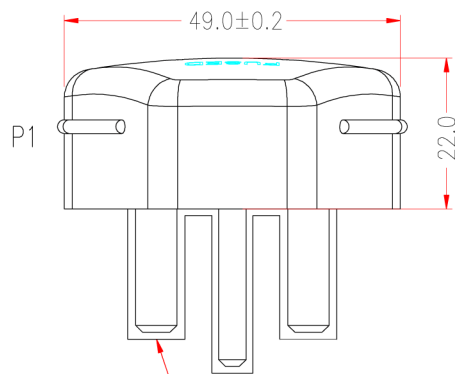
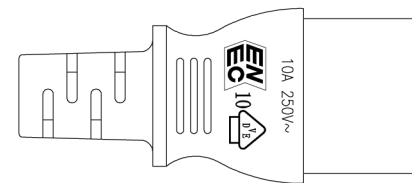
FUSE:

LOGO	FUSE
	5A

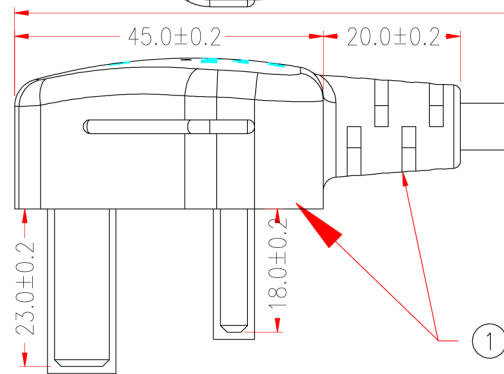


P2:

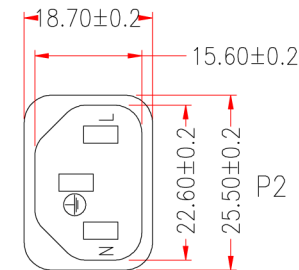
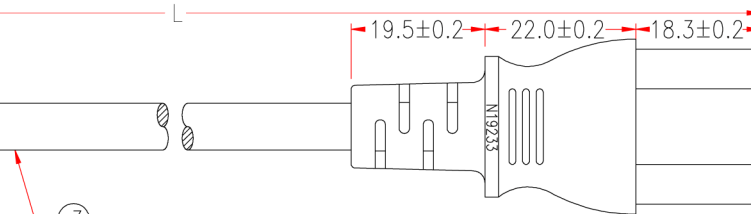
CONNECTOR: 107



WHITE COVER
PLUG: 402



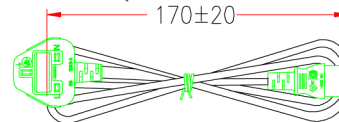
①



P2

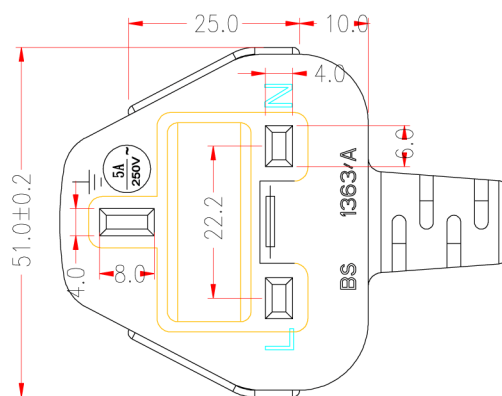
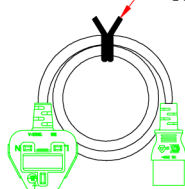
②

PACKING A: ≤3M



ITEM NO.	length (L)
EK500.3	3000mm
EK500.5	5000mm

PACKING B: >3M
CABLE TIE



MARKING:

H05W-F 3G 1.0mm²

P1	P2
L	L BROWN
N	N BLUE
E	E GREEN/YELLOW

NOTE: All relevant materials are complied with RoHS directive .

No.	DESCRIPTION	Q'TY	Supplier
3	H05W-F 3G 1.0mm ² G TSA-3, OD 7.1mm, JACKET BLACK DRAWING No. EPH5V011003C-034	L-20mm	M304
2	MOLDED PVC 45P, COLOR BLACK		M304
	BRACKET: YS-003	1	M767
	TERMINAL: 2x4mm, 98744BS-0/A	3	M257
1	MOLDED PVC 45P, COLOR BLACK		M304
	FUSE LATCH: 88051DBS-2/A	1	M767
	FUSE: 5A	1	M934
	PLUG BRACKET AND TERMINAL A PIECE TYPE: M88051BL-1B/5	1	M257

PART NO.107402E3FS3E(FP082-04)		Revision:		Cable Length Unless Other Spec. Tolerances: 0 ~200mm ±10mm 201~1000mm ±20mm 1001 ~1500mm ±25mm 1501~2100mm ±30mm 2100mm↑ ±40mm
APPROVED				
CHECKED	HU			
DRAWING	JUDY			
DATE	16/DEC/11	ITEM NO.	EK500.3 & EK500.5	UNIT:mm