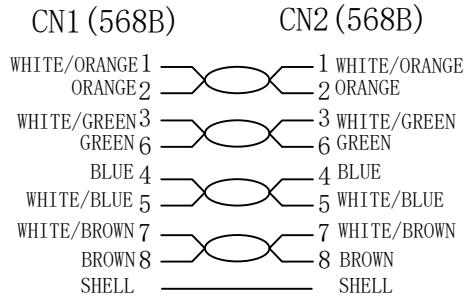


PIN OUT



NOTE:

1. Electrical test:

- (1). 100% open short & miss wire test;
- (2). Insulation resistance: DC 300V 3MΩ;
- (3). Contactor resistance: 15Ω;

2. RoHS 3.0 AND REACH COMPLIANT

3. PRINT WORD: F/UTP CAT. 5E 26AWG×4P PATCH ISO/IEC 11801 & EN 50173 VERIFIED **CE**

4. PACKING: SYNERGY 21 SLIP PE BAG+LABEL

MATERIAL LIST

⑥	LABEL	NO DRY GLUE LABEL	1	
⑤	MINI TIE	PE MINI TIE (POSSESS METAL)	2	
④	POLYETHYLENE BAG	SYNERGY 21 SLIP PE BAG	1	
③	CABLE	F/UTP CAT. 5e 26AWG CCA*4pairs+MYLAR+DRAIN+AL-FOIL, CABLE JACKET: PVC OD=5.2±0.2mm	1	
②	Over mold	80A PVC, COLOR: SEE THE CHART	2	
①	Plug	RJ45 8P8C'S SHIELDED THE SHELL PLATED NICKEL, PIN GOLD PLATED 3u"	2	
NO.	PARTS NAME	SPECIFICATION STANDARD	QT' Y	REMARK
Hasia		change "ROSH 2.0" to "ROSH 3.0"	2022-02-25	A2
		ADD "CE" MARK IN THE PRINT, CHANGE OD 5.7MM TO 5.2MM	2016-01-11	A1
		NEW	2016-01-07	A
BY	CHK	REVISION RECORD MODIFICATIONS	DATE	REV.

<b>SYNERGY 21</b>					
CUSTOMER NO.				ITEM NO.	SEE THE CHART
PRODUCT NAME	CAT. 5e F/UTP PATCH CORD	manufacture country:	CHINA	UNIT	MM
DRAWNBY		CHECKBY		APPOBY	DATE
SYNERGY 21	SYNERGY 21	SYNERGY 21	SYNERGY 21	2016-01-07	

CHART

COLOR: BALCK (PANTONE BLACK 3C)		
ITEM NO.	LENGTH	PACKING
S215006	250±30	SYNERGY 21 BAG A
S215013	500±30	SYNERGY 21 BAG A
S215020	1000±30	SYNERGY 21 BAG A
S215026	1500±50	SYNERGY 21 BAG A
S215033	2000±50	SYNERGY 21 BAG A
S215040	3000±70	SYNERGY 21 BAG A
S215047	5000±70	SYNERGY 21 BAG B
S215053	7500±150	SYNERGY 21 BAG B
S215060	10000±150	SYNERGY 21 BAG B
S215066	15000±200	SYNERGY 21 BAG C
S215073	20000±300	SYNERGY 21 BAG C
S215079	25000+300	SYNERGY 21 BAG C
S215085	30000±300	SYNERGY 21 BAG D

COLOR: RED (PANTONE 199C )		
ITEM NO.	LENGTH	PACKING
S215005	250±30	SYNERGY 21 BAG A
S215012	500±30	SYNERGY 21 BAG A
S215019	1000±30	SYNERGY 21 BAG A
S215025	1500±50	SYNERGY 21 BAG A
S215032	2000±50	SYNERGY 21 BAG A
S215039	3000±70	SYNERGY 21 BAG A
S215046	5000±70	SYNERGY 21 BAG B
S215052	7500±150	SYNERGY 21 BAG B
S215059	10000±150	SYNERGY 21 BAG B
S215065	15000±200	SYNERGY 21 BAG C
S215072	20000±300	SYNERGY 21 BAG C
S215078	25000+300	SYNERGY 21 BAG C
S215084	30000±300	SYNERGY 21 BAG D

COLOR: YELLOW (PANTONE 135C )		
ITEM NO.	LENGTH	PACKING
S215002	250±30	SYNERGY 21 BAG A
S215009	500±30	SYNERGY 21 BAG A
S215016	1000±30	SYNERGY 21 BAG A
S215022	1500±30	SYNERGY 21 BAG A
S215029	2000±30	SYNERGY 21 BAG A
S215036	3000±70	SYNERGY 21 BAG A
S215036	5000±70	SYNERGY 21 BAG B
S215049	7500±150	SYNERGY 21 BAG B
S215056	10000±150	SYNERGY 21 BAG B
S215062	15000±200	SYNERGY 21 BAG C
S215069	20000±300	SYNERGY 21 BAG C
S215075	25000+300	SYNERGY 21 BAG C
S215081	30000±300	SYNERGY 21 BAG D

COLOR: GREEN (PANTONE 3278C )		
ITEM NO.	LENGTH	PACKING
S215004	250±30	SYNERGY 21 BAG A
S215011	500±30	SYNERGY 21 BAG A
S215018	1000±30	SYNERGY 21 BAG A
S215024	1500±50	SYNERGY 21 BAG A
S215031	2000±50	SYNERGY 21 BAG A
S215038	3000±70	SYNERGY 21 BAG A
S215045	5000±70	SYNERGY 21 BAG B
S215051	7500±150	SYNERGY 21 BAG B
S215058	10000±150	SYNERGY 21 BAG B
S215064	15000±200	SYNERGY 21 BAG C
S215071	20000+300	SYNERGY 21 BAG C
S215077	25000+300	SYNERGY 21 BAG C
S215083	30000±300	SYNERGY 21 BAG D

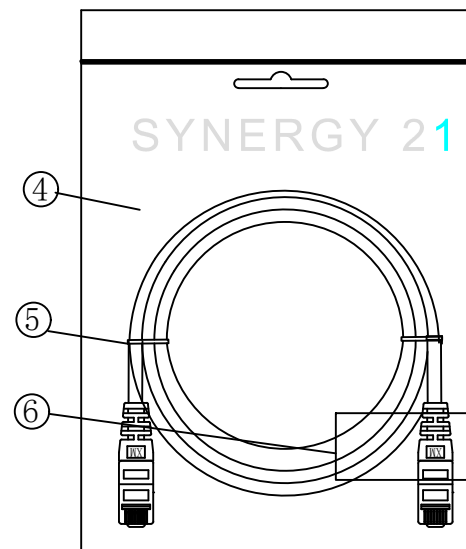
COLOR: BLUE (PANTONE 7462C )		
ITEM NO.	LENGTH	PACKING
S215001	250±30	SYNERGY 21 BAG A
S215007	500±30	SYNERGY 21 BAG A
S215014	1000±30	SYNERGY 21 BAG A
S215021	1500±50	SYNERGY 21 BAG A
S215027	2000±50	SYNERGY 21 BAG A
S215034	3000±70	SYNERGY 21 BAG A
S215041	5000±70	SYNERGY 21 BAG B
S215048	7500±150	SYNERGY 21 BAG B
S215054	10000±150	SYNERGY 21 BAG B
S215061	15000±200	SYNERGY 21 BAG C
S215067	20000+300	SYNERGY 21 BAG C
S215074	25000+300	SYNERGY 21 BAG C
S215080	30000±300	SYNERGY 21 BAG D

SYNERGY 21							
CUSTOMER NO.			ITEM NO.		SEE THE CHART		
PRODUCT NAME	CAT. 5e F/UTP PATCH CORD	manufacture country:	CHINA	UNTT	MM		

		NEW	2016-01-07	A	DRAWNBY	CHECKBY	APPOBY	DATE
BY	CHK	REVISION RECORD MODIFICATIONS	DATE	REV.	SYNERGY 21	SYNERGY 21	SYNERGY 21	2016-01-07

CHART

COLOR: GREY (PANTONE 421C )		
ITEM NO.	LENGTH	PACKING
S215003	250±30	SYNERGY 21 BAG A
S215010	500±30	SYNERGY 21 BAG A
S215017	1000±30	SYNERGY 21 BAG A
S215023	1500±50	SYNERGY 21 BAG A
S215030	2000±50	SYNERGY 21 BAG A
S215037	3000±70	SYNERGY 21 BAG A
S215044	5000±70	SYNERGY 21 BAG B
S215050	7500±150	SYNERGY 21 BAG B
S215057	10000±150	SYNERGY 21 BAG B
S215063	15000±200	SYNERGY 21 BAG C
S215070	20000±300	SYNERGY 21 BAG C
S215076	25000±300	SYNERGY 21 BAG C
S215082	30000±300	SYNERGY 21 BAG D
S215196	40000±400	SYNERGY 21 BAG D
S215197	50000±400	SYNERGY 21 BAG D



SYNERGY 21					
CUSTOMER NO.				ITEM NO.	SEE THE CHART
PRODUCT NAME	CAT. 5e F/UTP PATCH CORD	manufacture country:		CHINA	UNIT MM
		DRAWNBY	CHECKBY	APPOBY	DATE
BY	CHK	SYNERGY 21	SYNERGY 21	SYNERGY 21	2016-01-07

		NEW	2016-01-07	A
		REVISION RECORD MODIFICATIONS	DATE	REV.