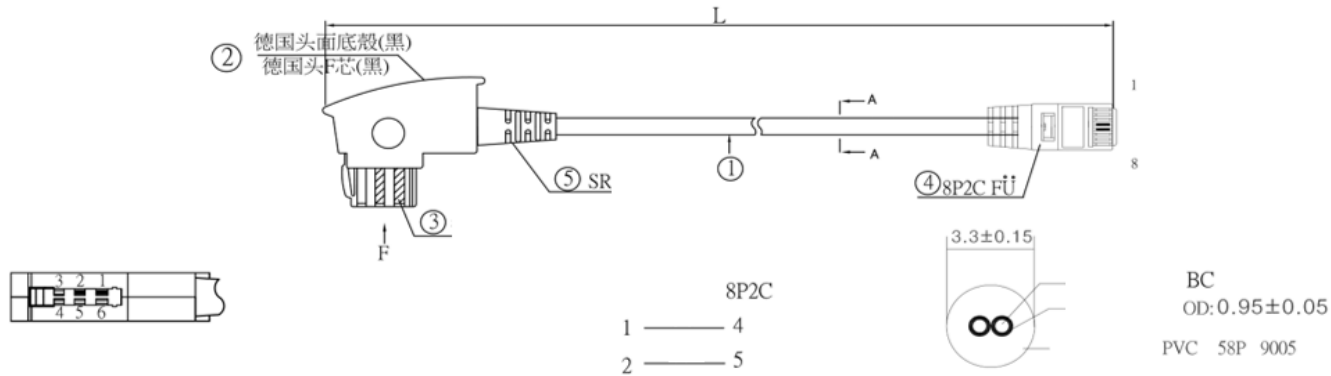


	REVISED	DR	APP



Use this TAE-F adapter cable for your DSL / VDSL terminal and connect directly your telephone socket to your compatible router.

Note that your DSL terminal / router must be working without a splitter and you can not use an analog / ISDN-based phone.

Thanks to the copper structure and twisted pair shielding it is working for high speed internet.

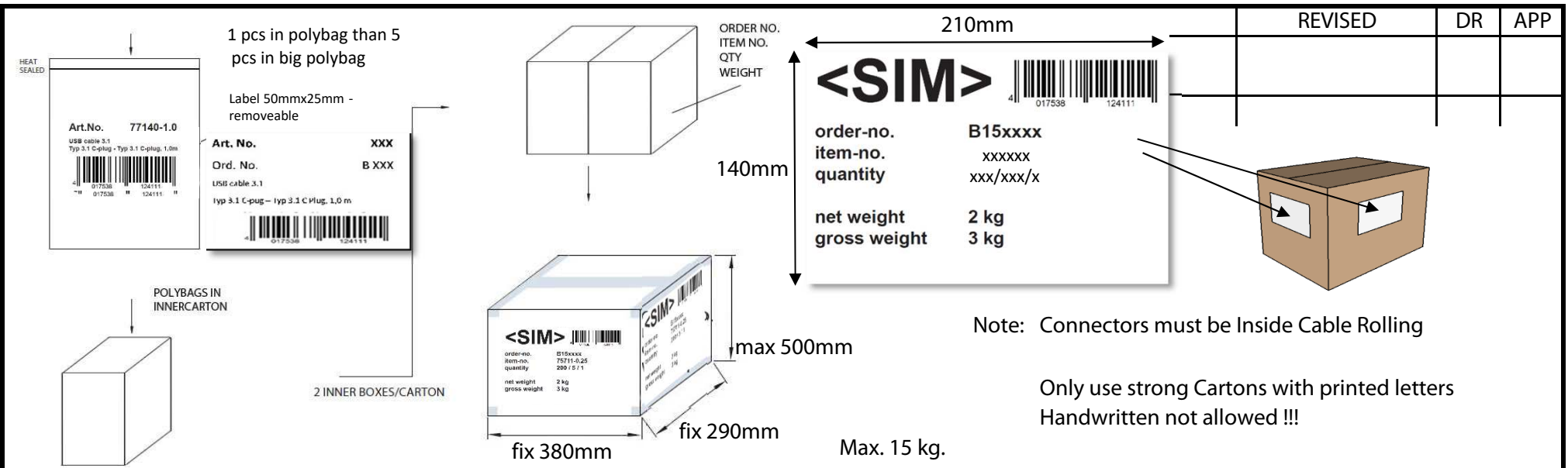
The moulded RJ-45 connector and the strain relief on both sides, ensure a secure and stable connection.

- Connections: TAE-F plug to RJ-45 plug
- Compatible with DSL / VDSL direct connection (wall socket - router)
- Pin assignment TAE-F: 1+2
- Pin assignment RJ-45: 4+5
- Shielding: twisted pair
- Wire material: copper
- Wire type: stranded
- Wire number: 2
- Plug TAE-F: assembled
- Plug RJ-45: moulded
- Plug material: plastic
- Kink protection: yes
- Cable type: round cable
- Material cable sheath: PVC
- Diameter cable (ca.): 3,3mm

1	CONNECTORS	TAE F PLUG – RJ 45 PLUG 8/2
2	MOLDING	ABS
3	CABLE	26 AWG(7x0.16x2CxOD:3.3) BC
NO	PART NAME	



DESCRIPTION		TAE F PLUG – RJ 45 PLUG 8/2					
SIZE	A4	DATE	02.12.2020	CHECKED		TOL	12-09015
UNIT	MM	DRAWN	R.Hueller	APPROVED			
CUSTOM TARIF NO.: 85444210							



ART.NO.	LENGTH	ROLLING SIZE	NET.WEIGHT (g)	PACKING	EAN CODE
12-09015	0,5m BLACK	120x30x10mm	18g	400 EXP / 200 INNER - 5/1 in pb with sticker	4017538131553
12-09155	1,5m BLACK	130x40x30mm	32g	300 EXP / 150 INNER - 5/1 in pb with sticker	4017538131560
12-09045	3,0m BLACK	130x40x40mm	56g	250 EXP / 125 INNER - 5/1 in pb with sticker	4017538131577
12-09265	6,0m BLACK	130x40x50mm	104g	200 EXP / 100 INNER - 5/1 in pb with sticker	4017538131584
12-09075	10m BLACK	120x40x50mm	160g	100 EXP / 50 INNER - 5/1 in pb with sticker	4017538131591
12-09085	15m BLACK	150x50x50mm	244g	50 EXP / NO INNER - 5/1 in pb with sticker	4017538131607
12-09095	20m BLACK	170x70x60mm	320g	50 EXP / NO INNER - 5/1 in pb with sticker	4017538131614
12-09016	0,5m WHITE	120x30x10mm	18g	400 EXP / 200 INNER - 5/1 in pb with sticker	4017538131867
12-09156	1,5m WHITE	130x40x30mm	32g	300 EXP / 150 INNER - 5/1 in pb with sticker	4017538131638
12-09046	3,0m WHITE	130x40x40mm	56g	250 EXP / 125 INNER - 5/1 in pb with sticker	4017538131645
12-09266	6,0m WHITE	130x40x50mm	104g	200 EXP / 100 INNER - 5/1 in pb with sticker	4017538131652
12-09076	10m WHITE	120x40x50mm	160g	100 EXP / 50 INNER - 5/1 in pb with sticker	4017538131669

DESCRIPTION		TAE F PLUG – RJ 45 PLUG 8/2				
SIZE	A4	DATE	02.12.2020	CHECKED		TOL
UNIT	MM	DRAWN	R.Hueller	APPROVED		
CUSTOM TARIF NO.: 85444210						
						12-09015

