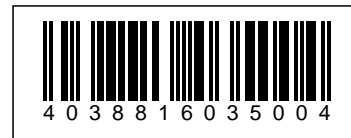


ALLNET MSR control center “ALL3500v2” incl. 4 sensor ports & WLAN for IP building automation

>>> [Go to the shop article](#)



EAN CODE



Your smart entry into building automation – ALLNET ALL3500v2

With the **ALLNET ALL3500v2 building automation centre**, you get a cost-effective and versatile platform that is optimally tailored to semi-professional requirements. Thanks to state-of-the-art technology, high connectivity and a wide range of applications, the ALL3500v2 is the perfect partner for your automation projects.

Highlights at a glance:

- **Cost-efficient platform:** Maximum functionality with minimum space and cost requirements.
- **Intuitive operation:** Can be conveniently controlled via web interface (HTTP/HTTPS) or smartphone.
- **Flexible data connection:** Integration via JSON, MQTT or SNMP possible.
- **Versatile sensor technology:** Comprehensive monitoring of temperature, humidity, air pressure and more.
- **Future-proof:** Expandable with i2C sensor ports and compatible with a wide range of ALLNET sensors and actuators.

Features that impress

The ALL3500v2 is based on a stable embedded Linux platform (MIPS or ARM architecture), which enables seamless integration into existing systems. With four RJ45 ports for sensor modules, you can realise a wide range of control and monitoring tasks. Whether local control or cloud-based applications - the ALL3500v2 offers you all



the tools you need to organise your building automation efficiently and securely.

Versatile application options:

- **HACCP temperature monitoring:** Precise detection and control in critical environments.
- **Room climate control:** Monitoring of temperature and humidity for demand-based control of heaters or humidifiers.
- **Security management:** Detection of gas odour, smoke or water ingress and triggering of alarms.
- **Automated garden irrigation:** Time and humidity-controlled for maximum efficiency.
- **Energy consumption optimisation:** Control based on consumption data from external sensors (e.g. ALL4590/4490 power meter).

Compact, powerful, versatile

The ALL3500v2 combines a variety of functions in a compact design that has been specially developed for space-saving installations. With four relays, sensor ports and contact interfaces, it can be used flexibly and provides the basis for sophisticated automation solutions - ideal for private and commercial applications.

Why ALLNET ALL3500v2?

With the ALL3500v2 you get a reliable and economical solution for building automation. From monitoring and control to integration into complex installations, this central unit offers everything you need for smart, efficient and future-proof automation.

Start your building automation now with the ALLNET ALL3500v2!



Versatile sensors, actuators and switching options for your automation

The **ALLNET ALL3500v2** impresses with its flexibility and functionality: With **four ports for external sensors and actuators**, **four relay outputs** for controlling loads and **four contact inputs** for buttons or switches, it provides an ideal basis for complex automation applications.

Sensing and control – Precise and versatile

With the ALL3500v2, you can measure and analyse a variety of environmental parameters such as temperature, humidity or air pressure and execute automatic switching operations based on them. Control is either manual, time-controlled or dynamic, based on the measured values.

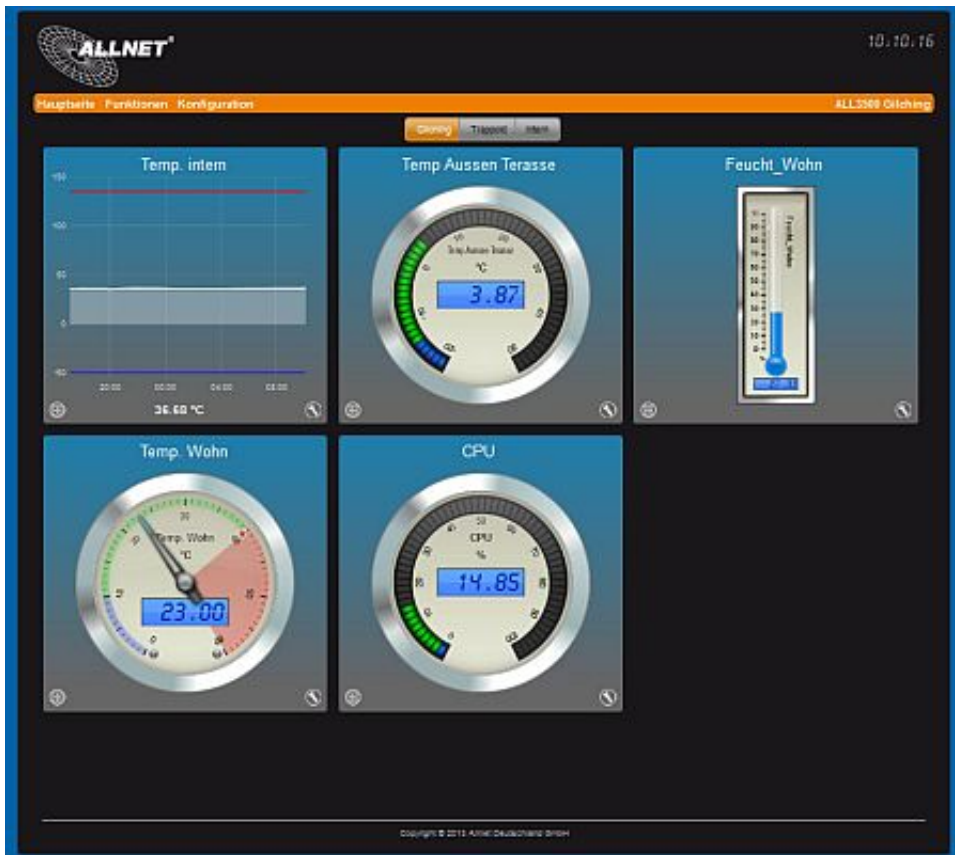
Connectivity that inspires

The ALL3500v2 is equipped with Ethernet and built-in WLAN, which enables easy integration into existing networks. Using an IP address in the TCP/IP network, you can:

- **Retrieve and edit measurement data directly in the web browser.**
- **Receive automated notifications and reports by email.**
- **Request and control data via JSON or XML interfaces.**

Optional MQTT support enables the transmission of data to the cloud and integration into IoT environments.

With its powerful connectivity and flexible control options, the **ALL3500v2** is the perfect choice for efficient and future-proof building automation.



I²C-Bus – Intelligent use of existing cable networks

The **ALLNET ALL3500v2** enables an uncomplicated connection of measurement and control modules via a standard network cable (RJ45, Cat. 5). This allows you to continue using existing cable infrastructures such as network or telephone cabling and saves costs and effort during installation.

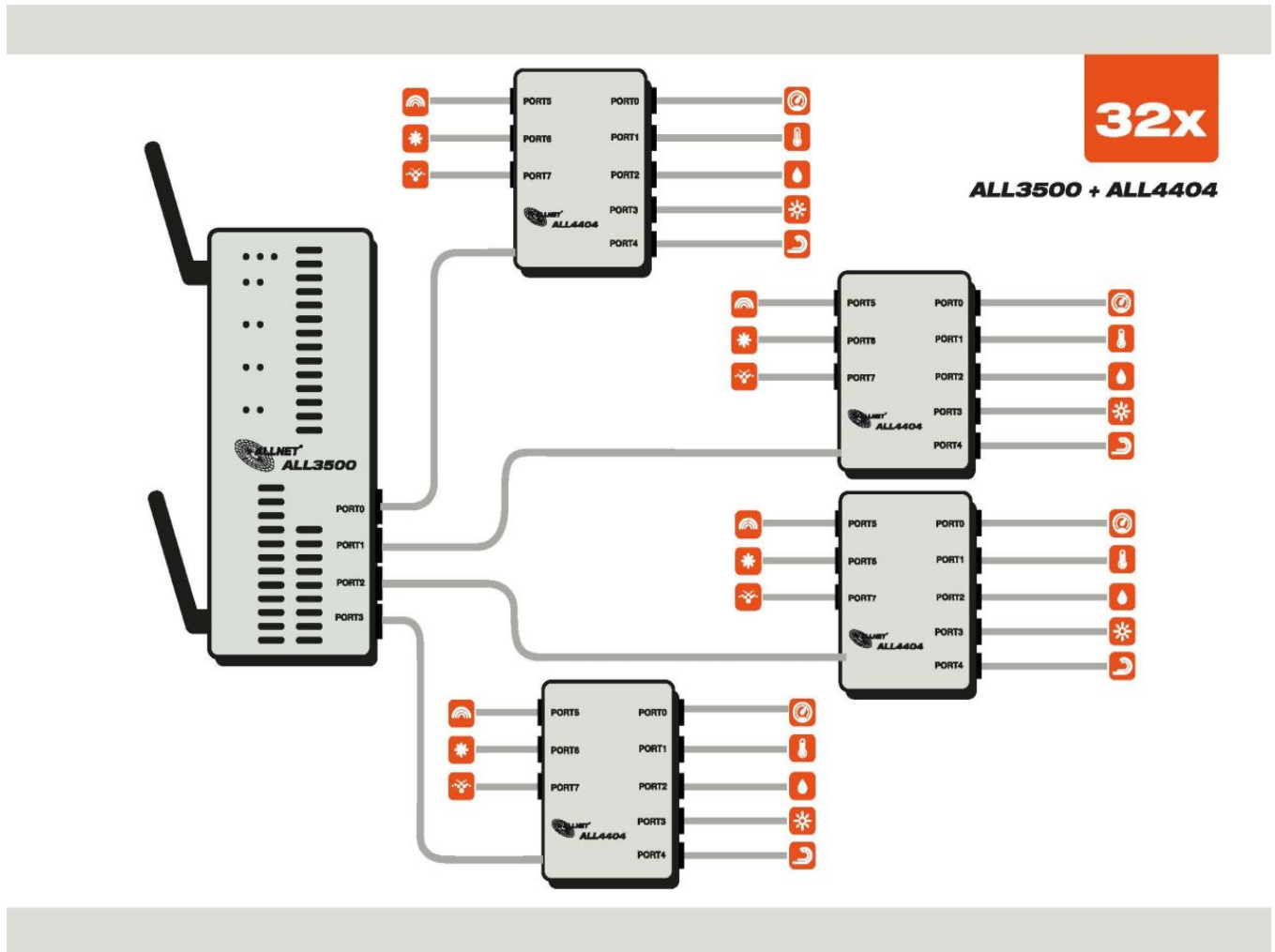
Advantages of the I²C bus system:

- **Simple cabling:** A standard network cable is sufficient to connect sensors and modules.
- **Long range:** Up to **100 metres of cable** between the central unit and module.
- **Integrated power supply:** The modules are supplied with power directly from the central unit – no separate power source required.

USB port – external memory connection

The USB port on the **ALLNET ALL3500v2** allows you to integrate external storage media easily and flexibly. This allows data to be saved and processed directly on connected USB devices. This enables extended data logging and analysis.

Maximum number of sensors per ALL3500v2:



Technical data:

Element	Specification
Interfaces:	4x RJ45 for sensor modules
Network connection:	1x RJ45 10/100Mbps
Switching relay:	4x potential-free
Contact input:	4x for push-buttons, switches, etc.
Wireless LAN:	Mediatek MTK7688 SOC chipset 2.4 GHz Wireless N Security: WEP 64/128bit, WPA, WPA2
Supported standards:	IEEE 802.3 IEEE 802.3u IEEE 802.11b/g/n

Other interfaces:	1x USB 2.0 1x console
Power supply:	100~240 VAC, 50/60 Hz, external power supply
Power consumption:	<5 watts maximum
How to use:	Metal walkway
Environment:	Operating temperature: 0 ~ 40 °C Operating humidity: 10% ~ 85% (non-condensing) Storage temperature: -20 ~ 60 °C Storage humidity: 5% ~ 90% (non-condensing)
Labelling:	CE, RoHS
Dimensions:	220.4 x 80 x 30 mm (length x width x height)
Weight:	400 grams (device incl. WLAN antenna and ALL3006 sensor)
Packaging contents:	-ALLNET ALL3500v2 -ALLNET ALL3008 temperature sensor -WLAN antenna -External power supply -Operating instructions

Accessories

Part No.	Name
210354	ALLNET PoE Splitter-Mini/Extractor / Gigabit / 24W / 5V/12V Switchable / ALL-PS102G-AF-AT
207613	ALLNET Netzwerk NTP GPS Server ALL-NTP-101
28197	ALLNET ALL3003 / switching output (1 optoelectroniccoupler,
134721	ALLNET MSR Sensor ALL3008 / Temperature sensor
124089	ALLNET MSR Sensor ALL3016 / Temperature sensor waterproof
157798	ALLNET ALL3020 / Sensor for humidity and temperature
34417	ALLNET ALL3036 / Liquid level monitor vertical
34418	ALLNET ALL3037 / Liquid level monitor
211006	ALLNET MSR Sensor ALL4456 / Leakage sensor / Water detected on the floor
36788	ALLNET ALL3051 / PIR motion detector
60987	ALLNET ALL4006 / DIN RAIL temperatur sensor 27mm
61959	ALLNET ALL4020 / DIN RAIL Reed-Relais (1 reed contact, isola
60991	ALLNET ALL4024 / DIN RAIL volt meter 220-240V 1phase
98838	ALLNET ALL4444 / volt meter 220-240V 4relais in metal case

Part No.	Name
61958	ALLNET ALL4054 / DIN RAIL shock sensor
62422	ALLNET ALL4056 / DIN RAIL noise sensor, 27mm width
98820	ALLNET ALL4404 / Multiplexing Modul-Hub 8 Ports
98825	ALLNET MSR IO ALL4427 / 4 port 250V/10A relay in housing 'OUTPUT'
88282	ALLNET ALL4524 / volt meter 220-240V AC
98836	ALLNET ALL4442 / contact input 4-port in metal case
98828	ALLNET ALL4429 / temperature/humidity/pressure Sensor in met
98840	ALLNET ALL4452 / PIR movement detector
98821	ALLNET ALL4406 / temperature sensor in metal case
98820	ALLNET ALL4404 / Multiplexing Modul-Hub 8 Ports
101321	ALLNET ALL4406 / temperature sensor in metal case *white*
157801	ALLNET ALL4420 / Combi sensor humidity/temp. in housing
157801	ALLNET ALL4420 / Combi sensor humidity/temp. in housing
98824	ALLNET ALL4425 / counter in metal case
101320	ALLNET ALL4425 / Contact Counter / S0 in the housing *white*
98825	ALLNET MSR IO ALL4427 / 4 port 250V/10A relay in housing 'OUTPUT'
98828	ALLNET ALL4429 / temperature/humidity/pressure Sensor in met
98831	ALLNET ALL4432 / analog brightness sensor in metal case
98836	ALLNET ALL4442 / contact input 4-port in metal case
98838	ALLNET ALL4444 / volt meter 220-240V 4relais in metal case
98840	ALLNET ALL4452 / PIR movement detector
102435	ALLNET ALL4454 / Smoke detector/sensor in the housing *blac
96689	ALLNET ALL4454 / Smoke/gas sensor in metal case
101887	ALLNET MSR ALL4500 / att. COM-Port adapter cable with 3 seri
115537	ALLNET ALL4409 / PT1000 interface in housing *white*.
115545	ALLNET ALL4408 / PT100 interface in housing *white*.
127304	ALLNET MSR Centrale ALL3500 zbh. KEFA (Phoenix® kompatibel) Relais-Ersatzstecker 4er Set
94360	Synergy 21 LED zub screw terminal KEFA (Phoenix® kompatibel) Plug 2 F
166561	ALLNET MSR ALL4472 / Particulate Matter Sensor *white*
166559	ALLNET MSR ALL4471 / Co2-Kohlendioxid-Sensor *white*
206211	ALLNET MSR Central "ALL5000v2" incl. 16 Sensor Ports & 19" for IP Building Automation



Part No.: 98686
Vendor Part No.: ALL3500v2

Part No.	Name
137015	ALLNET MSR zbh. Magnetic window/door contact (NO) ALL3041
221638	ALLNET MSR IO Central Switching Power Strip 6-way incl. Meter for Desktop & 19" Mounting "ALL4176v3" for IP Building Automation
174036	ALLNET MSR IO central switch socket incl. WLAN 'ALL3073V3WLAN' for IP building automation
118725	ALLNET ALL3696 / Powermeter ALL3696 IP with 2x induction
109096	ALLNET ALL3697-32A / PM4 DIN-Rail Powermeter 32A 3 phase

[Click here to discover more items from this category in our shop.](#)