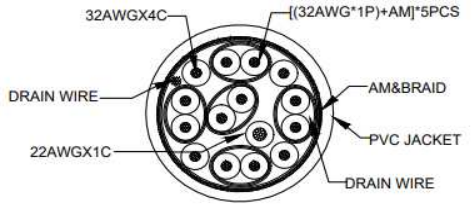


	REVISED	DR	APP

**PIN ASSIGNMENT:**

USB C TYPE(P1)	USB C TYPE(P2)
A5	A5 cc
B5	B5 cc
A6	A6 Dp1
A7	A7 Dn1
A2	B11 SSRX p1
A3	B10 SSRX n1
B11	A2 SSRX p1
B10	A3 SSRX n1
B2	A11 SSRX p2
B3	A10 SSRX n2
A11	B2 SSTX p2
A10	B3 SSTX n2
A8	B8 SBU 2
B8	A8 SBU 1
A1,B1,A12,B12	A1,B1,A12,B12 GND
A4,B4,A9,B9	A4,B4,A9,B9 Vbus
SHELL	SHELL



NOTE:  
 1. Electronic test  
 1.1 Open/short 100% test  
 2. Max Datarate: Up to 10Gbps  
 3. E-MARK IC :Hynetek Semiconductor ( PD3 5A, 100W)  
 RoHS2.0 (2011/65/EU) Compliant

ITEM NO.	LENGTH
03-70015	500±20
03-70025	1000±20
03-70155	1500±20
03-70035	2000±20

- Connections: USB-C plug to USB-C plug
- max. Bandwidth: 10 Gbps
- USB version: USB 3.1 (SuperSpeed USB 10Gbps)
- Compatible with all USB Type-A interfaces (i.a.): Hi-Speed USB, SuperSpeed USB 5Gbps, SuperSpeed USB 10Gbps
- Suitable for USB quick chargers / PowerDelivery (up to 100W)

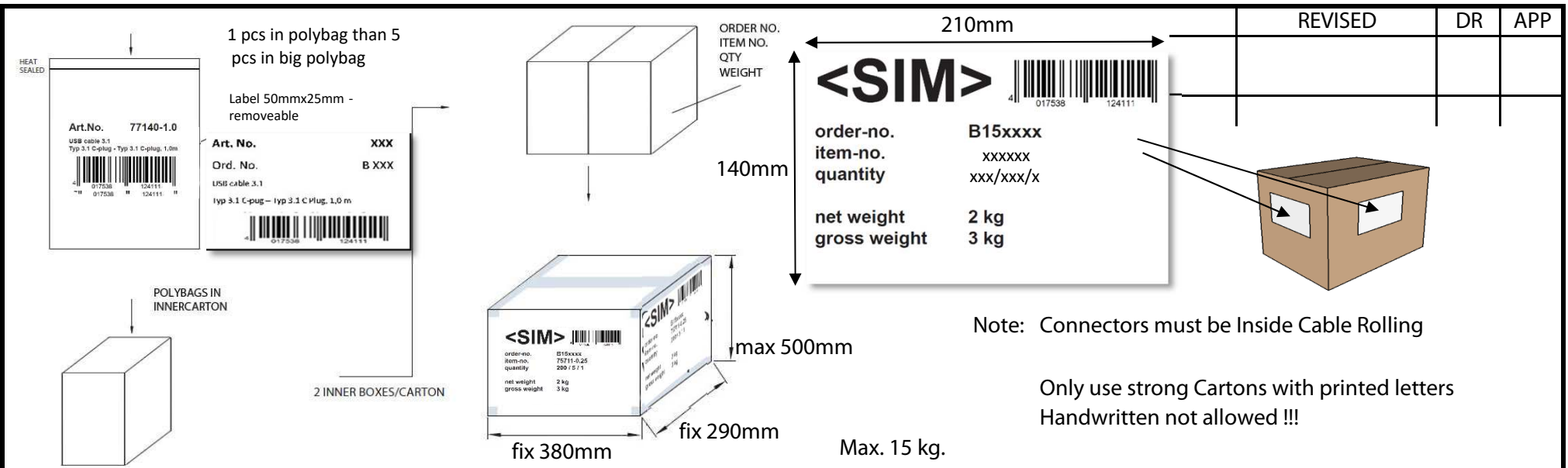
- Wire material: copper
- Plug: moulded
- Plug material: CuZnNi
- Contact surface: gold-plated pins
- Plug cover: metal, ALU

- Cable type: round cable
- Material cable sheath: "Highflex" PVC
- Cable sheath diameter (ca.): 5.0mm
- Color: blue

⑤	DUST COVR	TRANSPARETN PE
④	OUTER MOLD	ALUMINUM/SILVER
③	BOOT	PVC/DARK BLUE
②	USB CM	USB C MALE, GOLD PLATED PIN, NICKEL PLATED SHELL
①	CABLE	[32AWG/1 COPPER*1P+AL]*5+32AWG/1 COPPER*4C+22AWG/7 COPPER*1C +AL-FOIL+E+BRAID AL-MG, JACKET :PVC/DARK BLUE, OD:5.0±0.2mm
NO	PART NAME	PICTURES AND COLORS CAN DIFFER FROM THE PRODUCT!



DESCRIPTION		HOME CINEMA USB-C CONNECTING CABLE, 3.1					
SIZE	A4	DATE	17.08.2021	CHECKED		TOL	03-70015
UNIT	MM	DRAWN	R.Hueller	APPROVED			
CUSTOM TARIF NO.: 854442909000							



REVISED	DR	APP

ART.NO.	LENGTH	ROLLING SIZE	NET.WEIGHT (g)	PACKING	EAN CODE
03-70015	0.5m	100x80x14mm	25g	250 EXP / 125 INNER - 5/1 in pb with sticker	4017538134950
03-70025	1.0m	100x80x20mm	38g	200 EXP / 100 INNER - 5/1 in pb with sticker	4017538134967
03-70155	1.5m	110x90x20mm	51g	150 EXP / 75 INNER - 5/1 in pb with sticker	4017538134974
03-70035	2.0m	140x120x20mm	66g	100 EXP / 50 INNER - 5/1 in pb with sticker	4017538134981

DESCRIPTION		HOME CINEMA USB-C CONNECTING CABLE, 3.1				
SIZE	A4	DATE	17.08.2021	CHECKED		TOL
UNIT	MM	DRAWN	R.Hueller	APPROVED		
CUSTOM TARIF NO.: 854442909000						
						<b>03-70015</b>