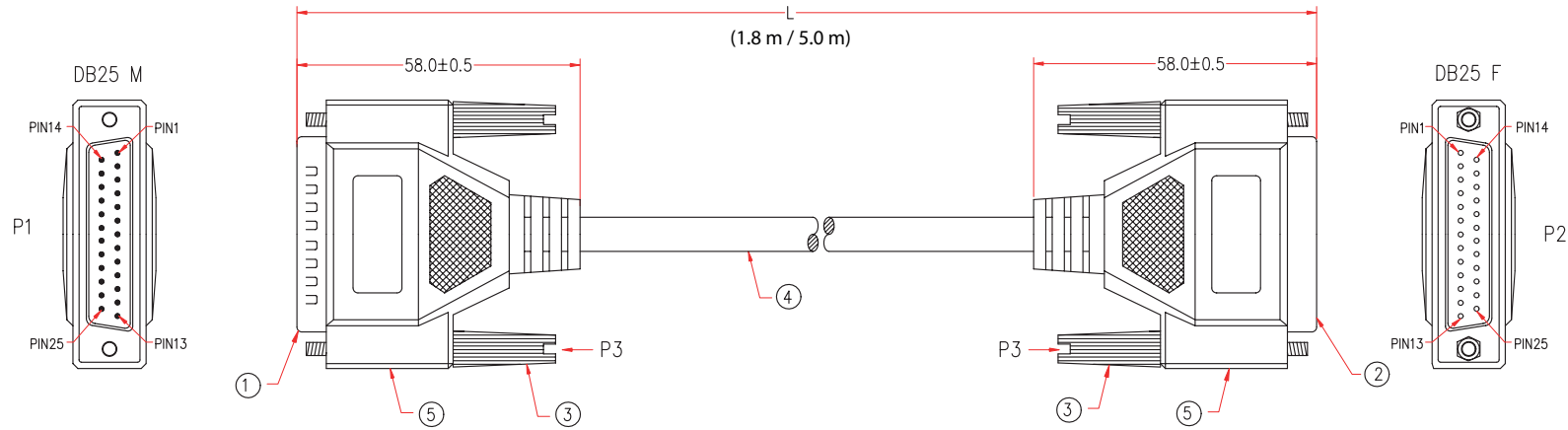


HK25/25MFx

date/contact: 171006/MAP
 finishing: SNI
 last update: 231121/MAP
 drawing: 92778
 unit: mm
 page: 1/1

EVE GmbH
 Anni-Albers-Str. 15
 D-48282 Emsdetten
 Tel.: +49 (0)2572/9351-0
 info@eve.de • www.eve.de



	P1	P2	P1	P2	
BROWN	1	1	14	14	BROWN/BLACK
RED	2	2	15	15	RED/BLACK
ORANGE	3	3	16	16	ORANGE/BLACK
PINK	4	4	17	17	PINK/BLACK
YELLOW	5	5	18	18	YELLOW/BLACK
GREEN	6	6	19	19	GREEN/BLACK
LIGHT GREEN	7	7	20	20	LIGHT GREEN/BLACK
BLUE	8	8	21	21	BLUE/BLACK
LIGHT BLUE	9	9	22	22	LIGHT BLUE/BLACK
PURPLE	10	10	23	23	PURPLE/BLACK
GREY	11	11	24	24	GREY/BLACK
WHITE	12	12	25	25	WHITE/BLACK
BLACK	13	13	SHIELD	SHIELD	

NOTE: All relevant materials are complied with RoHS directive .

No.	DESCRIPTION	Q'TY
5	BLACK PVC TUBE ϕ 3.0*30mm	2
	ALUMINUM FOIL 33*110mm	2
	MOLDED PE COLOR TRANSPARENT	
	MOLDED PVC BEIGE	
4	NON-UL 25C 30AWG, ALUM-MYLAR FOIL SHIELDING WITH DRAIN WIRE, OD 7.0mm, JACKET BEIGE	L-20mm
3	MOLDED THUMBSCREW #4-40, LENGTH 46.5mm, BEIGE	4
2	DB25 FEMALE, GOLD FLASH ON CONTACTS, BLUE INSULATOR	1
1	DB25 MALE, GOLD FLASH ON CONTACTS, BLUE INSULATOR	1

Cable Length Unless Other Spec.
 Tolerances:
 0 ~200mm ±10mm
 201~1000mm ±20mm
 1001 ~1500mm ±25mm
 1501~2100mm ±30mm
 2100mm ↑ ±40mm