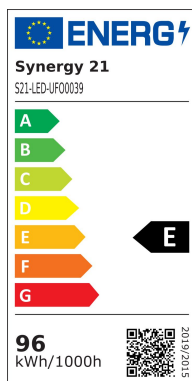
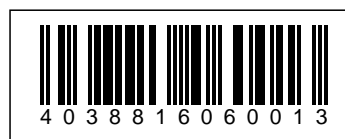


Synergy 21 LED spot pendant luminaire UFO 96W for industry/warehouse



| | |
|----------------------------|------------|
| kwh/1000h: | 96,00 |
| Lumens: | 12960 |
| Watt: | 96,0 |
| Nominal Service Life: | 50000 Std. |
| Switching Cycles: | 50000 |
| Opt. Ambient Temperature.: | 25 °C |



AC 90-305V/50-60Hz
Dimmable: 1-10 Volt
Power: 96 Watt
Luminous flux: 12960lm
Efficiency: 135lm/W
Beam angle: 90°
CRI Ra: > 80
Light colour: cool white
Kelvin: 6500K ± 10%
Operating temperature: -40 to +55°C
Protection class: IP65, IK10, "D" labelling according to EN 60598-2-24
Weight: 4.8kg
Diameter: 260mm
Complete height: 177.5
Energy efficiency class: A++
kWh/1000h: 96

5 year guarantee
IES files available on request

Attributes

| Attribute | Value |
|------------------------|--------------|
| Abstrahlwinkel: | 90 |
| Betriebstemperatur: | -40 bis +55 |
| CRI: | >80 |
| Dimmbar: | 0-10V |
| Grösse: | 260*177,5 |
| LED - Gehäusefarbe: | schwarz |
| LED - Gehäusematerial: | Aluminium |
| Lichtfarbe: | kaltweiß |
| Lichtfarbe in Kelvin: | 6500 |
| Lumen: | 12960 |
| Schutzklasse: | IP65/IK10 |
| Volt: | 230 |
| Weight: | 4.8 Kg |
| Warranty: | 60.00 Months |

Additional Images



Dimension



Installation:



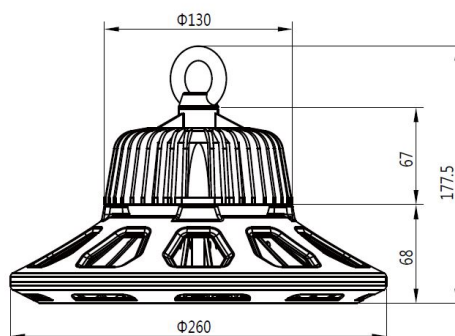


Product Description

- 1, Compact and fasion design .Light weighted : 4.80kg
- 2, Philips 3030 LED as light source , CR>80Ra
- 3, MEAN WELL HBG Series power supply . PF>0.95
- 4, High lumen efficiency : 135lm/w
- 5, 5 years warranty .

Performance Summary

Input Power: 80W, 100W, 150W, 200W, 230W
 CRI: >70Ra/80Ra
 CCT: 3000k-6500K
 Input Voltage:90-305Vac
 Limited Warranty :5 years' warranty
 High Efficacy Lifetime: 50000hours
 Dimming:Non-dimmable & 1-10V Dimmable
 Working Temperature : - 20°C – +45 °C(Amb)



Accessories

| Part No. | Name |
|----------|--|
| 139690 | Synergy 21 LED spot pendant light UFO add. Radar Kit S |
| 142944 | Synergy 21 LED spot pendant light UFO add. Wall bracket for UFO size S bracket long |
| 142943 | Synergy 21 LED spot pendant light UFO add. Wall bracket for UFO size S bracket short |
| 144402 | Synergy 21 LED spot pendant light UFO add. Ball cage S |
| 148951 | Synergy 21 LED spot pendant light UFO add. Lampshade S |
| 124243 | Mean Well power supply unit - DALI Controller |

| Part No. | Name |
|----------|--|
| 137874 | Mean Well power supply unit - DALI Controller S01 |
| 148726 | Synergy 21 - Waterproof connector 1:1 |
| 148727 | Synergy 21 - Waterproof connector 1:2 |
| 148730 | Synergy 21 - Waterproof connector box 3 ports |
| 148729 | Synergy 21 - Waterproof connector box 3 ports transparent |
| 148728 | Synergy 21 - Waterproof connector box 4 ports |
| 133947 | ALLNET MSR ALL4460 / 0-10V DIMM actuator with ON/OFF for LED |
| 134571 | ALLNET ALL3419 / IP Building-Autom. 3x I2C, 1x USB, LAN/WLAN |
| 134899 | Synergy 21 Netzteil - Einschaltstrombegrenzer OSRAM |
| 157359 | Finder SSR relay (inrush current limiter) |
| 157358 | Finder installation contactor 25A (inrush current limiter) |
| 158976 | Finder dimmer for top-hat rail Master |
| 158977 | Finder dimmer for top-hat rail SLAVE |
| 140646 | Synergy 21 LED sensor 0-10V brightness sensor |