

Synergy 21 LED light panel R400 neutral white round



kwh/1000h:	27,50
Lumens:	2500
Watt:	25,0
Nominal Service Life:	50000 Std.
Switching Cycles:	100000
Opt. Ambient Temperature.:	25 °C



Round Ultra Slim LED Panel Light
Suitable for recessed, surface-mounted or suspended ceilings.

Frame colour: white
Power consumption: 25Watt
Lumen: 2500lm
Light colour: neutral white 4000k \pm 250
Colour rendering: CRI: >80
Protection class: IP40
Operating temperature: -10° to +40°
Power supply: Power supply unit & mounting kit not included!
Power consumption: 700mA, 27-42V/DC, 25W@700mA
Size: 380mm x 13.5mm

Energy efficiency class: A+
kWh/1000h: 27.5

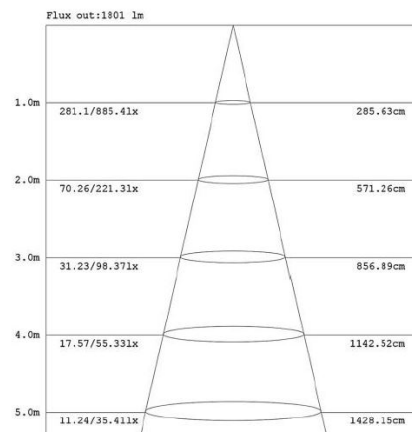
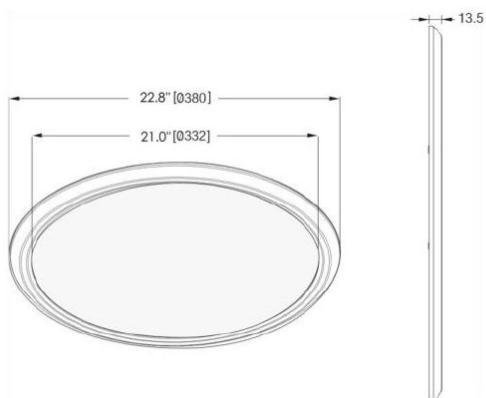
Attributes

Attribute	Value
Abstrahlwinkel:	120

Attribute	Value
Ampere:	0.70
CC oder CV:	CC
CRI:	>80
Dimmbar:	Ja, abhängig vom Netzteil
Grösse:	380x13,5
LED - Gehäusefarbe:	weiß
LED - Gehäusematerial:	Aluminum
Lichtfarbe:	neutralweiß
Lichtfarbe in Kelvin:	4000
Lumen:	2500
Schutzklasse:	IP40
Volt:	27-42
Weight:	2 Kg
Warranty:	36.00 Months

Additional Images

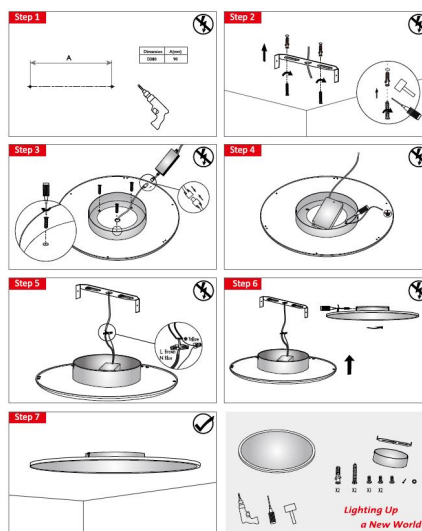


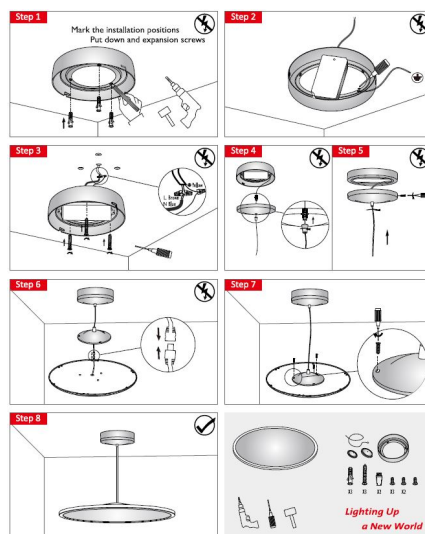
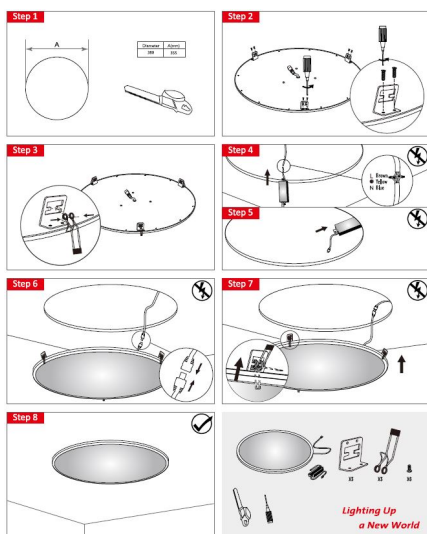


Note: The Curves indicate the illuminated area and the average illumination when the luminaire is at different distance.



Verschiedene Montagemöglichkeiten stehen zur Auswahl, siehe Zubehör





Accessories

Part No.	Name
140142	Synergy 21 LED light panel R400 add mounting kit
140145	Synergy 21 LED light panel R400 with power supply unit Triac Dimm
140146	Synergy 21 LED light panel R400 with power supply unit 0-10V Dimm
134899	Synergy 21 Netzteil - Einschaltstrombegrenzer OSRAM
131690	Synergy 21 LED light panel 300*1200 Up& Down or Pontos transparent cable for power supply unit
183635	Synergy 21 LED light panel R400 zub Netzteil DALI V2