

Colored Coating Fiber:250um±15um  
 Inner Jacket: black  
 Polyester yarn  
 Outer Jacket: White (RAL9001) 2.2mm±0.2mm



ITEM NO.	LENGTH	FIBER	Color
S215572. 20m	20M	G657. A2	White
S215572. 40m	40M	G657. A2	White
S215572. 60m	60M	G657. A2	White

Tension (Short Term)	120N, no change in attenuation after the test, no sheath damage
Tension (Long Term)	60N, no change in attenuation
Crush (Short Term)	500N/100mm, no fiber breakage, no sheath damage
Crush (Long Term)	100N/100mm, no change in attenuation

Note:  
 1. Grade Designation: Each to Reference  
 2. ROHS 2.0 (EU)/2015/863 and REACH Compliant  
 3. Bending insensitive fiber

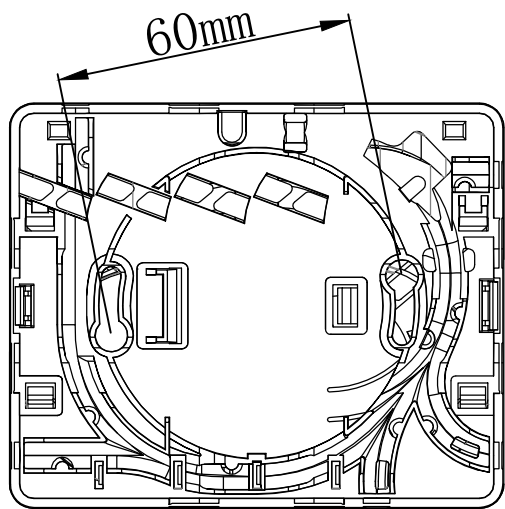
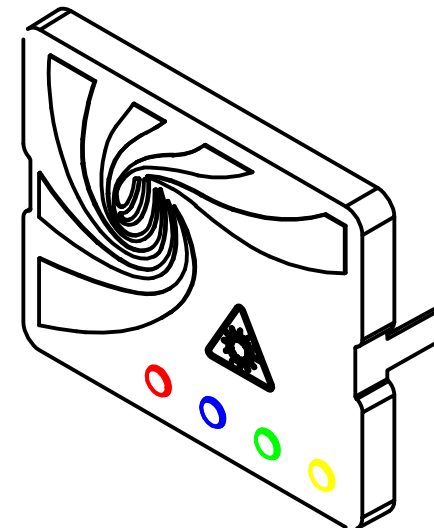
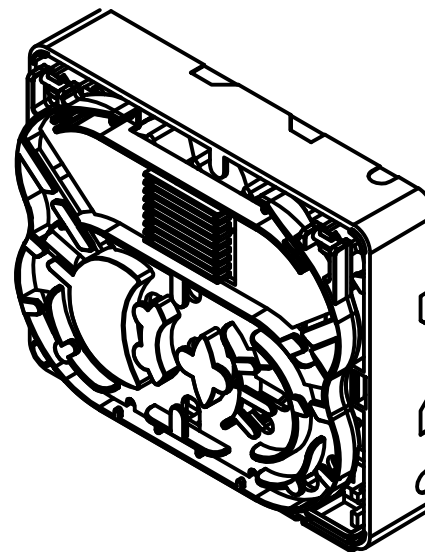
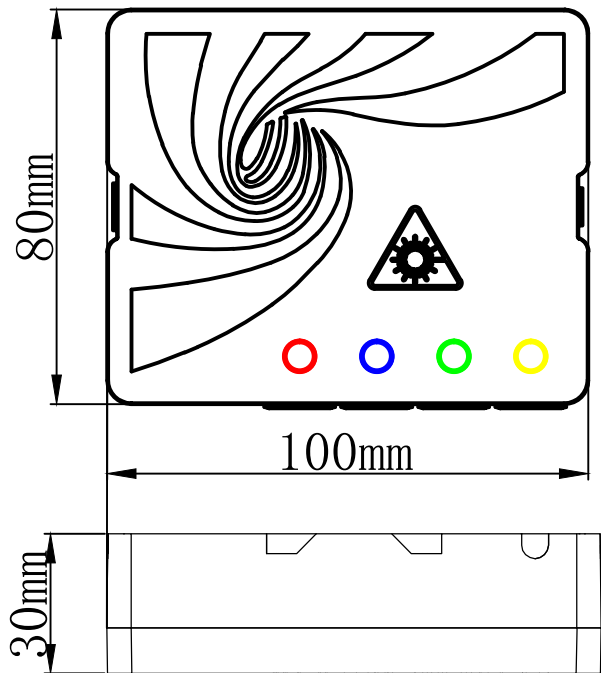
Type	Single-Mode
Insertion Loss	≤ 0.30dB
Return Loss	≥ 60dB
Test Wavelength	1310nm

Packing: 1pcs/Paper shaft + test report

⑨	0.9 Tube Hytrel Color:Red	560mm	
⑧	0.9 Tube Hytrel Color:Blue	570mm	
⑦	Heat Shrink Tubing	170mm	
⑥	Fanout Heat Shrink Tubing	1	
⑤	FIBER OPTICAL CABLE G657. A2 2C 250um Blue Red with KEVLAR Jacket LSZH OD: 2.2mm Color:White Printing: FIBER OPTICAL CABLE 2FO SM 9/125um G657. A2 LSZH HT CPR Eca MM/YYYY XXXXm	Xm	
④	SC Transparent Dust Cap	2	
③	SC/APC 8° Ferrule	2	
②	SC SM 0.9 Green Connector	2	
①	SC 0.9mm Green Boot	2	

NO.	SPECIFICATION STANDARD	QT'Y	REMARK
	Cancel Ring (1) (2)		2021-06-07 A2
	Add cable specification		2020-03-02 A1
	NEW		2019-04-24 A
BY	CHK	REVISION RECORD MODIFICATIONS	DATE REV.

SYNERGY 21					
CUSTOMER		ITEM NO.	see the chart		
PRODUCT NAME	2 cores SC/APC 8° fiber cable	Manufacture country	CHINA	UNIT	mm
DRAWNBY	CHECKBY	APPOBY	DATE		
SYNERGY 21	SYNERGY 21		2019-04-24		



Note:

Tolerance :  $\pm 2\text{mm}$

ABS+PC material, White

Accessory:

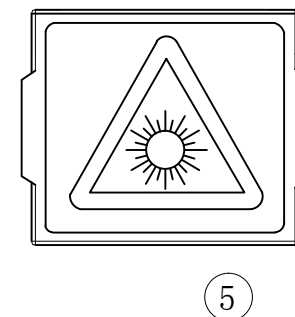
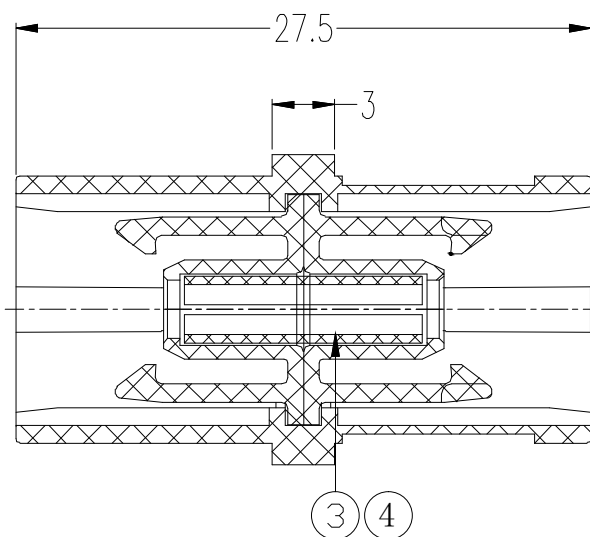
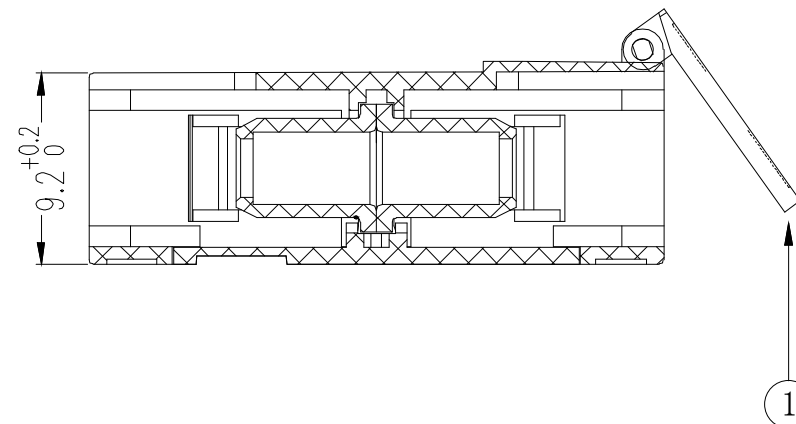
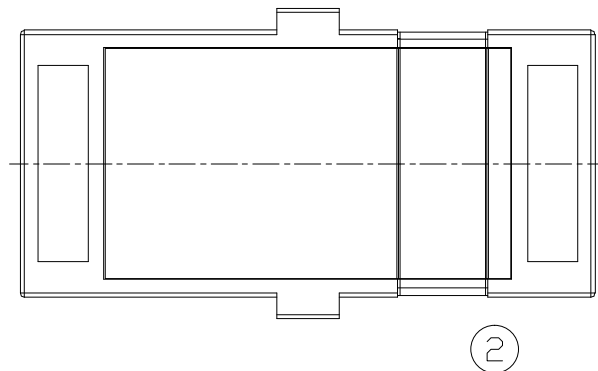
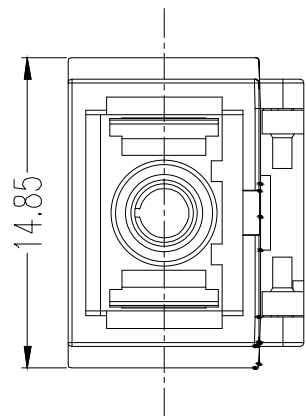
Screw ST4.0\*25mm sets: 2 sets

Cable Tie 2.2\*80mm x 4 pcs

Packing: 1PCS/PE Bag

SYNERGY 21

						CUSTOMER		ITEM NO.		See the chart	
						PRODUCT NAME		FTTH Box 4 Core		Manufacture country	
								CHINA		UNIT mm	
								APPOBY		DATE	
BY		CHK		NEW		2019-04-23		A		2019-04-23	
				REVISION RECORD MODIFICATIONS		DATE		REV.		SYNERGY 21	
								DRAWNBY		CHECKBY	
								SYNERGY 21		SYNERGY 21	



NOTE:  
RoHS 2.0 & Reach COMPLIANT

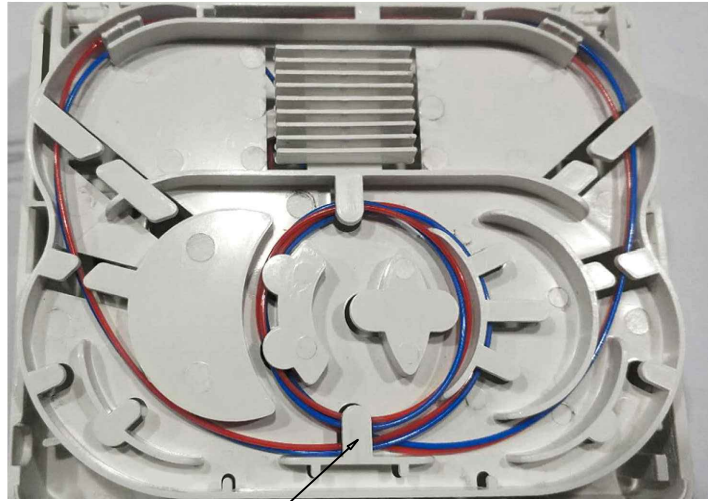
Insertion Loss (typical) (dB)	≤0.12
Insertion Loss (dB)	≤0.20
Operating Temperature (° C)	-40 ~ +80
Storage Temperature (° C)	-40 ~ +85

**MATERIAL LIST:**

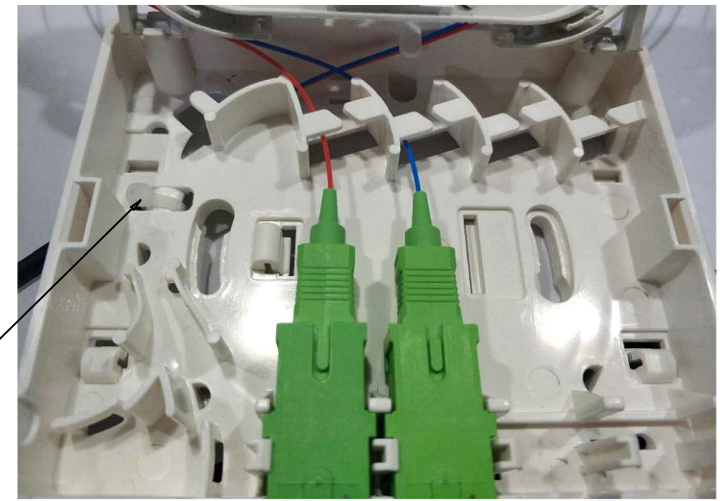
⑤	Note that the laser label (Red Blue)	1pcs	
④	SC Sleeve ceramic	1pcs	
③	SC Green Bush	2pcs	
②	SC Simplex Green one-piece Body without flange	1pcs	
①	SC Green Dust Cap	1pcs	
NO.	SPECIFICATION STANDARD	QT' Y	REMARK

SYNERGY 21					
CUSTOMER		ITEM NO.	See the chart		
PRODUCT NAME	SC SM Green (ceramic) Simplex plastic Adapter With external laser protection shutter	Manufacture country	CHINA	UNIT	mm
BY	CHK	DRAWNBY	CHECKBY	APPOBY	DATE
		SYNERGY 21	SYNERGY 21		2019-04-23

		NEW	2019-04-23	A
BY	CHK	REVISION RECORD MODIFICATIONS	DATE	REV.



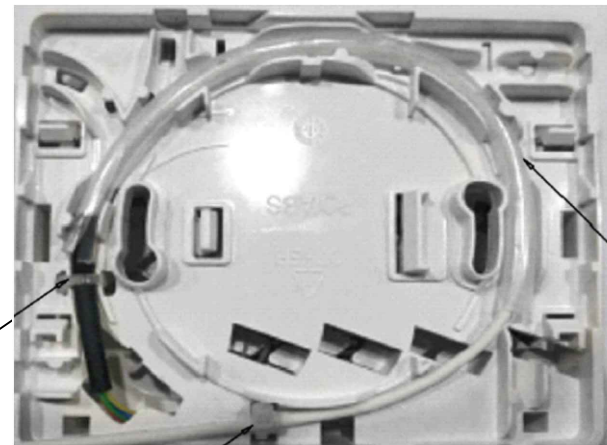
Two laps



Cable tie

Red Blue

Adapter label



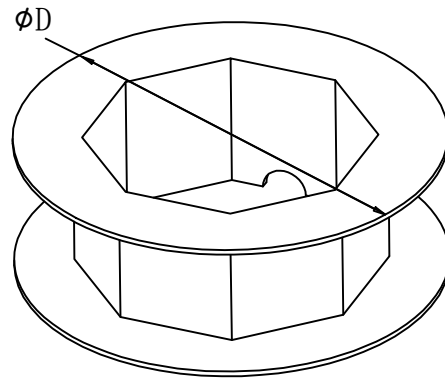
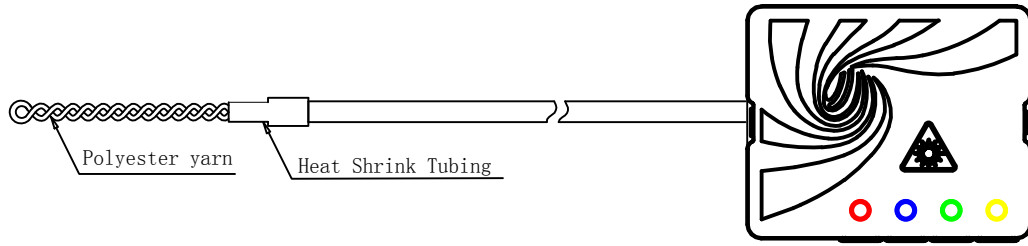
Cable tie

Transparent tube 135mm

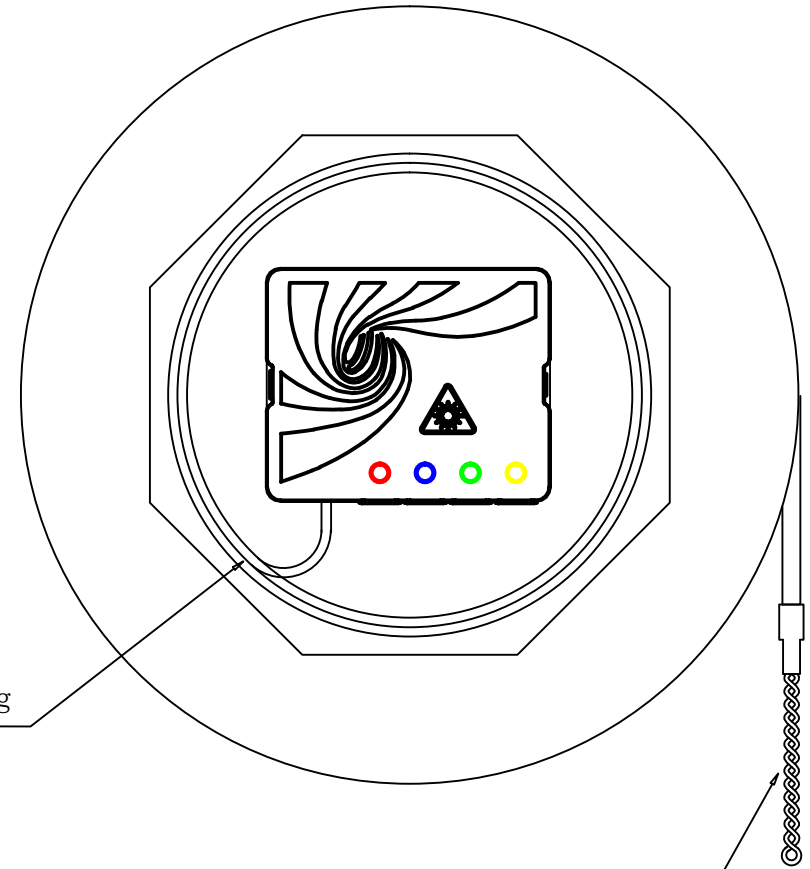
Cable tie

										SYNERGY 21				
						CUSTOMER				ITEM NO.		see the chart		
						PRODUCT NAME		Assemble		Manufacture country		CHINA	UNIT	mm
		NEW		2019-04-24		A		DRAWNBY		CHECKBY		APPOBY		DATE
BY	CHK	REVISION RECORD MODIFICATIONS			DATE	REV.	SYNERGY 21		SYNERGY 21				2019-04-24	

# End-product drawing

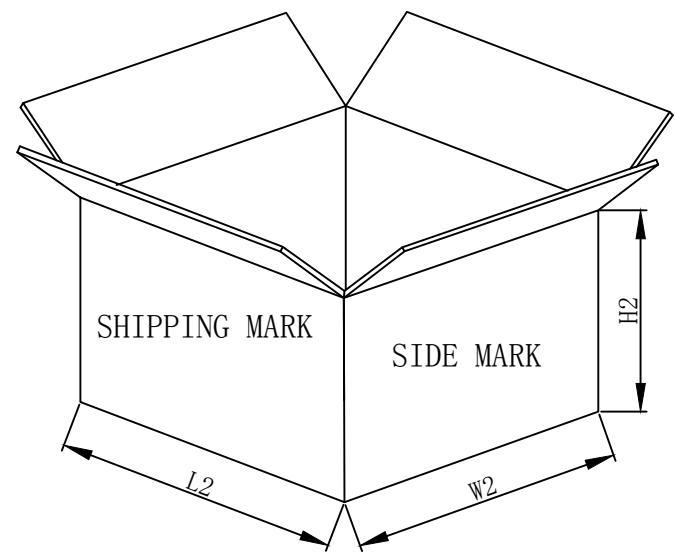
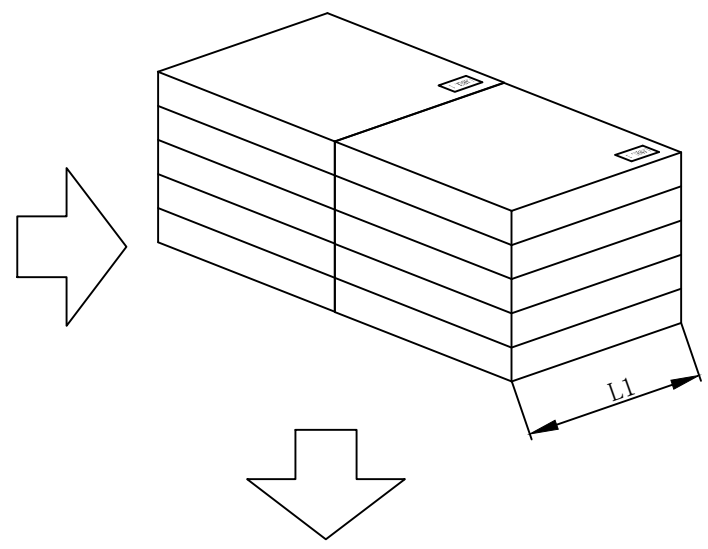
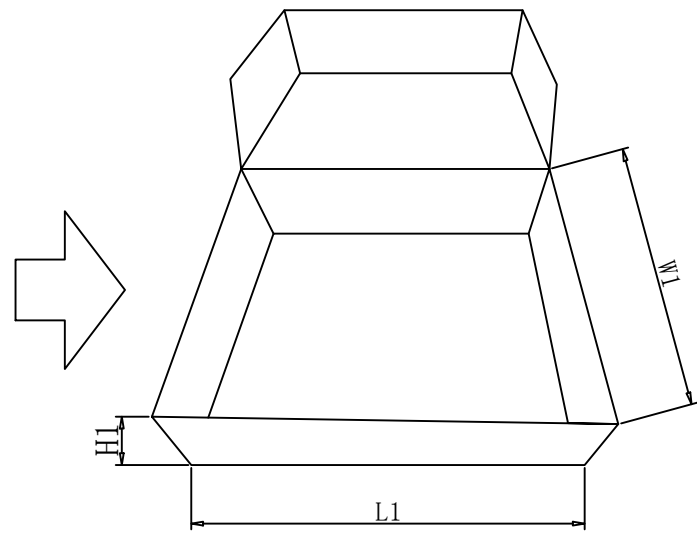
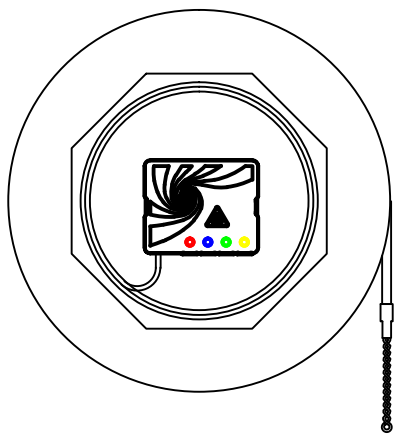


Paper shaft



1pcs/Paper shaft + Test report + Accessory

										SYNERGY 21							
				CUSTOMER				ITEM NO.		See the chart							
				PRODUCT NAME		Assemble		Manufacture country		CHINA	UNIT	mm					
				NEW		2019-04-24		A		DRAWNBY		CHECKBY		APPOBY		DATE	
BY	CHK	REVISION RECORD MODIFICATIONS				DATE		REV.		SYNERGY 21		SYNERGY 21		2019-04-24			



ITEM NO.	LENGTH	FIBER	Color
S215572. 20m	20M	G657. A2	White
S215572. 40m	40M	G657. A2	White
S215572. 60m	60M	G657. A2	White

Packing: 1pcs/Inner box 10pcs/Big carton

SYNERGY 21									
		CUSTOMER			ITEM NO.			see the chart	
		PRODUCT NAME		PACKING		Manufacture country		CHINA	
		NEW			2019-04-24		A		DATE
BY		CHK		REVISION RECORD MODIFICATIONS			DATE		REV.
		SYNERGY 21		SYNERGY 21		APPOBY		2019-04-24	