

Item No.	Description
S216821V2	50M
S216820V2	90M

MATERIAL LIST:

⑧	Cable	CAT7A S/FTP 23AWG 1200MHz BC Solid LSZH Cable Orange RAL 2003	1	
⑦	Snap ring	Plastic	1	
⑥	Brake pads	Plastic	1	
⑤	Handle	rubber	1	
④	Support shaft	Iron	1	
③	KEYSTONE JACK	CAT6A STP keystone jack	2	
②	FACE PLATE	86*86mm one-port, Title block with Transparent cover, Dust cap, RAL9010	1	
①	Plastic reel	Φ335mm with face plate, Plastic	1	
NO.	PARTS NAME	SPECIFICATION STANDARD	QT' Y	REMARK

FLUKE PL2 LINK TEST:

TEST LIMIT: ISO11801 PL2 Class EA(+ALL)
Notes:

- ISO/IEC 11801:2002 Class Fa 1000MHz
- ISO/IEC EN 50173 Class Fa 1000MHz
- EIA/TIA 568-C 1000MHz
- IEC 60603-7-71
- RJ45 Contacts durability: 750 cycles min
- Support PoE, PoE+, PoE++
- Operating Temperature: -20~+75°C
- storage temperature: 0~+50°C
- RoHS 3.0 and REACH Compliant

SYNERGY21

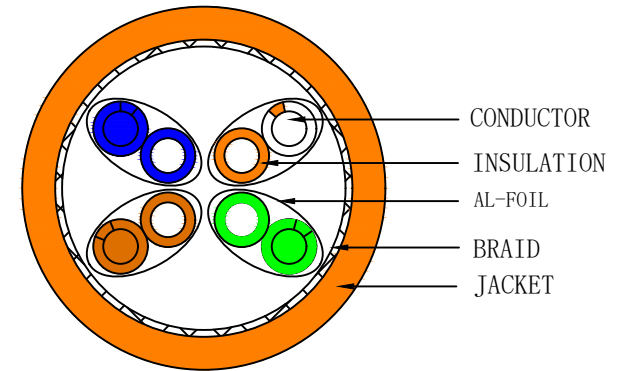
NO.		PARTS NAME	SPECIFICATION STANDARD	QT' Y	REMARK	CUSTOMER	AN	ITEM NO.			
						PRODUCT NAME	CAT. 7A S/FTP on the mobile spool	manufacture country:	CHINA	UNIT	MM
			NEW	2022-07-15	A	DRAWNBY	CHECKBY	APPOBY	DATE		
BY	CHK	REVISION RECORD MODIFICATIONS			DATE	REV.	SYNERGY21	SYNERGY21	SYNERGY21	2022-07-15	

SPECIFICATIONS

TITLE: CAT. 7A S/FTP SOLID CABLE 23AWG (1/0.585 BC*1P+AL-FOIL) × 4PAIR+BRAID (0.12/6/16) AL-MG LSZH JACKET OD: 7.7 ± 0.2MM

FILE AMEND NOTE	DATE	EDITION
ORIGINALITY EDITION	2022-07-15	A/0

VIEW:



ITEMS		UNIT	A (4P)			
CONDUCTOR	SIZE	AWG	23AWG			
	CONSTRUCTION	PCS/mm	1/0.585 ± 0.008mm			
	MATERIAL	/	BC			
	PICKS	mm	/			
INSULATION	MATERIAL	/	Foam-PE			
	DIA.	mm	1.38 ± 0.05mm	1.38 ± 0.05mm	1.38 ± 0.05mm	1.38 ± 0.05mm
	COLOR	/	BLUE/WHITE-BLUE	ORANGE/WHITE-ORANGE	GREEN/WHITE-GREEN	BROWN/WHITE-BROWN
	CONCENTRIC	%	≥90%	≥90%	≥90%	≥90%
	NOM. THICKNESS	mm	0.40 ± 0.05MM			
TWIST	CONSTRUCTION	/	1P	1P	1P	1P
	AL-FOIL	mm u	YES			
	MYLAR	mm u	/			
	CONTORT	%	/	/	/	/
	OVERLAPPING	%	>25%	>25%	>25%	>25%
	DIA.	mm	/	/	/	/
	PICK	mm	/			
TWIST	CONSTRUCTION	/	4P			
	MYLAR OVERLAPPING	mm u %	/			
	DRAIN WIRE	mm	/			
	AL-FOIL/OVERLAPPING	mm u %	/			
	FILLERS	/	/			
	PE SKELETON	mm	/			
BRAID/SHIERLD	CONSTRUCTION	/	0.12/6/16 AL-MG OVERLAPPING ≥40%			
JACKET	MATERIAL/COLOR	/	LSOH/95A Orange RAL 2003			
	OUTER DIA.	mm	7.7 ± 0.2mm			
	CONCENTRIC	%	≥80%			
	NOM. THICKNESS	mm	0.50 ± 0.1MM			

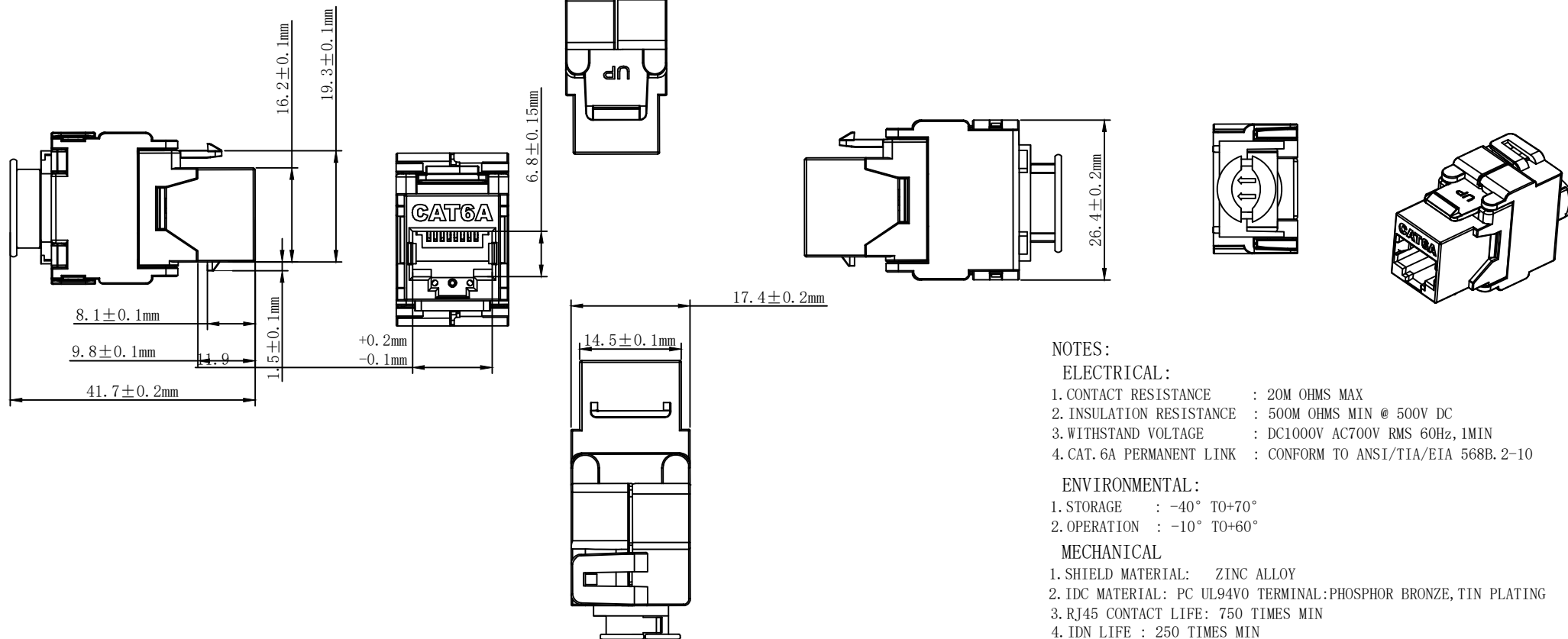
MARKING: CAT7A S/FTP 1200MHz 4x2x23AWG/1 LSZH ISO11801 & EN50173 & ANSI/TIA568C.2 XXXM (50M OR 90M) www.synergy21.de **CE**

NOTE:

1. Installation temperature 0-50°C
2. Operation temperature -20-75°C
3. RoHS 3.0 & REACH compliant
4. 3P Certified
5. CPR Class Eca Certified

SYNERGY21

CUSTOMER NAME	AN	NAME	CAT. 7A S/FTP Solid CABLE 23AWG		
ITEM NO.			PICTURE SHOWS	TOLERANCE	
manufacture country:	CHINA			X.	±1.00
APPROVED	AUDIT	DRAWING	UNITS	mm	
SYNERGY21	SYNERGY21	SYNERGY21	PAGE	1/1	



NOTES:

ELECTRICAL:

- CONTACT RESISTANCE : 20M OHMS MAX
- INSULATION RESISTANCE : 500M OHMS MIN @ 500V DC
- WITHSTAND VOLTAGE : DC1000V AC700V RMS 60Hz, 1MIN
- CAT. 6A PERMANENT LINK : CONFORM TO ANSI/TIA/EIA 568B. 2-10

ENVIRONMENTAL:

- STORAGE : -40° TO+70°
- OPERATION : -10° TO+60°

MECHANICAL

- SHIELD MATERIAL: ZINC ALLOY
- IDC MATERIAL: PC UL94V0 TERMINAL:PHOSPHOR BRONZE, TIN PLATING
- RJ45 CONTACT LIFE: 750 TIMES MIN
- IDN LIFE : 250 TIMES MIN
- RJ45 DIMENSION:11.9MM*9.8MM
- WEIGHT: 34.7G

TYPE

- SHIELDED CAT. 6A KEYSTONE JACK
- COLOUR:SILVERY WHITE

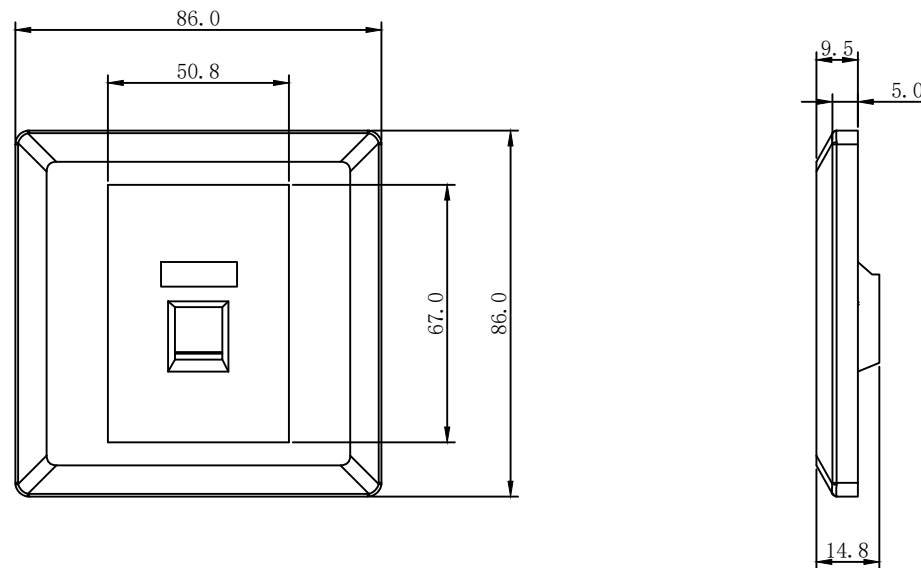
RoHS 3.0&REACH COMPLIANT

MATERIAL LIST:

⑦	MODULAR COVER	FIREPROOF PC UL94V0	1	
⑥	RJ 45 JACK INSERT	8P8C 3U" GOLD PLATED	8	
⑤	PCB	1.6mm UL 94V0	1	
④	IDC BODY	FIREPROOF/PC UL 94V0	1	
③	IDC PIN	PHOSPHOR BRONZE & TINNED	8	
②	LABEL COLOR CODE	T568A/B	2	
①	IDC TERMINAL	FOR 22-26AWG CABLE	1	
NO.	PARTS NAME	SPECIFICATION STANDARD	QT' Y	REMARK

SYNERGY21										
CUSTOMER	AN			ITEM NO.						
PRODUCT NAME	CAT. 6A STP KEYSTONE JACK	manufacture country:	CHINA	UNIT	MM					
	DRAWNBY	CHECKBY	APPOBY	DATE						
BY	CHK	REVISION RECORD MODIFICATIONS	DATE	REV.	SYNERGY21	SYNERGY21	SYNERGY21	2022-07-15		

NEW				2022-07-15	A	DRAWNBY	CHECKBY	APPOBY	DATE	
BY	CHK	REVISION RECORD MODIFICATIONS	DATE	REV.	SYNERGY21	SYNERGY21	SYNERGY21	2022-07-15		



Materials:

Outlet Housing: Fireproof ABS UL-94V0/Colour:RAL 9010

Outlet Base:Firepfoof ABS UL-94V0/Colour:RAL 9010

ACCESSORY :

1. Screw:M3*25mm*2pcs

RoHS 3.0 & REACH Compliant

SYNERGY21

						CUSTOMER	AN		ITEM NO.		
						PRODUCT NAME	FACE PLATE 1 PORT	manufacture country:	CHINA	UNIT	MM
		NEW		2022-07-15	A	DRAWNBY	CHECKBY	APPOBY	DATE		
BY	CHK	REVISION RECORD MODIFICATIONS			DATE	REV.	SYNERGY21	SYNERGY21	SYNERGY21	2022-07-15	