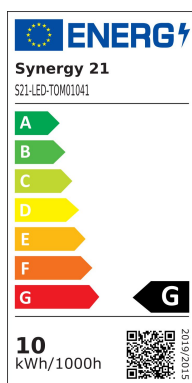
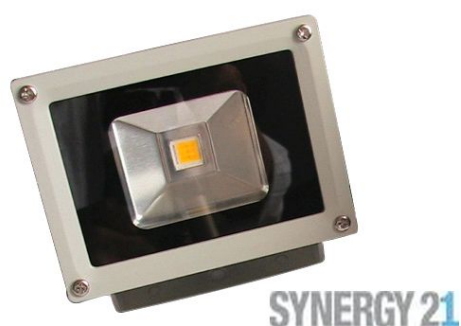
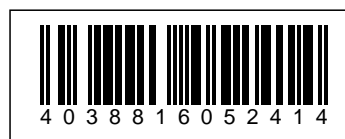


Synergy 21 LED Spot Outdoor floodlight 10W gray housing - blue V2



| | |
|----------------------------|------------|
| kwh/1000h: | 10,00 |
| Lumens: | 900 |
| Watt: | 10,0 |
| Nominal Service Life: | 35000 Std. |
| Switching Cycles: | 50000 |
| Opt. Ambient Temperature.: | 25 °C |



With emergency power function (from 80V approx. 20% brightness) and reversible overheating protection
Dimmable (leading edge and trailing edge phase dimmer)
Single-pane safety glass
Stainless steel mounting bracket
IP65 suitable outdoor cable H05RNF without plug (0.7m)

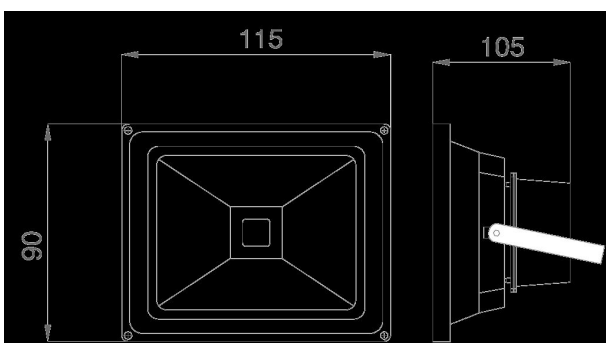
With emergency power function and overheating protection
Operating voltage: > AC 207-253V/50-60Hz
LED: 10Watt high-power chip
Beam angle: 120°
Range approx. 15 metres
Lumen: 900lm, 90lm/watt
Blue: 460-470nm
Housing: Injection-moulded aluminium in grey
Dimmable: yes (leading edge and trailing edge phase dimmer)
Operating temperature: -10°C to +55°C
Protection class: IP65 (water jet-proof)
Dimensions: (l*w*h) 115*90*105mm

Energy efficiency class: A+
kWh/1000h: 10

Attributes

| Attribute | Value |
|------------------------|-----------------|
| Abstrahlwinkel: | 120 |
| Betriebstemperatur: | -25°C bis +55°C |
| CRI: | >80 |
| Dimmbar: | TRIAC |
| Grösse: | 115*90*105 |
| LED - Gehäusefarbe: | grau |
| LED - Gehäusematerial: | Aluminium |
| Lichtfarbe: | blau |
| Schutzklasse: | IP65 |
| Volt: | 230 |
| Weight: | 0.69 Kg |
| Warranty: | 60.00 Months |

Additional Images



Accessories

| Part No. | Name |
|----------|---|
| 82434 | Finder Twilight Switch suitable for Synergy 21 LED outdoor spotlight |
| 148726 | Synergy 21 - Waterproof connector 1:1 |
| 148727 | Synergy 21 - Waterproof connector 1:2 |
| 148730 | Synergy 21 - Waterproof connector box 3 ports |
| 148729 | Synergy 21 - Waterproof connector box 3 ports transparent |
| 148728 | Synergy 21 - Waterproof connector box 4 ports |
| 134568 | Finder motion detector IP55 |
| 113414 | Finder motion detector IP54 |
| 147265 | Netzkabel 230V Schutzkontakt CEE7(Stecker)->Open End mit Adernendhülsen, 1,8m,Black |