

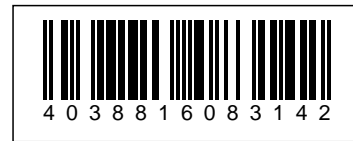


No. d'article: 159709  
Numéro de fabricant: ALL-CAM24xx\_Pole\_Mount

## ALLNET IP-Cam MP Outdoor ALL-CAM24xx zbh. Pole-Mount/Masthal



EAN CODE

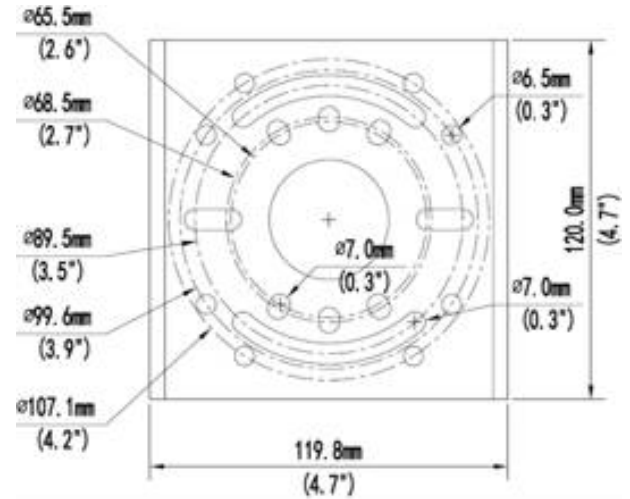


Outdoor, pole or rail installation for following ALLNET ALL-CAM2496/ALL-CAM2495/ALL-CAM2497

Please note: Junction-Box is extra needed for your specific IP-Camera

Bracket	ALL-CAM24xx zbh. Pole-Mount/Masthalter
Application	Outdoor, pole or rail installation
Dimensions(L x W x H)	120mmx120mmx53.4mm(4.7"x4.7"x2.1")
Weight	0.45kg(0.99lb)
Material	Galvanized sheet

## Images supplémentaires



## Accessoires

No. d'article	Désignation
99305	ALLNET TP Cat 6 Überspannungs-/Blitzschutz Surge Protector ALL95100 Indoor
186548	ALLNET PoE Injektor Gigabit PoE & PoE+ (15,4W/30W) / Kunststoffgehäuse / "ALL0488v6"
112270	ALLNET PoE Injektor Gigabit / PoE & PoE+ & PoE & LT PoE (15,4W/30W/60W/90W) / Metallgehäuse / "ALL048900v2"
113046	ALLNET Switch unmanaged 4 Port Gigabit 300W / 4x LT PoE 90W / 1x LT PoE In / Lüfterlos / "ALL048605PD"
99315	ALLNET Switch unmanaged 8 Port Gigabit 63W / 4x PoE+ / 4x LAN / Lüfterlos / 19" / "ALL8804PoE+"
93392	ALLNET Switch unmanaged 8 Port Gigabit 150W / 8x PoE+ / 4x LAN / Lüfterlos / 19" / "ALL8808POE"
193997	ALLNET Switch smart managed 8 Port Gigabit 150W / 8x PoE+ / 2x SFP / Lüfterlos / 19" / "ALL-SG8610PM"
137466	ALLNET Switch full managed 8 Port Gigabit 240W / 8x PoE+ / 2x LAN oder 2x SFP / 19" / "ALL-SG8910PM"
183826	ALLNET Switch smart managed 24 Port Gigabit 500W / 24x PoE+ / 4x SFP / 19" / "ALL-SG8824PMv2"
146999	ALLNET PoE USV Backup - USV für Kameras, Accesspoints ALL90011PoE