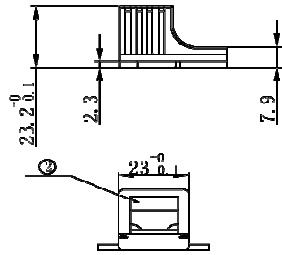
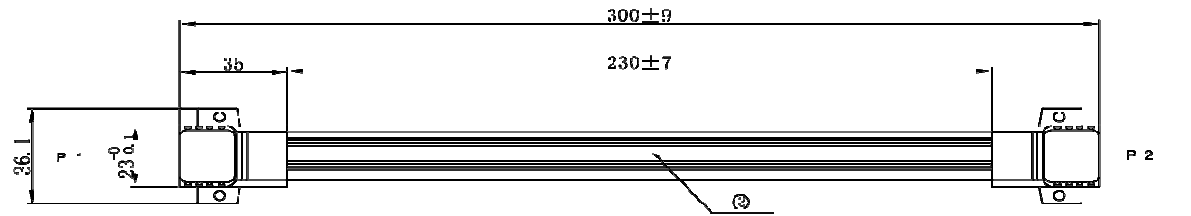
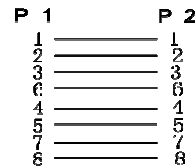


	REVISED	DR	APP



WIRING DIAGRAM



NOTE:

- 100% OPEN SHORT, MISS WIRE TEST
- RoHS Compliant
- Operating temperature: -50°C ~ 160°C
- Attachment: fixing screws * 1
adhesive pads * 2



MATERIAL LIST:

NO.	PARTS NAME	SPECIFICATION DESCRIPTION	QTY	REMARK
①	PCB	0.30mm ultra flat, flexible, golden	1	
②	RJ45 Female	8P1B	2	
③	Shell	ABS BLACK	1	

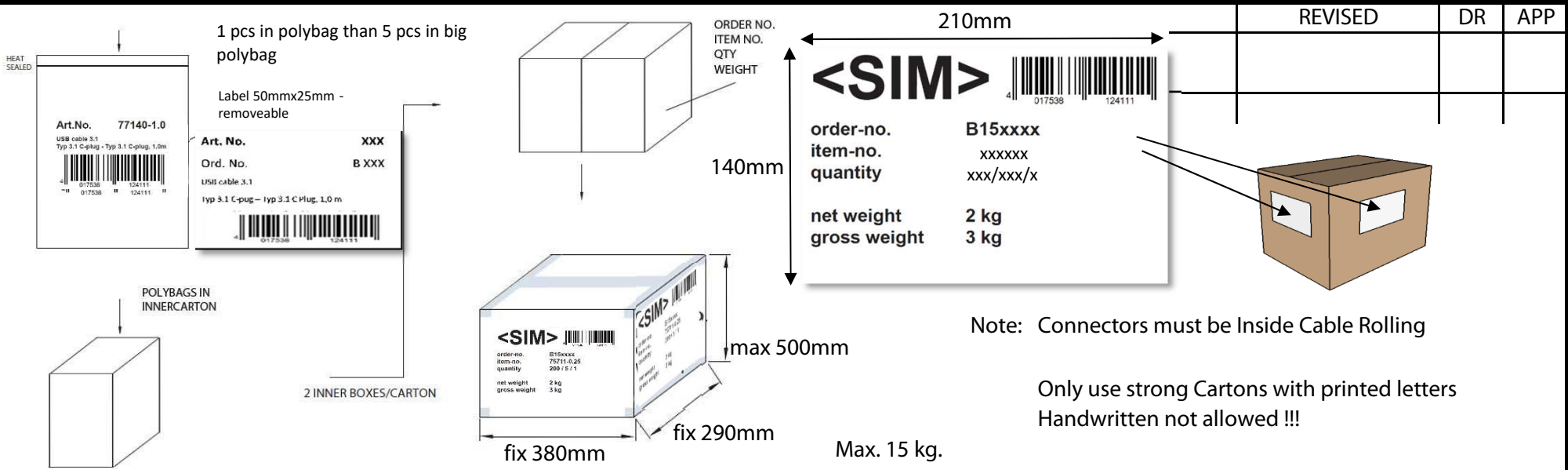
Ultra-flat LAN feedthrough for windows, balconies, caravans and doors
 Saves wall holes or other recesses
 Ideal for quick installation

- Connections: RJ45 female to RJ45 female
- Assigned pins: 8 (1:1)
- Special features: 0.3mm flat, weather resistance
- Cable: flat, PCB film
- max. transmission rate: ~10 Mbit/s (2-3 MB/s)
- Incl. mounting material: 2x adhesive pads, 4x screws
- Color: cable bronze, RJ45 sockets black
- Length: cable 22,5cm, with RJ45 sockets 30,0cm



1	CONNECTORS	RJ 45 female - RJ 45 female
2	MOLDING	
3	CABLE	PCB FILM
NO	PART NAME	

DESCRIPTION		RJ 45 JACK - RJ 45 JACK LAN FEEDTROUGH					
SIZE	A4	DATE	19.09.2018	CHECKED		TOL	08-01010
UNIT	MM	DRAWN	R.Hueller	APPROVED			
CUSTOM TARIF NO.: 85369010							



ART.NO.	LENGTH	ROLLING SIZE	NET.WEIGHT (g)	PACKING	EAN CODE
08-01010	300mm	300x55x30mm	27g	500 EXP / 250 INNER - 1 pcs in pb with st.	4017538104229

DESCRIPTION		RJ 45 JACK - RJ 45 JACK LAN FEEDTROUGH				
SIZE	A4	DATE	19.09.2018	CHECKED		08-01010
UNIT	MM	DRAWN	R.Hueller	APPROVED		
CUSTOM TARIF NO.: 85369010						