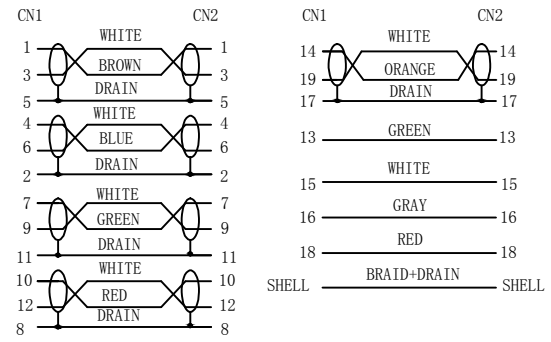


PIN OUT



NOTE:

1. Electrical test:
 - (1). 100% open short & miss wire test;
 - (2). Insulation resistance: DC 300V 10M ohm;
 - (3). Contactor resistance: 3 ohm;
 - (4). Dielectric strength: 150V AC/Sec, 1mA.
 - (5) Computer + HDTV TEST 3840*2160@60Hz 4:4:4 8bit
2. RoHS2.0 AND REACH COMPLIANT
3. PRINT WORD: High Speed HDMI® Cable with Ethernet E***** 兄 AWM STYLE 20276 80°C 30V VW-1
4. PACKING: 1PC/SYNERGY 21 Bag A Bag+LABLE 1, 10PCS/PE bag+LABLE 2, inner carton+outer carton+LABLE 3

MATERIAL LIST:

④	OUTER MOLD	PVC 88A Black	2	
③	INNER MOLD	LD-PE	2	
②	HDMI Connector	19P A/Male The Pin Gold Plated, The Shell Gold Plating	2	
①	CABLE	(30AWG BC*1P+E+AM)*5P+30AWG BC*4C+AEB PVC/Black OD6.0±0.2mm	1	

ITEM NO	LENGTH	PACKING
S215412V2	500 ± 30mm	SYNERGY 21 Bag
S215413V2	1000 ± 30mm	SYNERGY 21 Bag
S215414V2	2000 ± 50mm	SYNERGY 21 Bag
S215415V2	3000 ± 70mm	SYNERGY 21 Bag
S215417V2	1500 ± 30mm	SYNERGY 21 Bag

NO.	PARTS NAME	SPECIFICATION STANDARD	QT' Y	REMARK
		NEW	2019-09-26	A
BY	CHK	REVISION RECORD MODIFICATIONS	DATE	REV.

SYNERGY 21							
CUSTOMER	AN			ITEM NO.	SEE THE CHART		
PRODUCT NAME	HDMI2.0b 19P AM-AM WITH ETHERNET 30AWG			manufacture country:	CHINA	UNIT	MM
DRAWNBY	SYNERGY 21	CHECKBY	SYNERGY 21	APPOBY	SYNERGY 21	DATE	2019-09-26