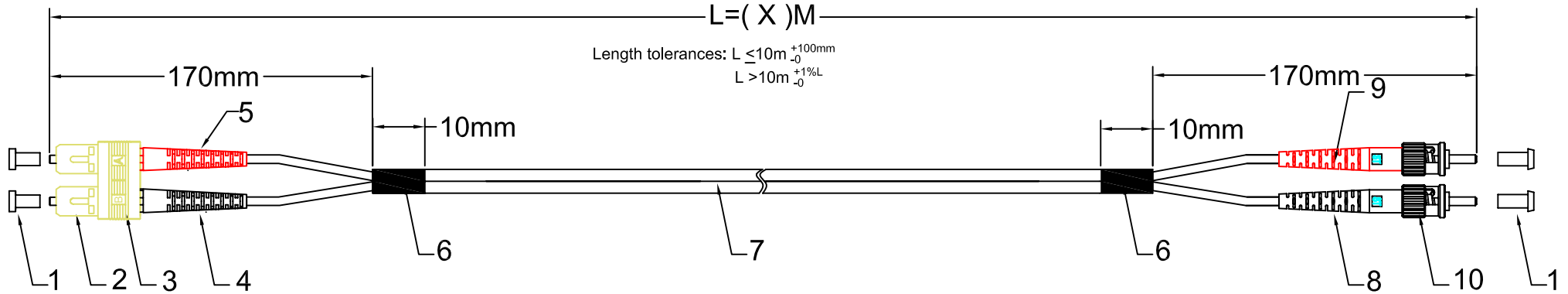


SC - ST Duplex Jumper, I-V(ZN)H 02G 50/125 μ OM4, LSZH Violet Jacket, x meter



Specifications:

1. Insertion Loss: < 0.3dB @850nm
2. End surface test is according to OP-03-05001
3. Test standard: GR-326-CORE
4. Test report has to match the serial No.
5. RoHS compliant
6. Fiber cable according to IEC 60793-2
7. SC connector according to IEC 61754-4
ST connector according to IEC 60874-10

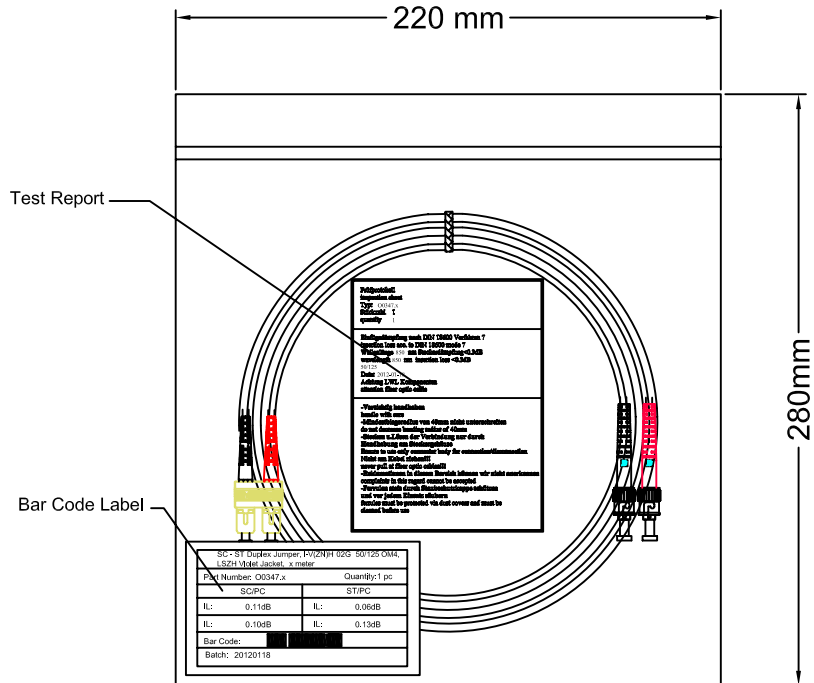
**RoHS
compliant**

10	ST MM 3.0 connector	2
9	ST 3.0 boot, red	1
8	ST 3.0 boot, black	1
7	Ø3.0mm MM duplex OM4 50/125 μ LSZH Violet cable	
6	Heat shrink tube, black	2
5	SC 3.0 boot, red	1
4	SC 3.0 boot, black	1
3	SC clip, beige	1
2	SC MM 3.0 connector, Beige	2
1	Dust cover	4
Item	Description	Qty

SC - ST Duplex Jumper, I-V(ZN)H 02G 50/125 OM4, LSZH Violet Jacket, x meter	
Part No: O0347.X	
Drawing No:	Page :1 of 3

Packing:


The corresponding label data for each cable assembly shall be affixed to the package



9# PE Bag(220mm x 280mm)

Prüfprotokoll inspection sheet Typ: O0347.x Stückzahl 1 quantity 1
Einfügedämpfung nach DIN 18600 Verfahren 7 insertion loss acc. to DIN 18600 mode 7 Wellenlänge 850 nm Steckerdämpfung<0.3dB wavelength 850 nm insertion loss <0.3dB 50/125 Date: 2012-01-18 Achtung LWL Komponenten attention fiber optic cable
-Vorsichtig handhaben handle with care -Mindestbiegeradius von 40mm nicht unterschreiten do not decrease bending radius of 40mm -Stecken u. Lösen der Verbindung nur durch Handhabung am Steckergehäuse Ensure to use only connector body for connection/disconnection Nicht am Kabel ziehen!!! never pull at fiber optic cables!!! -Reklamationen in diesem Bereich können wir nicht anerkennen complaints in this regard cannot be accepted -Ferrulen stets durch Staubschutzkappe schützen and vor jedem Einsatz säubern and vor jedem Einsatz säubern ferrules must be protected via dust covers and must be cleaned before use

Test Report

SC - ST Duplex Jumper, I-V(ZN)H 02G 50/125 OM4, LSZH Violet Jacket, x meter	
Part Number: O0347.x	Quantity: 1 pc
SC/PC	ST/PC
IL: 0.11dB	IL: 0.06dB
IL: 0.10dB	IL: 0.13dB
Bar Code:	
Batch: 20120118	

Bar Code Label(100mmx60mm)

RoHS compliant

SC - ST Duplex Jumper, I-V(ZN)H 02G 50/125 OM4, LSZH Violet Jacket, x meter	
Part No: O0347.X	
Drawing No:	Page :2 of 3

Indoor Cable Series (Duplex)

1. Characteristics

- . Aramid yarn strength member ensures tension resistance and long term stability in transmission
- . Figure 8 structure jacket facilitate embranchment
- . Small outer diameter, lightweight
- . Flame-retardant jacket, halogenfree
- . Low attenuation

2. Applications

- . Installation in conduits and shafts
- . Indoor distribution
- . Jumper and adapter cable
- . Connecting workstations inside buildings(FTTD)

3. Temperature Range

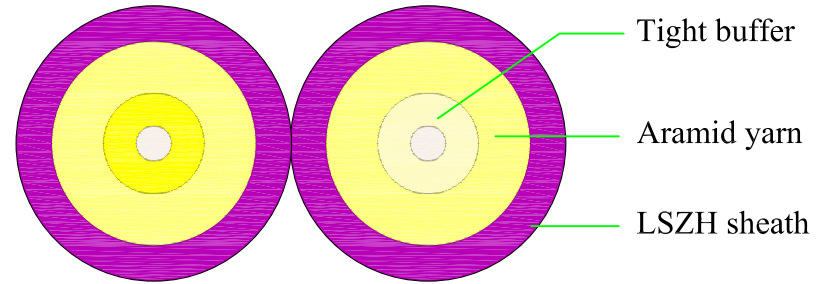
-20°C up to +70°C

4. Fiber Optic Cable Performance

- . Number of fibers: 2
- . Outer diameter: 2.8x5.7 mm
- . Nominal weight: 13.2 kg / km
- . Max. tension: 300 N (short - term)
160 N (long - term)
- . Min. Bending Radius: 20 H (Dynamic)
10 H (Static)
- . Max . Crush Resistance (N/100 mm²): 1000
- . Complies with TIA/EIA-568 B.3 & Bellcore GR-409-CORE & OFNR-UL/CSA FT-4
- . Maximum Attenuation: ≤ 2.3dB @850nm
≤ 0.6dB @1300nm
- . OFL Bandwidth: ≥ 3500MHz-km@850nm
≥ 500MHz-km@1300nm
- . 10 Gigabit Ethernet SX: 550m@850nm

5. Cable Specification

- . Fiber type: Multimode 50/125μ m OM4
- . Violet jacket , LSZH



**RoHS
compliant**

SC - ST Duplex Jumper, I-V(ZN)H 02G 50/125 OM4, LSZH Violet Jacket, x meter	
Part No: O0347.X	
Drawing No:	Page :3 of 3