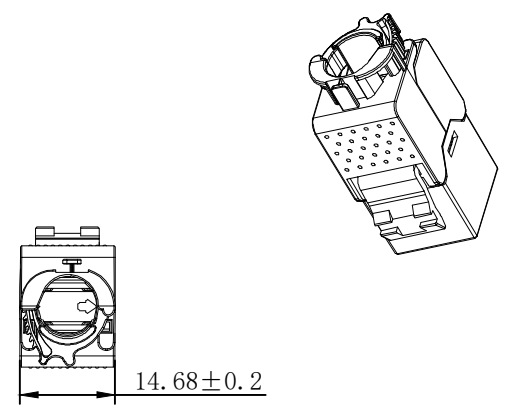
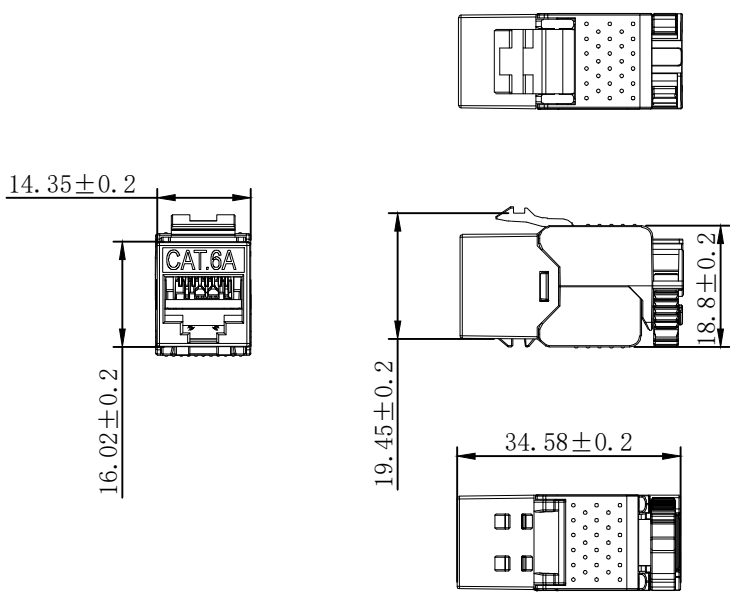


MATERIAL LIST:

- 1.wall box: ABS
- 2. Accessories
- cable tie: 4 PCS 2.5*80MM
- SCRW: 2PCS ST4*20MM
- 3.Applicable cable diameter:OD 8.2MM Max
- 4. ROHS 2.0 AND REACH COMPLIANT

| | | | | | | | |
|--------------|-----------------|-------------------------------|-------|----------|------------|------------|------------|
| SYNERGY 21 | | | | | | | |
| CUSTOMER | | | | ITEM NO. | S216342 | | |
| PRODUCT NAME | 4 port wall box | manufacture country: | CHINA | UNIT | MM | | |
| | NEW | 2017-04-21 | A | DRAWNBY | CHECKBY | APPOBY | DATE |
| BY | CHK | REVISION RECORD MODIFICATIONS | DATE | REV. | SYNERGY 21 | SYNERGY 21 | SYNERGY 21 |



NOTES:

ELECTRICAL:

- Contact Resistance : $20M\Omega$ MAX
- Insulation Resistance : $500M\Omega$ MIN @ 500V DC
- Withstand Voltage : DC 1000V AC 700V RMS 60Hz, 1MIN
- Compliance with Class EA up to 500 MHz to ISO/IEC 11801 Ed.2.2:2011-06
DIN EN 50173-1:2011-09
TIA/EIA-568-C.2 (2009-08)
IEC 60603-7 Ed.1 (12/2008)

ENVIRONMENTAL:

- Storage temperature : -40° TO $+70^{\circ}$
- Operation temperature : -10° to $+60^{\circ}$

MECHANICAL

- SHIELD MATERIAL: ZINC ALLOY
 - IDC MATERIAL: PC TERMINAL:PHOSPHOR BRONZE, TIN PLATING
 - RJ45 Contact Life: 750 Times Min
 - Plug inforce: $<30N$
 - Solid cable: $1/22AWG(0.65MM)-1/26AWG(0.40MM)$ ID: $1.05MM-1.5MM$
 - Cable OD: $5.0mm-8.0mm$
 - PoE per IEEE 802.3af, PoE+ per IEEE 802.3at
 - 360° Shield connection
- Packing: 1pc/PE bag+lable
(copper foil included)
RoHS 3.0 and REACH Compliant

MATERIAL LIST:

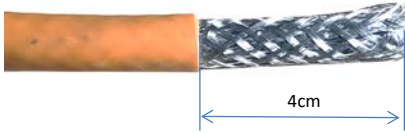
| ⑦ | IDC TERMINAL | FOR 22-26AWG (0.45mm-0.65mm) CABLE | 1 | |
|-----|-------------------|------------------------------------|------------|--------|
| ⑥ | LABEL COLOR CODE | T568A/B | 2 | |
| ⑤ | IDC PIN | PHOSPHOR BRONZE & TINNED | 8 | |
| ④ | IDC BODY | FIREPROOF/PC UL 94V0 | 1 | |
| ③ | PCB | 1.2mm UL 94V0 | 1 | |
| ② | RJ 45 JACK INSERT | PHOSPHOR BRONZE 8P8C GOLD PLATED | 8 | |
| ① | MODULAR COVER | ZINC ALLOY | 1 | |
| NO. | PARTS NAME | SPECIFICATION DESCRIPTION | QT'Y | REMARK |
| | | NEW | 2022-12-06 | A |
| BY | CHK | REVISION RECORD MODIFICATIONS | DATE | REV. |

SYNERGY21

| | | | | | |
|--------------|--|----------------------|------------|------|----|
| CUSTOMER | | ITEM NO. | S216382 | | |
| PRODUCT NAME | Super slim Cat.6A/Class EA Keystone Jack | manufacture country: | CHINA | UNIT | MM |
| DRAWNBY | CHECKBY | APPOBY | DATE | | |
| SYNERGY21 | SYNERGY21 | SYNERGY21 | 2022-12-06 | | |

Installationsanleitung/Installation guide

Keystone Jack



①.Stripping 4cm of sheath.



②.foldback braided and drained wire.



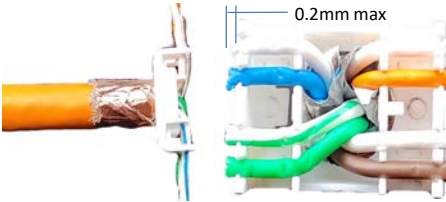
③.paste copper foil on the braided and ground wire and cut off the excess weave and the ground wire



④.4.Fan out all four twisted pairs, allocate each by following colorcoding label



⑤.Across the holde by the color marks of T568A or T568B



⑥. allocate each conductor into proper slots on wiring cap by following color coding



⑦.Trim the theends of conductors.



⑧.install the termination cap in direction of arrow into the keystone jack



⑨.press both covers of the keystone jack to contact the cable



⑩.Fasten smart cable ties for 360 degree shielding