

Colored Coating Fiber: 250um±15um
 Inner Jacket: black
 Polyester yarn
 Outer Jacket: White (RAL9001) 2.2mm±0.2mm



ITEM NO.	LENGTH	FIBER	Color
S215571.20m	20M	G657.A2	White
S215571.40m	40M	G657.A2	White
S215571.60m	60M	G657.A2	White

Tension (Short Term)	120N, no change in attenuation after the test, no sheath damage
Tension (Long Term)	60N, no change in attenuation
Crush (Short Term)	500N/100mm, no fiber breakage, no sheath damage
Crush (Long Term)	100N/100mm, no change in attenuation

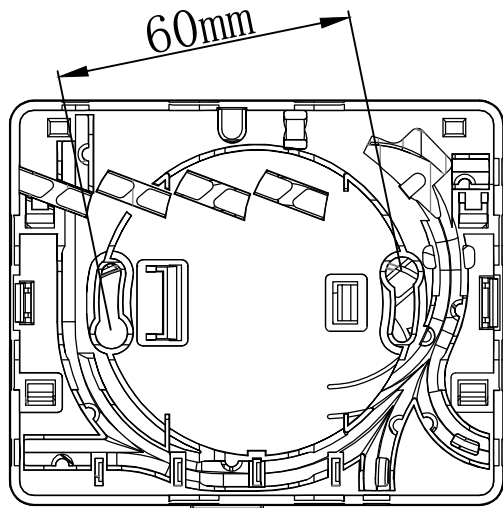
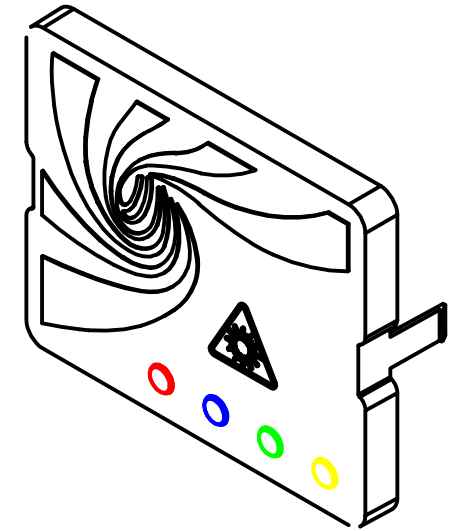
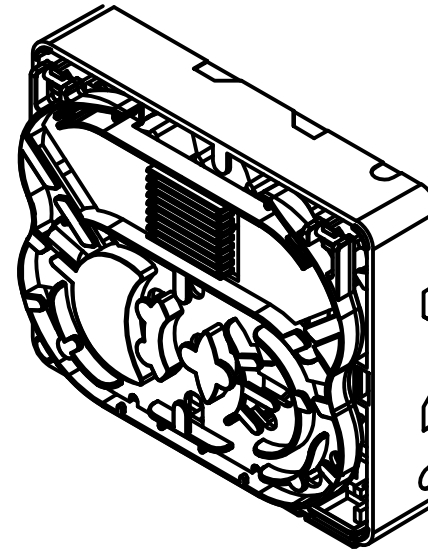
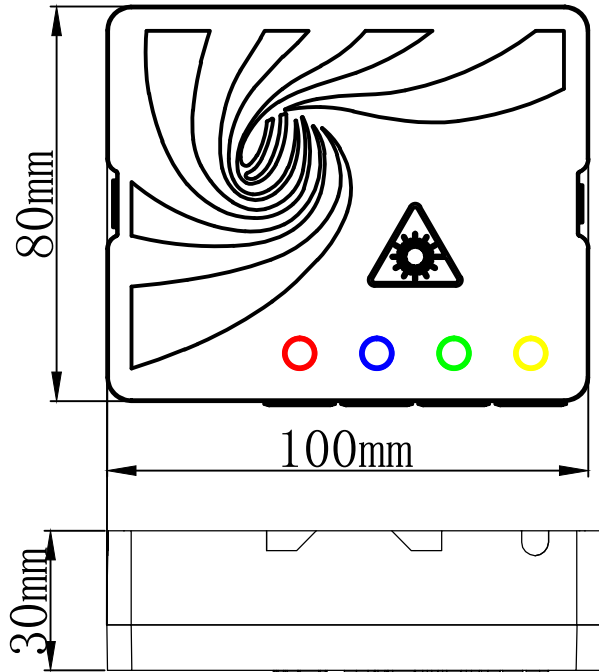
Note:
 1. Grade Designation: Each to Reference
 2. ROHS 2.0 (EU)/2015/863 and REACH Compliant
 3. Bending insensitive fiber

Type	Single-Mode
Insertion Loss	≤ 0.30dB
Return Loss	≥ 60dB
Test Wavelength	1310nm

Packing: 1pcs/Paper shaft + test report

⑨	0.9 Tube Hytrel Color:Red	560mm	
⑧	0.9 Tube Hytrel Color:Blue	565mm	
⑦	Heat Shrink Tubing	170mm	
⑥	Fanout Heat Shrink Tubing	1	
⑤	FIBER OPTICAL CABLE G657.A2 2C 250um Blue Red with KEVLAR Jacket LSZH OD: 2.2mm Color:White Printing: FIBER OPTICAL CABLE 2FO SM 9/125um G657.A2 LSZH HT CPR Eca MM/YYYY XXXXm	Xm	
④	LC White Dust Cap	2	
③	LC/APC 8° Ferrule	2	
②	LC SM 0.9 Green Connector	2	
①	LC 0.9mm Green Boot	2	
NO	SPECIFICATION STANDARD	QT'Y	REMARK

SYNERGY 21					
Cancel Ring (1) (2)	2021-06-07	A2	CUSTOMER	ITEM NO.	see the chart
Add cable specification	2020-03-02	A1	PRODUCT NAME	2 cores LC/APC 8° fiber cable	Manufacture country
NEW	2019-04-24	A	DRAWNBY	CHECKBY	APPOBY
BY	CHK	REVISION RECORD MODIFICATIONS	DATE	REV.	SYNERGY 21
					CHINA
					UNIT
					mm
					DATE
					2019-04-24



Note:

Tolerance : $\pm 2\text{mm}$

ABS+PC material, White

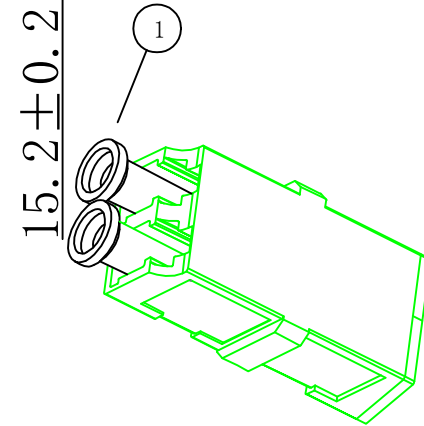
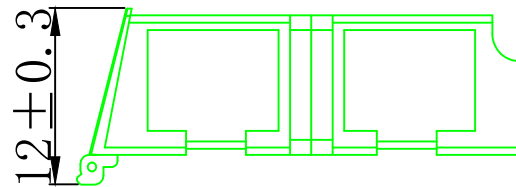
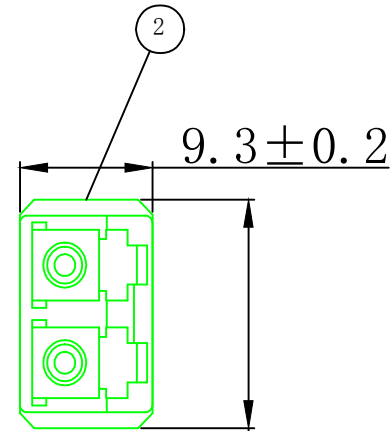
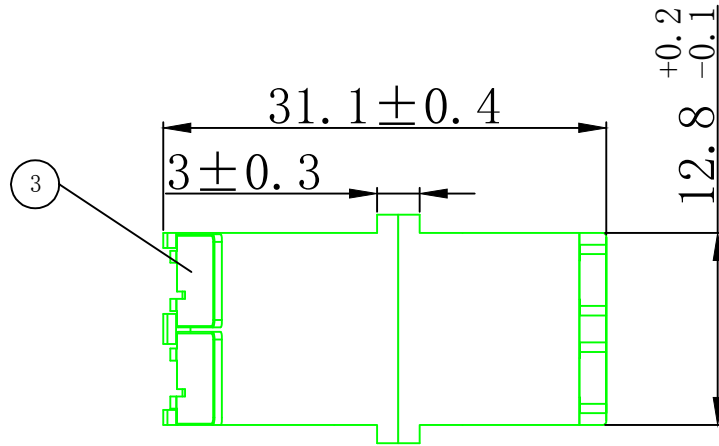
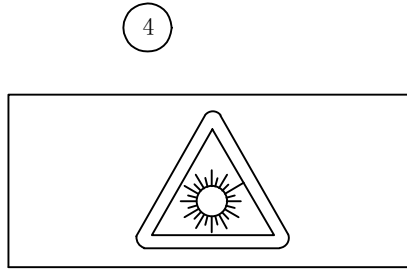
Accessory:

Screw ST4.0*25mm sets: 2 sets

Cable Tie 2.2*80mm x 4 pcs

PACKING: 1PCS/PE BAG

SYNERGY 21									
CUSTOMER					ITEM NO.		See the chart		
PRODUCT NAME		FTTH Box 4 Core			Manufacture country		CHINA	UNIT	mm
BY		CHK		NEW		DATE		2019-04-23	
REVISION RECORD		MODIFICATIONS		DATE		REV.		2019-04-23	
DRAWNBY		CHECKBY		APPOBY		DATE		2019-04-23	
SYNERGY 21		SYNERGY 21							



NOTE:
RoHS 2.0 & Reach COMPLIANT

Typical Insertion Loss(dB)	≤0.12
Insertion Loss(dB)	≤0.20
Operating Temperature(° C)	-40 ~+80
Storage Temperature(° C)	-40 ~+85

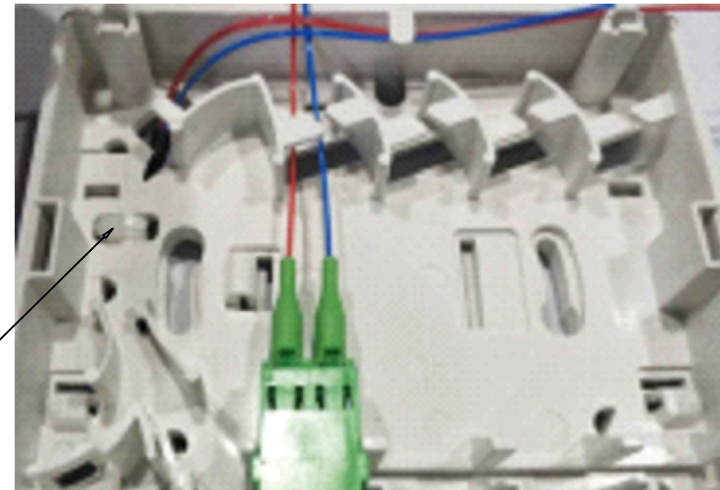
MATERIAL LIST:

④	Note that the laser label (Red Blue)	2pcs	
③	White Dust Cap	2pcs	
②	LC Green Housing (SC simplex footprint)	1pcs	
①	LC White Dust Cap	2pcs	
NO.	SPECIFICATION STANDARD	QT' Y	REMARK

SYNERGY 21					
CUSTOMER		ITEM NO.	See the chart		
PRODUCT NAME	LC/APC Green (Ceramic) Duplex Adapter(With External Laser Protection Shutter) w/o flange	Manufacture country	CHINA	UNIT	mm
DATE	2019-04-23	REV.	A	DRAWNBY	CHECKBY
BY	CHK	REVISION RECORD MODIFICATIONS	DATE	SYNERGY 21	SYNERGY 21
				APPOBY	DATE
					2019-04-23



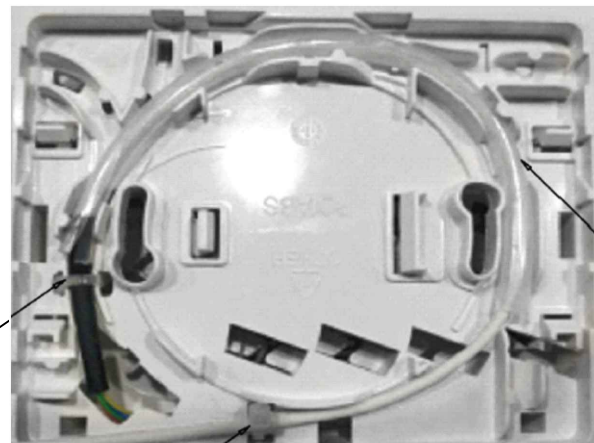
Two laps



Cable tie

Red Blue

Adapter label



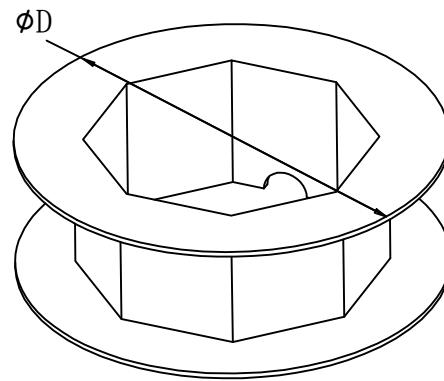
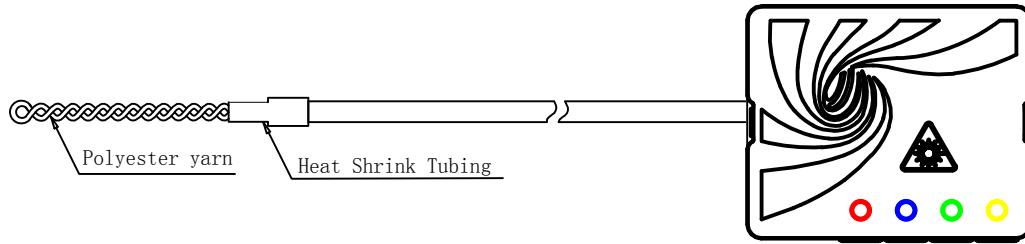
Cable tie

Transparent tube 135mm

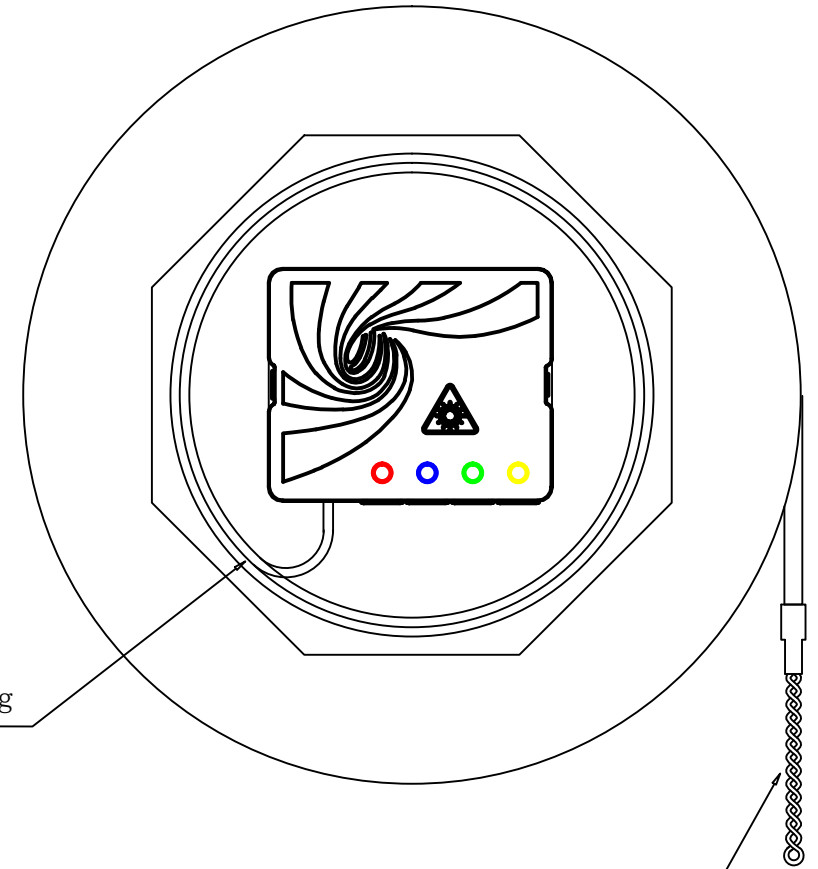
Cable tie

										SYNERGY 21					
						CUSTOMER				ITEM NO.		see the chart			
						PRODUCT NAME		Assemble		Manufacture country		CHINA	UNIT	mm	
		NEW		2019-04-24		A		DRAWNBY		CHECKBY		APPOBY		DATE	
BY	CHK	REVISION RECORD MODIFICATIONS			DATE	REV.	SYNERGY 21	SYNERGY 21			2019-04-24				

End-product drawing

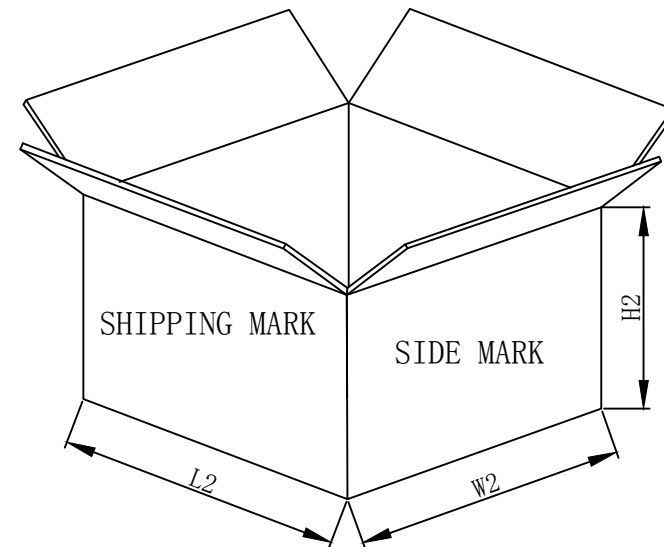
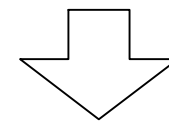
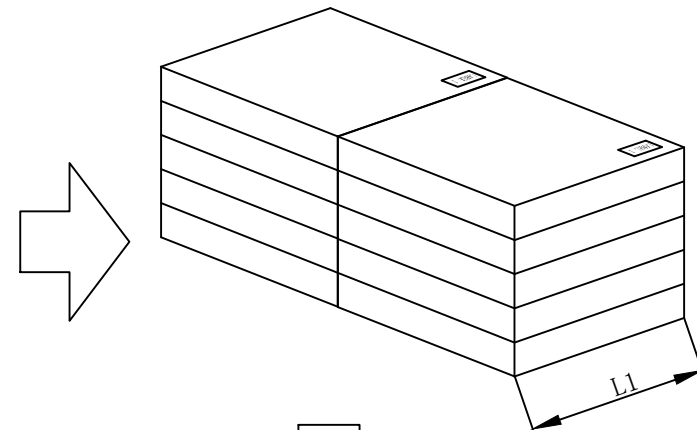
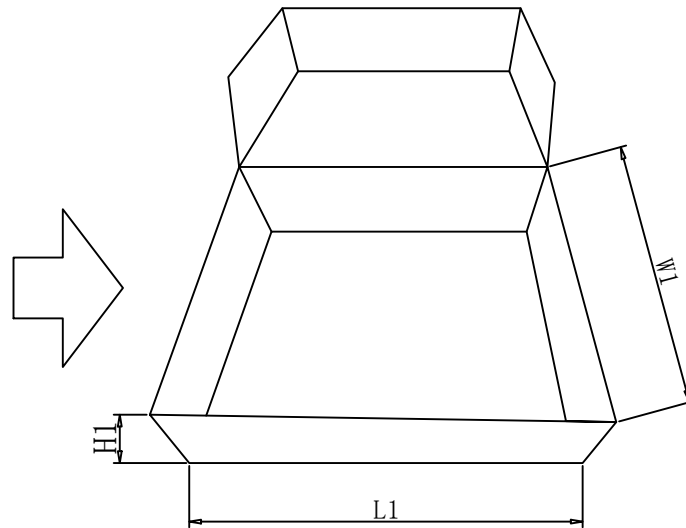
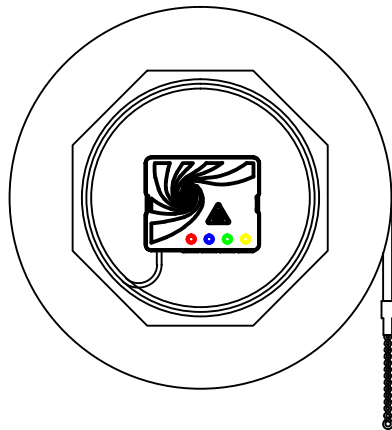


Paper shaft



1pcs/Paper shaft + Test report + Accessory

										SYNERGY 21		
				CUSTOMER				ITEM NO.		See the chart		
				PRODUCT NAME		Assemble		Manufacture country		CHINA	UNIT	mm
				NEW		2019-04-24		A		DATE		
BY	CHK	REVISION RECORD MODIFICATIONS				DATE	REV.	SYNERGY 21	SYNERGY 21	2019-04-24		
				DRAWNBY		CHECKBY		APPOBY		DATE		
				SYNERGY 21		SYNERGY 21				2019-04-24		



ITEM NO.	LENGTH	FIBER	Color
S215571. 20m	20M	G657. A2	White
S215571. 40m	40M	G657. A2	White
S215571. 60m	60M	G657. A2	White

Packing: 1pcs/Inner box 10pcs/Big carton

SYNERGY 21									
					CUSTOMER		ITEM NO.	see the chart	
					PRODUCT NAME	PACKING	Manufacture country	CHINA	UNIT mm
			NEW	2019-04-24	A	DRAWNBY	CHECKBY	APPOBY	DATE
BY	CHK		REVISION RECORD MODIFICATIONS	DATE	REV.	SYNERGY 21	SYNERGY 21		2019-04-24