

Synergy 21 LED HID Mais Smartmodul Mikrowellensensor für ii



Microwave sensor smart module for retrofit with ii

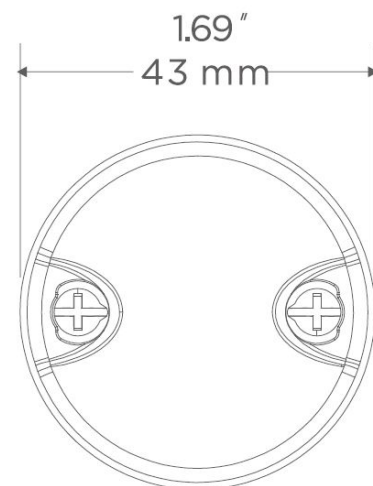
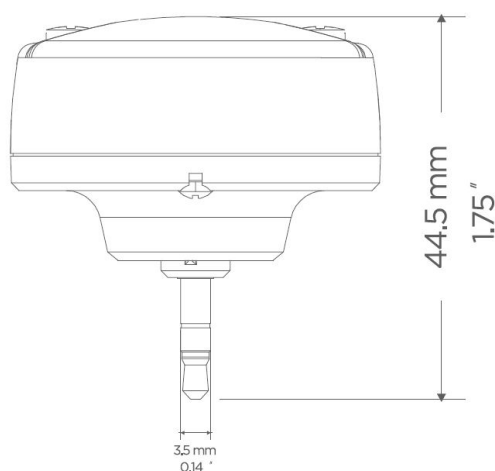
Voltage: 15V DC
Current: 20mA
Sensing angle: 120
Protection class: IP20
Operating temperature: -20° to +60°
Frequency: 5.8 GHz
Sensor detection range: 10m
One module for one lamp.
Length: 44.5mm
Width: 43mm
Plug dimension: 3.5mm

Attributes

Attribute	Value
Abstrahlwinkel:	180
CRI:	>80
Dimmbar:	nein

Attribute	Value
Lichtfarbe:	neutralweiss
Lichtfarbe in Kelvin:	4500
Lumen:	5400
Schutzklasse:	IP64
Socket:	E27
Weight:	0.02 Kg
Warranty:	60.00 Months

Additional Images



Accessories

Part No.	Name
117502	Synergy 21 LED adapter for LED lamps E40->E40 long