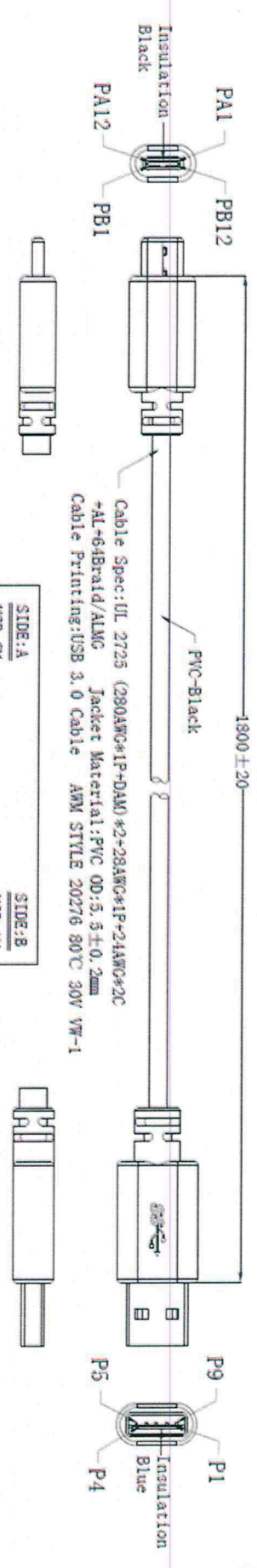
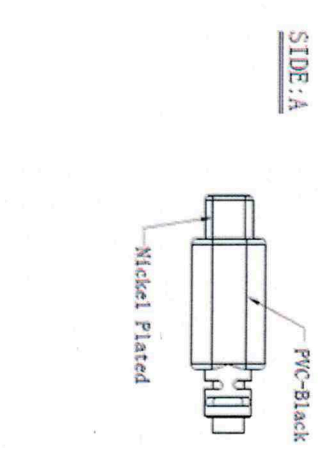


REVISED	DR	APP
---------	----	-----

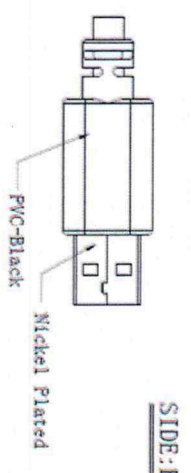


Cable Spec: UL 2725 (280AWG*1P+DAM)*2+28AWG*1P+24AWG*2C+AL+64Braid/ALM
 -AL+64Braid/ALMG Jacket Material: PVC OD: 5.5±0.2mm
 Cable Printing: USB 3.0 Cable AMM STYLE 20276 80°C 30W VW-1



SIDE:A		SIDE:B	
USB OM		USB AM	
A4+B4+A9+B9	red	1	
A6	white	2	
A7	green	3	
A1+B1+A12+B12	black	4+7	
A2	blue	5	
A3	yellow	6	
A1+B1+A12+B12	drain	4+7	
B10	orange	8	
B11	purple	9	
A1+B1+A12+B12	drain	4+7	
Shell	braid	4+7	Shell

PIN OUT



3	Imprint	USB Shielded Super High Speed Cable 3.0
2	Connectors	USB 3.1 Typ C - USB 3.0 Typ A, Nickel plated
1	Cable	(280AWG*1P+DAM)*2+28AWG*1P+24AWG*2C+AL+64Braid/ALMG, Jacket Black PVC OD = 5.5mm
NO	ITEM	DESCRIPTION

DESCRIPTION USB cable , 3.1 C-plug - 3.0 A-plug

SIZE	A4	DATE	30.03.2015	CHECKED		TOL	
UNIT	MM	DRAWN	C.Motzek	APPROVED			
CUSTOM TARIFF NO.: xxx							77141

