

KL1508A (KL1508AM: 17" LCD; KL1508AN: 19" LCD)

KL1516A (KL1516AM: 17" LCD; KL1516AN: 19" LCD)

8/16-Port Cat 5 High-Density Dual Rail LCD KVM Switch

- ATEN ALTUSEN KL1508A / KL1516A LCD KVM Switch features independently retractable, dual slide 17" or 19" LED-backlit LCD monitor and keyboard with built-in touchpad. The KL1508A and KL1516A KVM switches are control units that allow IT administrators to access and control multiple computers from the LCD console and an extra PS/2 or USB KVM console.

For increased reliability and efficiency, RJ-45 connectors and Cat 5e/6 cable are used to link to the computers. Utilizing KVM Adapter Cables for the final linkup, the KL1508A / KL1516A permits any combination of PCs, Macs, Sun computers, and serial devices to coexist on the installation.

These switches have been designed with unique and powerful features that enable administrators to manage their entire server room and data center devices easily and conveniently.

For example, the advanced Adapter ID feature stores the Adapter Cable's configuration information – such as its ID, port name, OS, keyboard language, etc. This feature allows administrators to relocate servers to different ports without having to reconfigure the adapters. Other advances found with these switches includes enhanced video quality – extending the distance to the servers to up to 50 m* at a resolution of 1280 x 1024.

A KL1508A or KL1516A installation provides one of the best and most economical solutions ATEN offers to the SMB market. There is no better way to save time, space, and money than with a KL1508A or KL1516A KVM switch.

*With KVM Adapter Cable KA7000 series, please see page 4 for details.

KL1508A



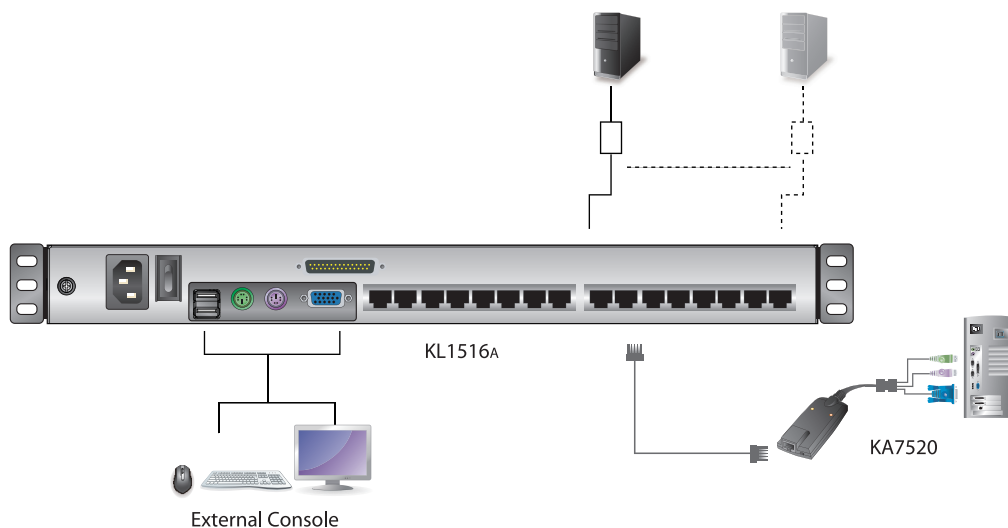
Features

- Exclusive LED illumination light – designed by ATEN to illuminate the keyboard and touchpad to allow visibility in low-light conditions
- Integrated KVM console with 17" or 19" LED-backlit LCD monitor in a Dual Rail housing
- A single console controls up to 8 (KL1508A) or 16 (KL1516A) computers
- Space-Saving RJ-45 connectors and Cat 5e/6 cabling
- KVM adapter cables* designed with automatic conversion to allow flexible interface combinations (PS/2, USB, Sun and serial) to control all computer types
- OSD tree structure makes finding and managing computers easy
- Conveniently located station and port selectors with LED displays to quickly switch to target computers
- Dual Rail housing is slightly less than 1U with top and bottom clearance for smooth operation in 1U of rack space
- Extra console port – manage computers in the LCD KVM switch from an external console (monitor, USB or PS/2 keyboard, and USB or PS/2 mouse)
- Supports external USB mouse
- Dual Rail – LCD monitor slides independently of the keyboard/touchpad
- LCD module rotates up to 120 degrees for a more comfortable viewing angle
- Console lock – enables the console drawer to remain securely locked away in position when not in use
- Dedicated Hotkey Mode and OSD Invocation Keys reduce the number of keystrokes and provide quick access to these functions
- Daisy chain up to 31 additional KVM switches to control up to 512 computers
- Auto Scan mode enables continuous monitoring of user-selected computers
- Multiplatform support: PC, Mac, Sun and Serial
- Superior Video Quality- Supports the video resolutions up to 1280x1024@75 Hz for up to 50 meters*
- Configure port access rights for users on a port - by - port basis
- Three port selection methods: Manual (via front panel pushbuttons), Hotkey, and multi-language OSD (On Screen Display)
- Multiple User Accounts – Supports up to 10 user and 1 administrator accounts
- Two-Level Password Security – Supports one administrator and ten user profiles. Strong password protection prevents unauthorized accessing to the installation
- LCD power button helps save energy and prolong displays' life
- Broadcast Mode sends commands from the console to all computers – allowing you to perform operations (such as software installation, upgrades, shutdowns, etc.), on them simultaneously
- Adapter ID
- Firmware Upgradeable

* With KVM Adapter Cable KA7000 series, please see page 4 for details.

Benefits

Flexibility	The LCD module rotates up to 120 degrees for a more comfortable viewing angle.
Easy Operation	Three port selection methods: Manual (via front panel pushbuttons), Hotkey, and multi-language OSD (On Screen Display). Multi-language keyboard support includes English(US); English(UK); French, German, German(Swiss), Greek, Hungarian, Italian, Japanese, Korean, Russian, Spanish, Swedish and Traditional Chinese.
Auto Scanning and Broadcast Mode	Auto scanning provides hands-free monitoring of selected devices at variable rates. Broadcast Mode sends commands from the console to all computers –allowing you to perform operations (such as software installation, upgrades, shutdowns, etc.), on them simultaneously
Superior Video Quality	Supports the video resolutions up to 1600x1200@60Hz for up to 40 meters, and 1280x1024@75Hz for up to 50 meters with the new ATEN KVM Cable Adapter KA7000 series.
Multiple User Accounts	Supports up to 10 user and 1 administrator accounts
Space-Saving RJ-45 Connectors and Cat 5e/6 Cabling	This space-saving innovation means that the KL1508A /KL1516A can be conveniently installed in a 1U system rack. Reduces cable clutter for a neat and tidy data center environment
Adapter Cables with ID	The KL1508A / KL1516A KVM series supports automatic ID recognition of the new ATEN KVM Cable Adapter KA7000 series. Using the new adapter cables with ID means it is not required to change cable configuration settings when moving cables from port to port. Device ID and attributes are stored in the adapter cables allowing you to hot-swap port connections without having to reconfigure attributes.



Optional

Single Person Easy Installation (Optional)

ATEN ALTUSEN LCD KVM Switches allow you to choose from a host of optional rack mount kits to meet your needs, including the Single Person Easy Installation Rack Mount Kit, which streamlines the rack mounting process. Normal rack mounting procedures call for at least two people to rack mount a KVM switch. The Single Person Easy Installation Rack Mount Kit enables one person to rack mount a LCD KVM Switch. In just a matter of minutes, your new LCD KVM Switch can go from the box to the rack.

Rack Mount Kits

For convenience and flexibility, there is one standard, and three optional rack mounting kits available:



	Rack Mount Kit	Depth (cm)
17" LCD / 19" LCD	Short (Standard)	42.0-77.0
17" LCD	2X-010G (Long/Optional)	68.0-105.0
19" LCD	2X-010G (Long/Optional)	68.0-105.0

	Easy Installation Rack Mount Kit	Depth (cm)
17" LCD	2X-011G (Short/Optional)	57.0-70.0
	2X-012G (Long/Optional)	68.0-105.0
19" LCD	2X-011G (Short/Optional)	63.0-70.0
	2X-012G (Long/Optional)	74.0-105.0

The following KVM Adapter Cables are required for use with the KL1508A / KL1516A:

Type:	PS/2	USB	PS/2	USB	Sun Legacy	Serial	USB	USB	USB
Interface:	6-pin Mini-DIN Male 6-pin Mini-DIN Male HDB-15 Male	USB Type A Male HDB-15 Male	6-pin Mini-DIN Male 6-pin Mini-DIN Male HDB-15 Male	USB Type A Male HDB-15 Male	13W3 Male DIN 8 pin Male	RS-232 DB-9 Female	USB Type A Male USB Type A Male DVI-D Male (Single Link)	USB Type A Male USB Type A Male HDMI Male	USB Type A Male USB Type A Male DisplayPort Male

Specifications

Function		KL1508A	KL1516A		
Computer Connections	Direct	8	16		
	Max	256 (via Daisy Chain)	512 (via Daisy Chain)		
Port Selection		OSD (On Screen Display); Hotkeys Pushbuttons			
Connectors	Console Ports	Keyboard	1 x 6-pin Mini-DIN Female (Purple); 1 x USB Type A Female (White)		
		Video	1 x HDB-15 Female (Blue)		
		Mouse	1 x 6-pin Mini-DIN Female (Green); 1 x USB Type A Female (White)		
	KVM Ports		8 x RJ-45 Female (Black)	16 x RJ-45 Female (Black)	
	Daisy Chain	Chain Out	1 x DB-25 Male (Black)		
	FW Upgrade		1 x RJ-11 Male (Black)		
	Power		1 x 3-Prong AC socket		
	External Mouse		1 x USB Type A (Female)		
Switches	Port Selection		8 x Pushbutton	16 x Pushbutton	
	KVM Reset		1 x Semi-recessed pushbutton		
	FW Upgrade		1 x Slide		
	Power		1 x Rocker		
	LCD Power		1 x Pushbutton		
	LCD Adjustment		4 x Pushbutton		
	Station		2 x Pushbutton		
LEDs	Port	On Line	8 (Green)	16 (Green)	
		Selected	8 (Orange)	16 (Orange)	
	Power		1 (Blue)		
	Station ID		1 x 2 Digit 7-segment (Orange)		
	Lock			1 x Num Lock (Green)	
				1 x Caps Lock (Green)	
		1 x Scroll Lock (Green)			
LCD Power		1 (Orange)			
Emulation	Keyboard / Mouse		PS/2; USB (PC, Mac, Sun); Serial		
Video		1280 x 1024@ 75 Hz (50 m)*			
Scan Interval		1-255 sec.			
I/P Rating		100-240 V AC; 50/60 Hz; 1A			
Power Consumption	17" LCD	100V/23.2W; 230V/24.4W	100V/24.5W; 230V/24.5W		
	19" LCD	100V/23W; 230V/23W	100V/23W; 230V/23W		
Environment	Operating Temp.		0-40° C		
	Storage Temp.		-20-60° C		
	Humidity		0-80% RH, Non-condensing		
Physical Properties	Housing		Metal		
	Weight	17" LCD	15.19 kg	15.20 kg	
		19" LCD	15.35 kg	15.36 kg	
	Dimensions (L x W x H)	17" LCD	48.00 x 70.12 x 4.40 cm	48.00 x 70.12 x 4.40 cm	
19" LCD		48.00 x 70.12 x 4.40 cm	48.00 x 70.12 x 4.40 cm		

* With KVM Adapter Cable KA7000 series, please see page 4 for details.

