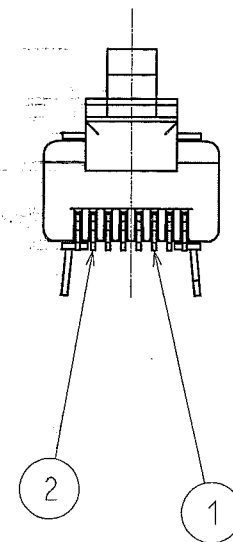
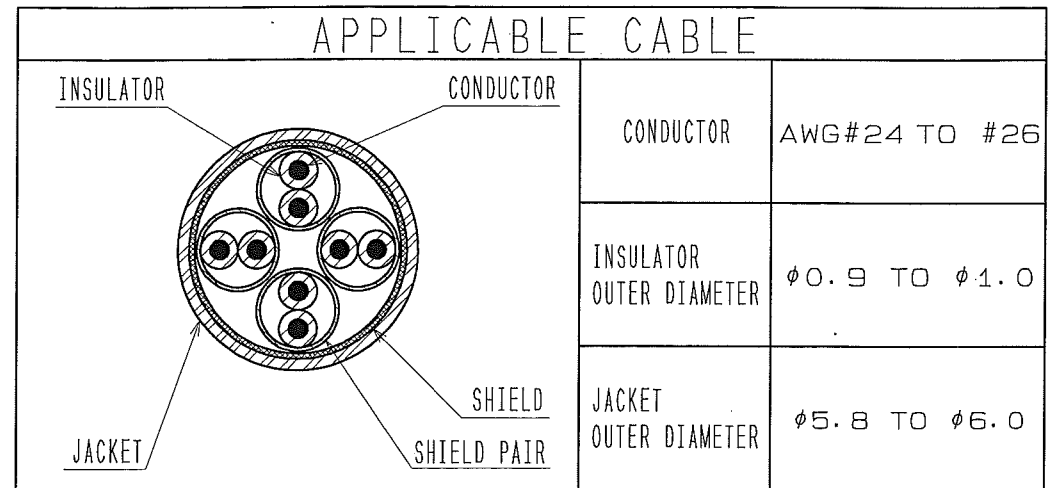
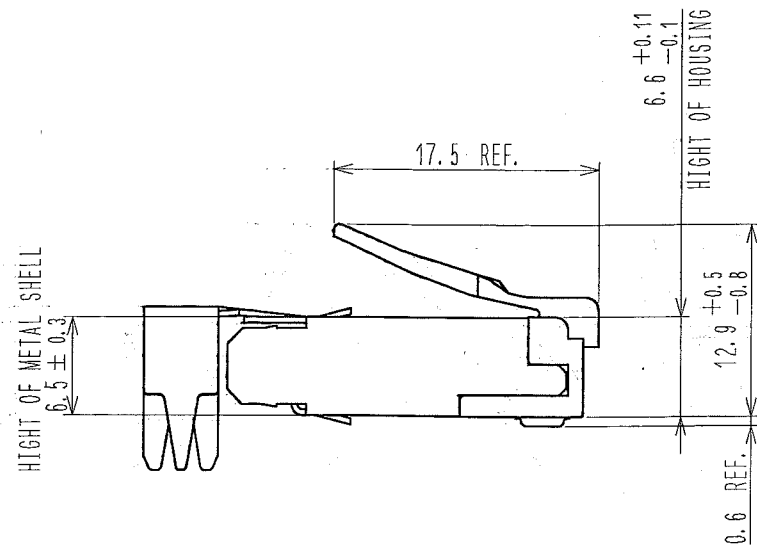
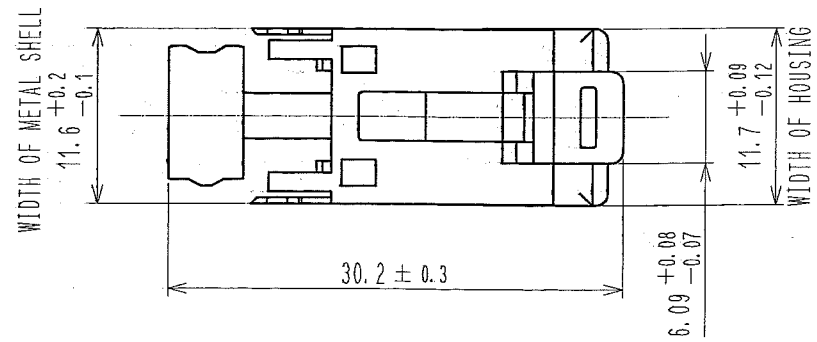
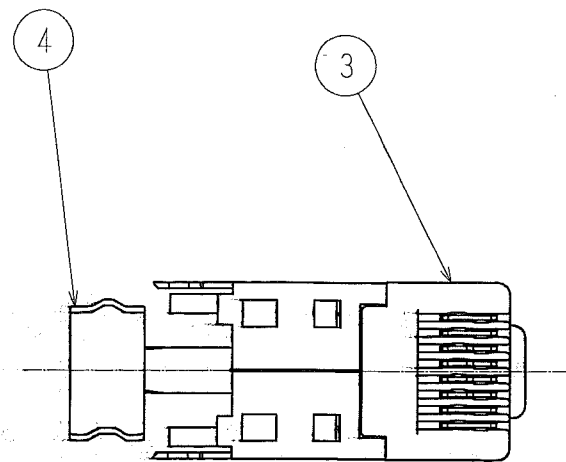
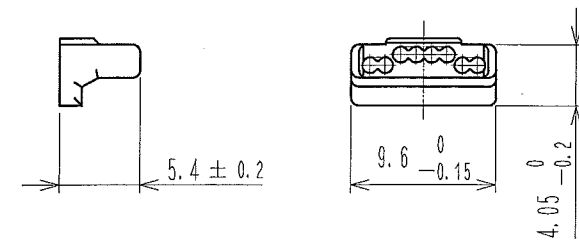


COUNT	DESCRIPTION OF REVISIONS	BY	CHKD	DATE	COUNT	DESCRIPTION OF REVISIONS	BY	CHKD	DATE
△				..	△				..
△				..	△				..
△				..	△				..



5 ATTACHED



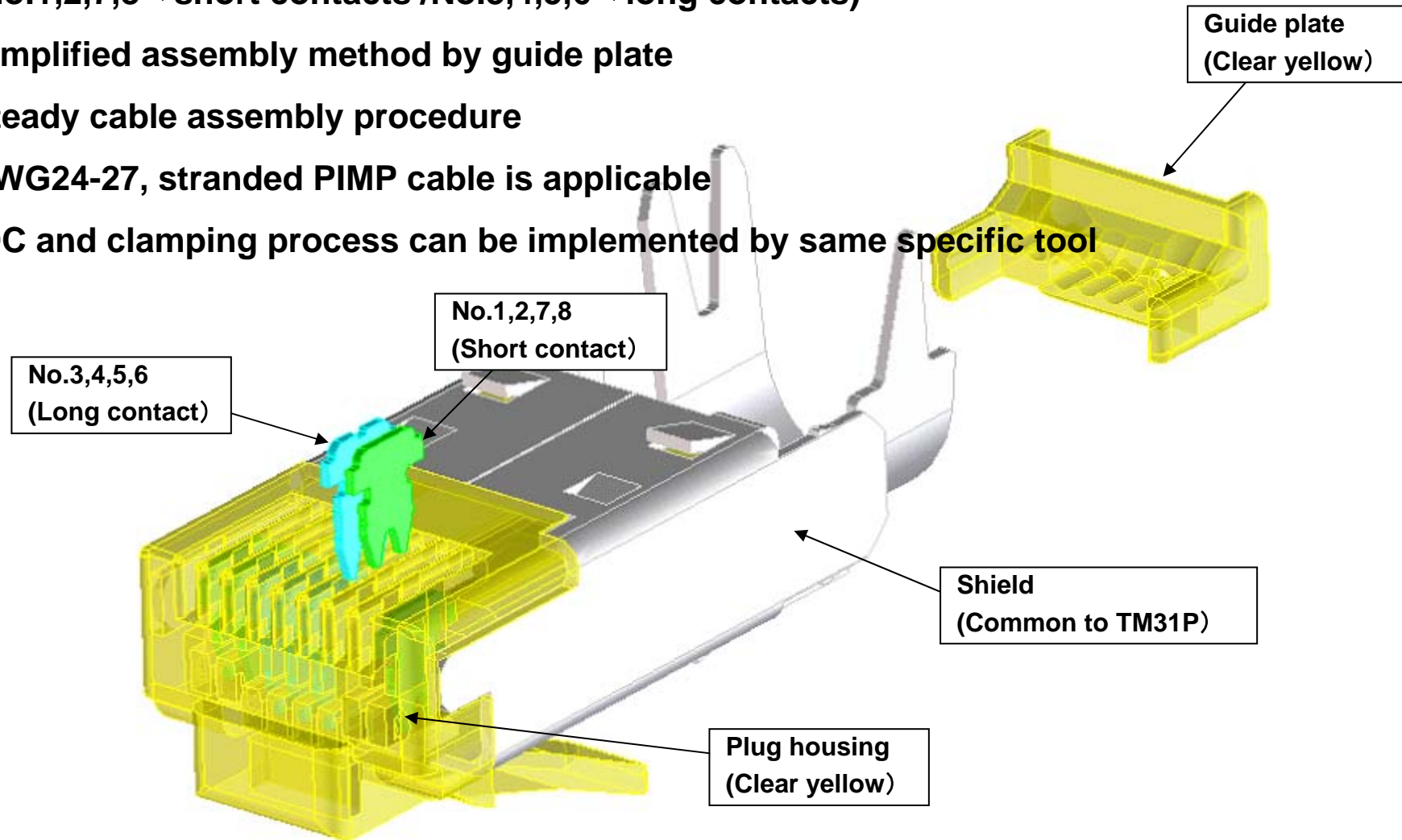
1~2	PHOSPHOR BRONZE	CONTACT: Au 1.27μm min OTHER: Au 0.03μm min UNDER: Ni 2μm min	4	POLYCARBONATE (CLEAR YELLOW)	
			3	STAINLESS STEEL Ni 0.5μm min	
			2	POLYCARBONATE (CLEAR YELLOW)	
NO.	MATERIAL	FINISH, REMARKS	NO.	MATERIAL	FINISH, REMARKS

CODE NO.(OLD)	DRAWN	DESIGNED	CHECKED	APPROVED	RELEASED
DRAWING FOR REFERENCE OR PRELIMINARIES	<i>M. Itano</i>	<i>M. Itano</i>	<i>H. Yamada</i>	<i>Y. Enomi</i>	ENG 08.7.18 DEPT
	'08.07.18	'08.07.18	'08.07.18	'08.07.18	
SCALE 2:1	DRAWING NO. TEDC3-123817	PART NO. TM31P-88P			
UNITS mm	HRS HIROSE ELECTRIC CO., LTD	CODE NO. CL222	1/1		

Plug : TM31P-TM-88P



1. Plug design satisfying CAT6a performance
(No.1,2,7,8⇒short contacts /No.3,4,5,6⇒long contacts)
2. Simplified assembly method by guide plate
3. Steady cable assembly procedure
4. AWG24-27, stranded PIMP cable is applicable
5. IDC and clamping process can be implemented by same specific tool



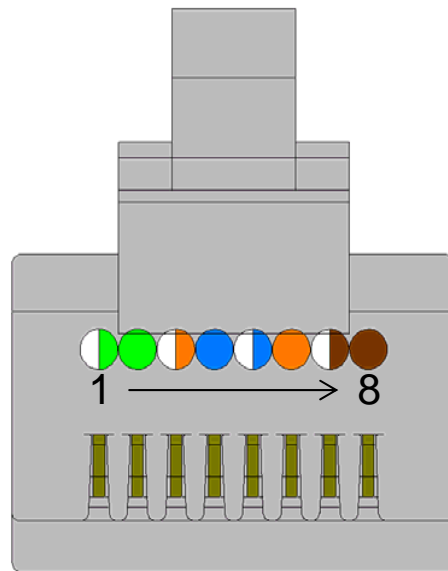
Plug : TM31P-TM-88P



Plug design satisfying CAT6a requirements

1) Unique contact arrangement

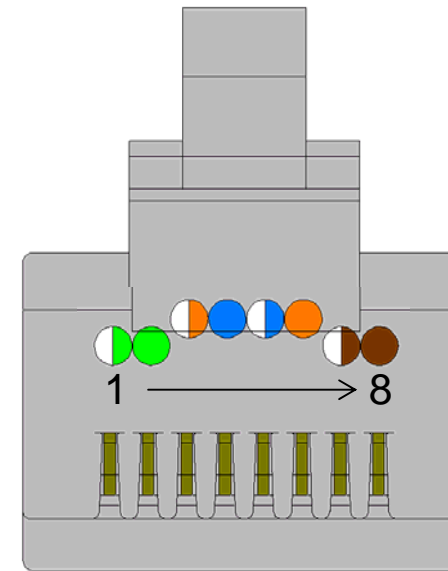
CAT6 Plug (TM21DP-TM-88P)



Limited performance due to the contact arrangement in a single row

Improved Transmission Characteristics

CAT6a Plug (TM31P-TM-88P)



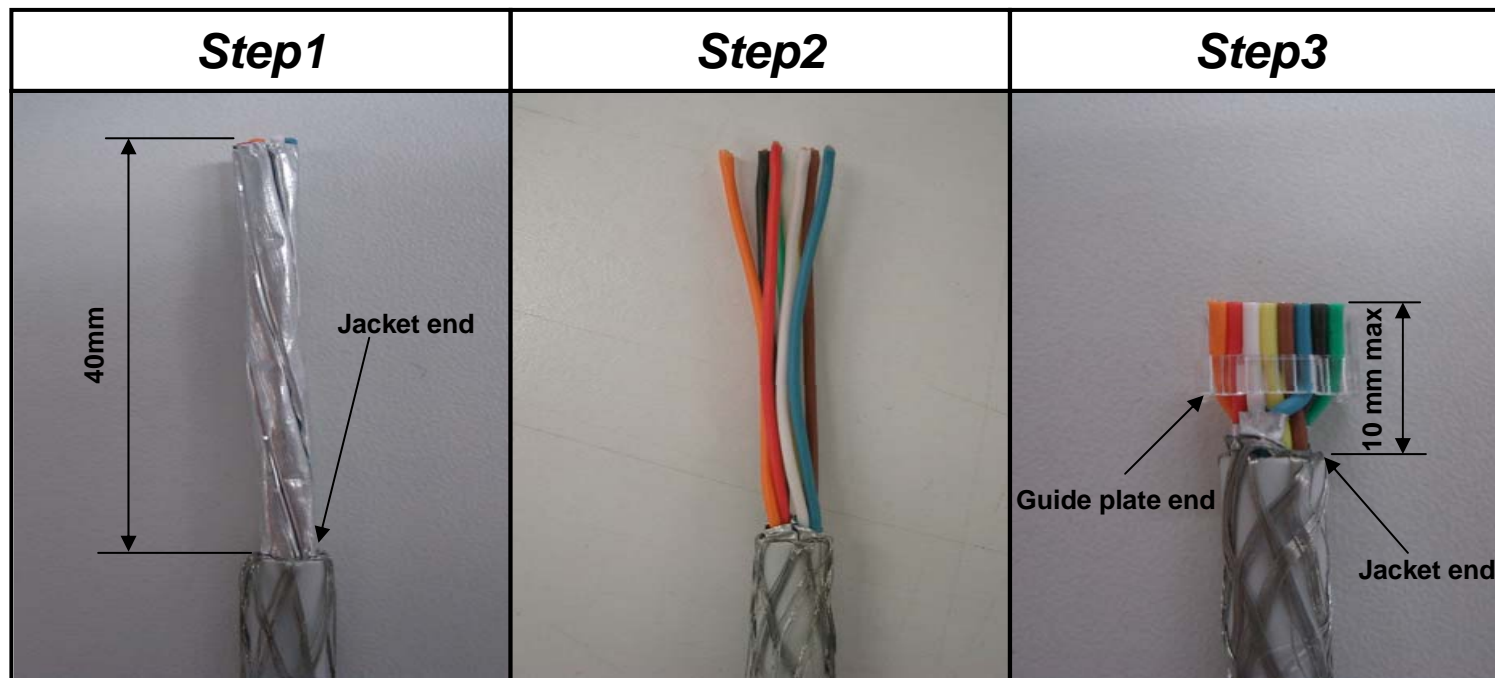
The contact arrangement in two rows makes performance improved (No3, 4, 5, 6 contacts are isolated from No1, 2, 7, 8 contacts)

Plug : TM31P-TM-88P



Cable assembly method to have CAT6a performance

Plug design makes it possible for users to lengthen jacket end and have steady CAT6a performance.

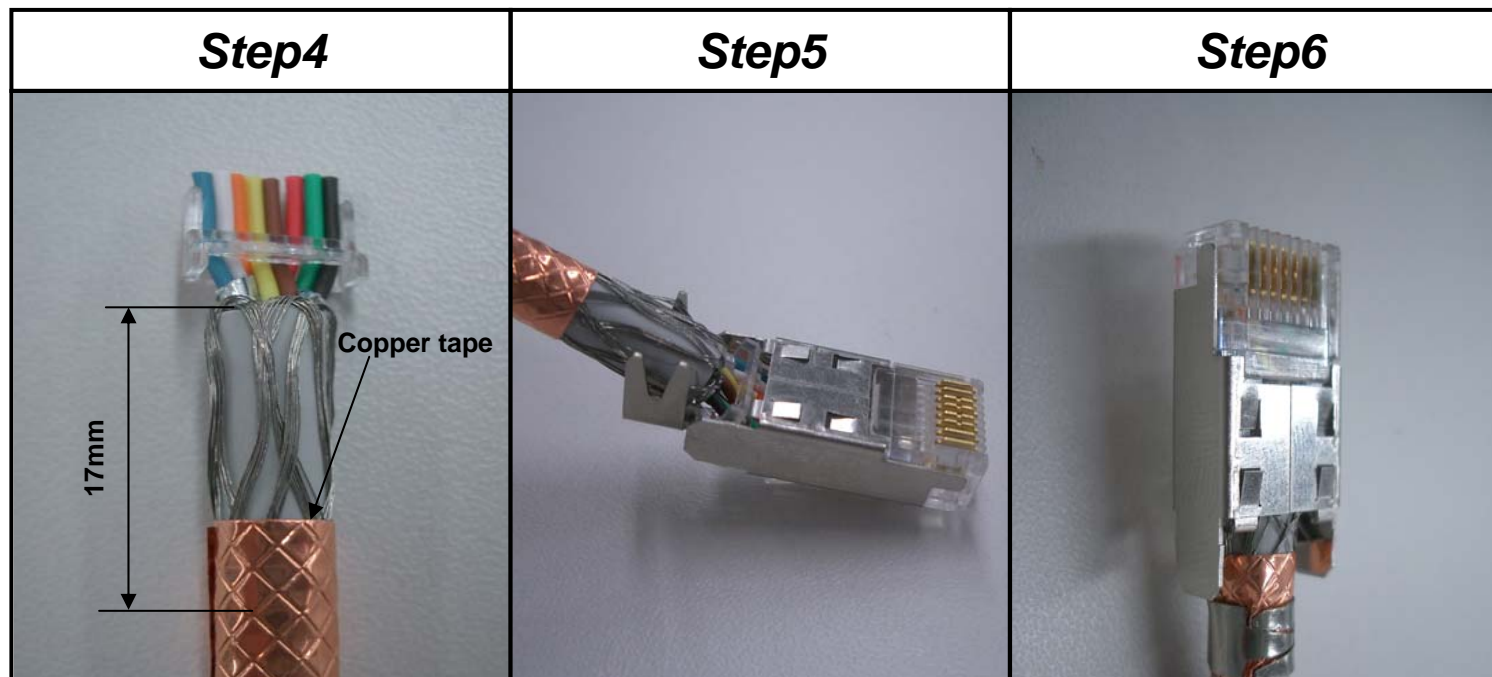


Plug : TM31P-TM-88P



Cable assembly method to have CAT6a performance

Plug design makes it possible for users to lengthen jacket end and have steady CAT6a performance.



Plug : TM31P-TM-88P

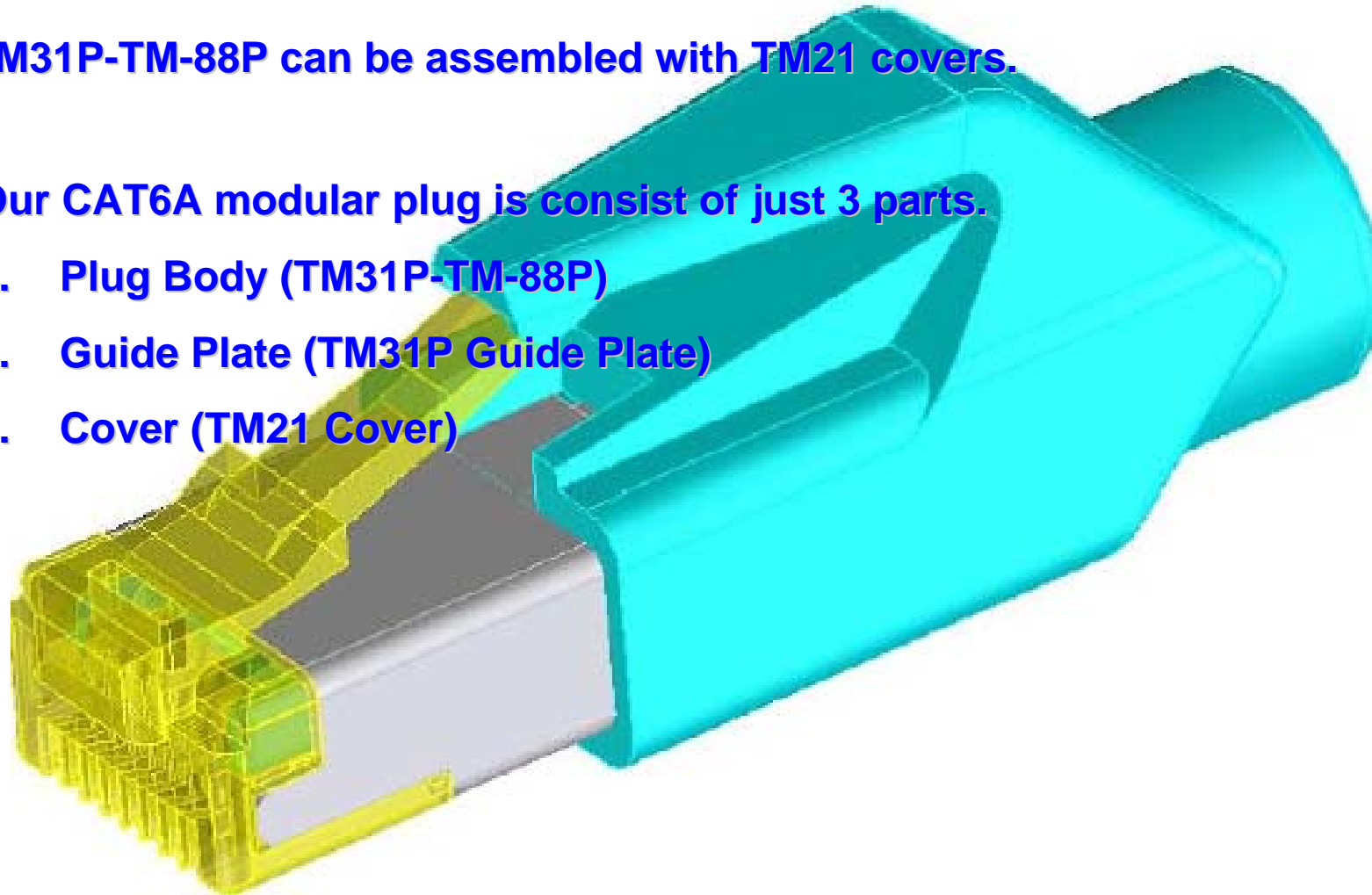


Outer Appearance of TM31P-TM-88P with cover

TM31P-TM-88P can be assembled with TM21 covers.

Our CAT6A modular plug is consist of just 3 parts.

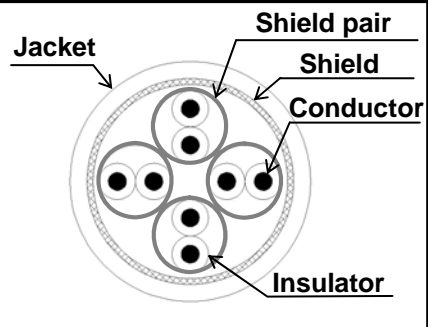
1. Plug Body (TM31P-TM-88P)
2. Guide Plate (TM31P Guide Plate)
3. Cover (TM21 Cover)



Plug : TM31P-TM-88P



Applicable Cable

	Conductor	AWG 24 stranded wire
		AWG 27 stranded wire
	O/D of Insulator	ϕ 0.9 to ϕ 1.0
	O/D of Jacket	ϕ 5.8 to ϕ 6.0

Cable Assembly Tool

Cable Assembly Tool of TM21DP-TM-88P
can be also used for TM31P-TM-88P



Plug : TM31P-TM-88P



CAT6a Performance Measurement : Plug single TM31P Model sample

Measurement Method : Direct Probe Method
Measurement Equipment : Network Analyzer
(Agilent E8357A)

Frequency : 10~500MHz

