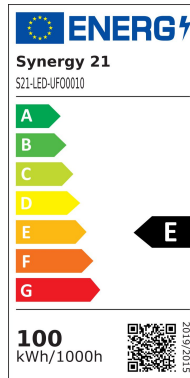


## Synergy 21 LED spot pendant luminaire UFO 100W for industry/warehouses nw 120°



kwh/1000h:	100,00
Lumens:	13500
Watt:	100,0
Nominal Service Life:	50000 Std.
Switching Cycles:	50000
Opt. Ambient Temperature.:	25 °C



AC 90-305V/50-60Hz  
Dimmable: no  
Power: 100 Watt  
Luminous flux: 13500 lm  
Efficiency: 135lm/W  
Beam angle: 120°  
CRI Ra: > 80  
Light colour: neutral white  
Kelvin: 4000K ± 10%  
Operating temperature: -40 to +55°C  
Protection class: IP65, IK10, "D" mark according to EN 60598-2-24  
Weight: 4.8kg  
Diameter: 260mm  
Complete height: 177.5mm

Energy efficiency class: A++  
kWh/1000h: 100

5 year guarantee  
IES files available on request

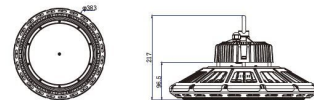
## Attributes

Attribute	Value
Abstrahlwinkel:	120
Betriebstemperatur:	-40 bis +55
CRI:	>80
Dimmbar:	nein
Grösse:	260*177,5
LED - Gehäusefarbe:	schwarz
LED - Gehäusematerial:	Aluminium
Lichtfarbe:	neutralweiß
Lichtfarbe in Kelvin:	4000
Lumen:	13500
Schutzklasse:	IP65, IK14
Volt:	230
Weight:	3.35 Kg
Warranty:	60.00 Months

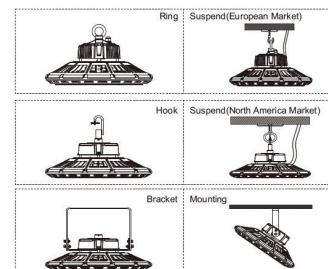
## Additional Images

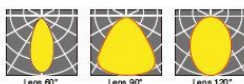


Dimension



Installation:



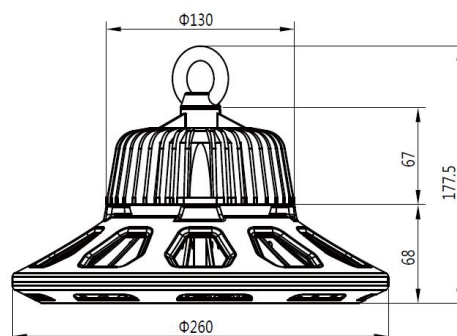


### Product Description

- 1, Compact and fasion design .Light weighted : 4.80kg
- 2, Philips 3030 LED as light source , CRI>80Ra
- 3, MEAN WELL HBG Series power supply . PF>0.95
- 4, High lumen efficiency : 135lm/w
- 5, 5 years warranty .

### Performance Summary

Input Power: 80W, 100W, 150W, 200W, 230W  
CRI: >70Ra/80Ra  
CCT: 3000k-6500K  
Input Voltage:90-305Vac  
Limited Warranty :5 years' warranty  
High Efficacy Lifetime: 50000hours  
Dimming:Non-dimmable & 1-10V Dimmable  
Working Temperature : - 20°C – +45 °C(Amb)



## Accessories

Part No.	Name
139690	Synergy 21 LED spot pendant light UFO add. Radar Kit S
142944	Synergy 21 LED spot pendant light UFO add. Wall bracket for UFO size S bracket long
142943	Synergy 21 LED spot pendant light UFO add. Wall bracket for UFO size S bracket short
144402	Synergy 21 LED spot pendant light UFO add. Ball cage S
148951	Synergy 21 LED spot pendant light UFO add. Lampshade S
148726	Synergy 21 - Waterproof connector 1:1

Part No.	Name
148727	Synergy 21 - Waterproof connector 1:2
148730	Synergy 21 - Waterproof connector box 3 ports
148729	Synergy 21 - Waterproof connector box 3 ports transparent
148728	Synergy 21 - Waterproof connector box 4 ports
134899	Synergy 21 Netzteil - Einschaltstrombegrenzer OSRAM
157359	Finder SSR relay (inrush current limiter)
157358	Finder installation contactor 25A (inrush current limiter)
158976	Finder dimmer for top-hat rail Master
158977	Finder dimmer for top-hat rail SLAVE
140646	Synergy 21 LED sensor 0-10V brightness sensor