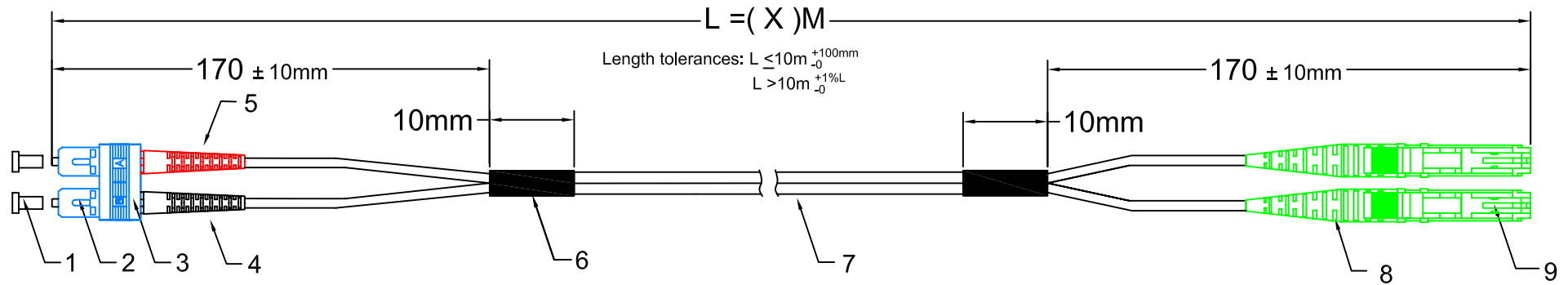


**SC/UPC - E2000/APC Duplex Jumper, I-V(ZN)H 02E 9/125μ  
OS2, LSZH Yellow Jacket, x meter**



**Specifications:**

1. Insertion Loss: < 0.3dB @1310nm  
Return Loss: > 55dB@1310nm;E2000/APC:> 65dB@1310nm
2. End surface test is according to OP-03-05001
3. Test standard: GR-326-CORE
4. Test report has to match the serial No.
5. RoHS compliant
6. Fiber cable according to IEC 60793-2
7. SC connector according to IEC 61754-4  
E2000 connector according to IEC 61754-15

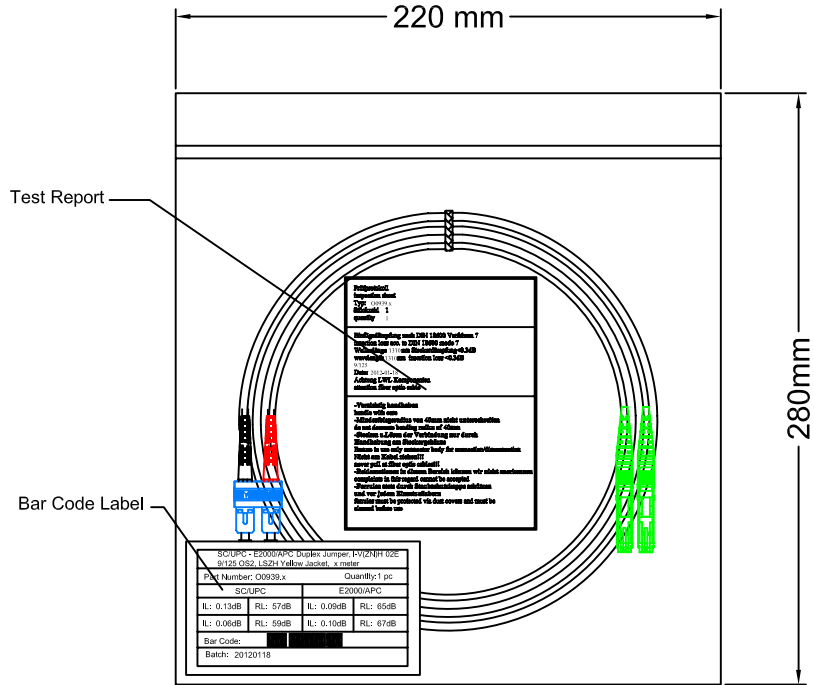
**RoHS  
compliant**

9	E2000/APC SM 3.0 connector,Green	2
8	E2000/APC 3.0 boot, green	2
7	Ø3.0mm SM duplex OS2 9/125μ LSZH Yellow cable	
6	Heat shrink tube, black	2
5	SC 3.0 boot, red	1
4	SC 3.0 boot, black	1
3	SC clip, blue	1
2	SC SM 3.0 connector, Blue	2
1	Dust cover	2
<b>Item</b>	<b>Description</b>	<b>Qty</b>

SC/UPC - E2000/APC Duplex Jumper, I-V(ZN)H 02E 9/125 OS2, LSZH Yellow Jacket, x meter	
Part No: O0939.x	
Drawing No:	Page :1 of 3

# Packing:


The corresponding label data for each cable assembly shall be affixed to the package



9# PE Bag(220mm x 280mm)

<b>Prüfprotokoll</b> <b>inspection sheet</b> Typ: O0939.x Stückzahl 1 quantity 1
Einfügedämpfung nach DIN 18600 Verfahren 7 insertion loss acc. to DIN 18600 mode 7 Wellenlänge 1310nm Steckerdämpfung<0.3dB wavelength 1310nm insertion loss <0.3dB 9/125 Date: 2012-01-18 Achtung LWL Komponenten attention fiber optic cable
-Vorsichtig handhaben handle with care -Mindestbiegeradius von 40mm nicht unterschreiten do not decrease bending radius of 40mm -Stecken u. Lösen der Verbindung nur durch Handhabung am Steckergehäuse Ensure to use only connector body for connection/disconnection Nicht am Kabel ziehen!!! never pull at fiber optic cables!!! -Reklamationen in diesem Bereich können wir nicht anerkennen complaints in this regard cannot be accepted -Ferrulen stets durch Staubschutzkappe schützen und vor jedem Einsatz säubern ferrules must be protected via dust covers and must be cleaned before use

Test Report

SC/UPC - E2000/APC Duplex Jumper, I-V(ZN)H 02E 9/125 OS2, LSZH Yellow Jacket, x meter			
Part Number: O0939.x		Quantity:1 pc	
SC/UPC		E2000/APC	
IL: 0.13dB	RL: 57dB	IL: 0.09dB	RL: 65dB
IL: 0.06dB	RL: 59dB	IL: 0.10dB	RL: 67dB
Bar Code: 			
Batch: 20120118			

Bar Code Label(100mmx60mm)

**RoHS  
compliant**

SC/UPC - E2000/APC Duplex Jumper, I-V(ZN)H 02E 9/125 OS2, LSZH Yellow Jacket, x meter	
Part No: O0939.x	
Drawing No:	Page :2 of 3

# Indoor Cable Series ( Duplex)

## 1. Characteristics

- . Aramid yarn strength member ensures tension resistance and long term stability in transmission
- . Figure 8 structure jacket facilitate embranchment
- . Small outer diameter, lightweight
- . Flame-retardant jacket, halogenfree
- . Low attenuation

## 2.Applications

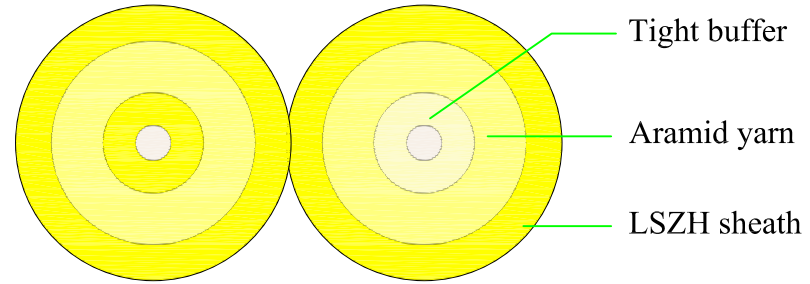
- .Installation in conduits and shafts
- .Indoor distribution
- .Jumper and adapter cable
- .Connecting workstations inside buildings(FTTD)

## 3.Temperature Range

-20°C up to +70°C

## 4.Fiber Optic Cable Performance

- .Number of fibers: 2
- .Outer diameter: 2.8x5.7 mm
- .Nominal weight: 13.2 kg / km
- .Max. tension: 300 N (short - term)  
160 N (long - term)
- .Min. Bending Radius: 20 H (Dynamic)  
10 H (Static)
- .Max . Crush Resistance (N/100 mm<sup>2</sup>):1000
- .Complies with TIA/EIA-568 B.3 & Bellcore GR-409-CORE & OFNR-UL/CSA FT-4
- .Maximum Attenuation: ≤ 0.4dB @Full spectrum
- .Dispersion Coefficient: ≤ 3.0ps/(nm.km) @1310nm  
≤ 18ps/(nm.km) @1550nm



**RoHS  
compliant**

## 5.Cable Specification

- .Fiber type: Singlemode 9/125μ m OS2
- .Yellow jacket , LSZH

SC/UPC - E2000/APC Duplex Jumper, I-V(ZN)H 02E 9/125 OS2, LSZH Yellow Jacket, x meter	
Part No: O0939.x	
Drawing No:	Page :3 of 3